

# UMK-BE 11,25 GY - Base element

2973070

<https://www.phoenixcontact.com/us/products/2973070>

Please be informed that the data shown in this PDF document is generated from our online catalog. Please find the complete data in the user documentation. Our general terms of use for downloads are valid.



Electronic board base, plug-in module base element

The figure shows a combination of versions UMK SE 11,25, UMK BE 11,25,- 22,5, - 45 and UMK-FE, in green

## Commercial data

Item number	2973070
Packing unit	10 pc
Minimum order quantity	1,000 pc
Product key	ACHDCA
GTIN	4017918249359
Weight per piece (including packing)	4.65 g
Weight per piece (excluding packing)	4.65 g
Country of origin	PL

# UMK-BE 11,25 GY - Base element

2973070

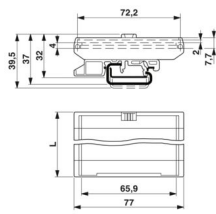
<https://www.phoenixcontact.com/us/products/2973070>

## Technical data

### Product properties

Product type	Lower housing part
Housing type	Panel mounting base
Product family	UMK BE
Type	Module width 11.25 mm, since the housing can remain open at the top, it is possible for parts to protrude above the actual profile height

### Dimensions

Dimensional drawing	
Width	33.75 mm
Length	77 mm

### Material specifications

Color	gray
Flammability rating according to UL 94	V2
Housing material	PA

### Environmental and real-life conditions

#### Ambient conditions

Ambient temperature (operation)	-40 °C ... 105 °C
---------------------------------	-------------------

# UMK-BE 11,25 GY - Base element

2973070

<https://www.phoenixcontact.com/us/products/2973070>

## Drawings



# UMK-BE 11,25 GY - Base element



2973070

<https://www.phoenixcontact.com/us/products/2973070>

## Environmental product compliance

### EU RoHS

Fulfills EU RoHS substance requirements	Yes, No exemptions
---	--------------------

### China RoHS

Environment friendly use period (EFUP)	EFUP-E
	No hazardous substances above the limits

### EU REACH SVHC

REACH candidate substance (CAS No.)	No substance above 0.1 wt%
-------------------------------------	----------------------------

Phoenix Contact 2026 © - all rights reserved  
<https://www.phoenixcontact.com>

Phoenix Contact USA  
586 Fulling Mill Road  
Middletown, PA 17057, United States  
(+717) 944-1300  
[info@phoenixcon.com](mailto:info@phoenixcon.com)