

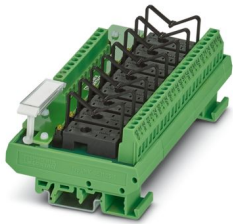
# UMK- 8 RM110DC/MKDS - Multiple relay module



2972945

<https://www.phoenixcontact.com/us/products/2972945>

Please be informed that the data shown in this PDF document is generated from our online catalog. Please find the complete data in the user documentation. Our general terms of use for downloads are valid.



VARIOFACE module, for 8 plug-in miniature relays or miniature optocouplers, with LED, 110 V DC input voltage

## Commercial data

|                                      |                                |
|--------------------------------------|--------------------------------|
| Item number                          | 2972945                        |
| Packing unit                         | 1 pc                           |
| Note                                 | Made to order (non-returnable) |
| Sales key                            | C460                           |
| Product key                          | DK6164                         |
| GTIN                                 | 4017918088873                  |
| Weight per piece (including packing) | 250.42 g                       |
| Weight per piece (excluding packing) | 218.94 g                       |
| Customs tariff number                | 85364900                       |
| Country of origin                    | DE                             |

# UMK- 8 RM110DC/MKDS - Multiple relay module



2972945

<https://www.phoenixcontact.com/us/products/2972945>

## Technical data

### Notes

#### Utilization restriction

|          |   |
|----------|---|
| EMC note | EMC: class A product, see manufacturer's declaration in the download area |
|----------|---|

### Product properties

|                       |  |
|-----------------------|--|
| Product type          | Multi-channel relay module                 |
| No. of channels       | 8  |
| Compatible components | Miniature relays or miniature optocouplers |
| With components       | no   |

#### Insulation characteristics

|                      |     |
|----------------------|-----|
| Overvoltage category | III |
| Pollution degree     | 2   |

### Electrical properties

|                          |  |
|--------------------------|--|
| Rated insulation voltage | 260 V AC   |
| Rated surge voltage      | 4 kV (Basic insulation between output contact current paths)<br>6 kV (Safe isolation and reinforced insulation between input circuit and output contact paths) |

### Input data

|   |  |
|---|--|
| Nominal input voltage $U_N$               | 110 V DC   |
| Input voltage range in reference to $U_N$ | 0.8 ... 1.1  |
| Typical input current at $U_N$            | 2 mA (LED display)   |
| Protective circuit                        | Freewheeling diode; Freewheeling diode<br>Reverse polarity protection; Polarity protection diode |
| Operating voltage display                 | Yellow LED   |
| Status display/channel                    | Yellow LED   |

### Output data

|                       |  |
|-----------------------|--|
| Compatible components | Miniature relays or miniature optocouplers |
|-----------------------|--|

#### Switching

|  |                      |
|--|----------------------|
| Contact switching type                       | 1 changeover contact |
| Maximum switching voltage                    | 250 V AC/DC          |
| Limiting continuous current                  | 5 A                  |
| Maximum inrush current                       | 8 A                  |
| Error detection (line break / short-circuit) | no                   |

### Connection data

#### Input

# UMK- 8 RM110DC/MKDS - Multiple relay module



2972945

<https://www.phoenixcontact.com/us/products/2972945>

|                                  |   |
|----------------------------------|---|
| Connection method                | Screw connection                            |
| Stripping length                 | 8 mm  |
| Screw thread                     | M3  |
| Number of connections            | 1   |
| Number of positions              | 12  |
| Conductor cross-section rigid    | 0.2 mm <sup>2</sup> ... 4 mm <sup>2</sup>   |
| Conductor cross-section flexible | 0.2 mm <sup>2</sup> ... 2.5 mm <sup>2</sup> |
| Conductor cross-section AWG      | 24 ... 12                                   |

## Output

|                                  |   |
|----------------------------------|---|
| Connection method                | Screw connection                            |
| Stripping length                 | 8 mm  |
| Screw thread                     | M3  |
| Number of connections            | 24  |
| Number of positions              | 3   |
| Conductor cross-section rigid    | 0.2 mm <sup>2</sup> ... 4 mm <sup>2</sup>   |
| Conductor cross-section flexible | 0.2 mm <sup>2</sup> ... 2.5 mm <sup>2</sup> |
| Conductor cross-section AWG      | 24 ... 12                                   |

## Signaling

|                        |     |
|------------------------|-----|
| Status display present | yes |
|------------------------|-----|

## Dimensions

|        |        |
|--------|--------|
| Width  | 135 mm |
| Height | 77 mm  |
| Depth  | 59 mm  |

## Material specifications

|       |                  |
|-------|------------------|
| Color | green (RAL 6021) |
|-------|------------------|

## Environmental and real-life conditions

### Ambient conditions

|   |                  |
|---|------------------|
| Degree of protection                    | IP20             |
| Ambient temperature (operation)         | -20 °C ... 50 °C |
| Ambient temperature (storage/transport) | -20 °C ... 70 °C |

## Standards and regulations

|                       |              |
|-----------------------|--------------|
| Standards/regulations | DIN EN 50178 |
|                       | IEC 60664    |

## Mounting

|                   |                   |
|-------------------|-------------------|
| Mounting type     | DIN rail mounting |
| Mounting position | any               |

# UMK- 8 RM110DC/MKDS - Multiple relay module

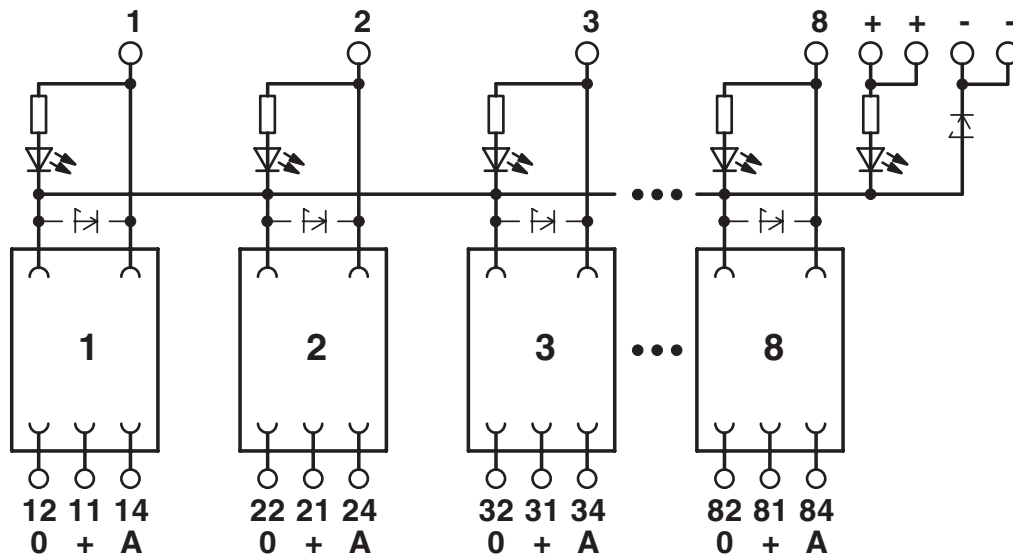


2972945

<https://www.phoenixcontact.com/us/products/2972945>

## Drawings

Circuit diagram



Phoenix Contact 2026 © - all rights reserved  
<https://www.phoenixcontact.com>

Phoenix Contact USA  
586 Fulling Mill Road  
Middletown, PA 17057, United States  
(+717) 944-1300  
[info@phoenixcon.com](mailto:info@phoenixcon.com)