

# UMK-16 OM-R/PF/MKDS - Optocoupler module



2972783

<https://www.phoenixcontact.com/us/products/2972783>

Please be informed that the data shown in this PDF document is generated from our online catalog. Please find the complete data in the user documentation. Our general terms of use for downloads are valid.



Interface module, with plug-in socket for 16 solid-state relays, with security latch, with screw connection, with light indicator and fuse, control logic: minus switching

The figure shows a version for 16 pluggable digital I/O modules, or SOLID-state relays

## Commercial data

Item number	2972783
Packing unit	1 pc
Note	Made to order (non-returnable)
Sales key	C460
Product key	DK61E3
GTIN	4017918088743
Weight per piece (including packing)	654.2 g
Weight per piece (excluding packing)	549.6 g
Customs tariff number	85369010
Country of origin	DE

# UMK-16 OM-R/PF/MKDS - Optocoupler module



2972783

<https://www.phoenixcontact.com/us/products/2972783>

## Technical data

### Product properties

Product type	Solid-state relay module
No. of channels	16
Compatible components	Digital I/O modules
With components	no

### Input data

Input voltage range	4 V ... 32 V
Typical input current at $U_N$	30 mA (Optocoupler dependent)
Status display/channel	Yellow LED

### Output data

Compatible components	Digital I/O modules
-----------------------	---------------------

### Switching

Limiting continuous current	5 A (Optocoupler dependent)
Nominal supply voltage	125 V
Error detection (line break / short-circuit)	no

## Connection data

### Input

Connection method	Screw connection
Stripping length	8 mm
Screw thread	M3
Number of connections	2
Number of positions	20
Conductor cross-section rigid	0.2 mm <sup>2</sup> ... 4 mm <sup>2</sup>
Conductor cross-section flexible	0.2 mm <sup>2</sup> ... 2.5 mm <sup>2</sup>
Conductor cross-section AWG	24 ... 12

### Output

Connection method	Screw connection
Stripping length	8 mm
Screw thread	M3
Number of connections	32
Number of positions	3
Conductor cross-section rigid	0.2 mm <sup>2</sup> ... 6 mm <sup>2</sup>
Conductor cross-section flexible	0.2 mm <sup>2</sup> ... 4 mm <sup>2</sup>
Conductor cross-section AWG	24 ... 10

## Signaling

Status display present	yes
------------------------	-----

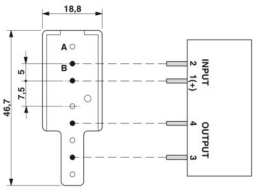
# UMK-16 OM-R/PF/MKDS - Optocoupler module



2972783

<https://www.phoenixcontact.com/us/products/2972783>

## Dimensions

Dimensional drawing	
Width	326.5 mm
Height	77 mm
Depth	72 mm

## Material specifications

Color	green (RAL 6021)
Housing insulation material	PVC, side panel PA non-reinforced,

## Environmental and real-life conditions

### Ambient conditions

Ambient temperature (operation)	-20 °C ... 50 °C
Ambient temperature (storage/transport)	-20 °C ... 70 °C

## Standards and regulations

Standards/regulations	DIN VDE 0110b, Gr. C for 250 V DC
	DIN VDE 0160 (in relevant parts)

## Mounting

Assembly note	in rows with zero spacing
Mounting position	any

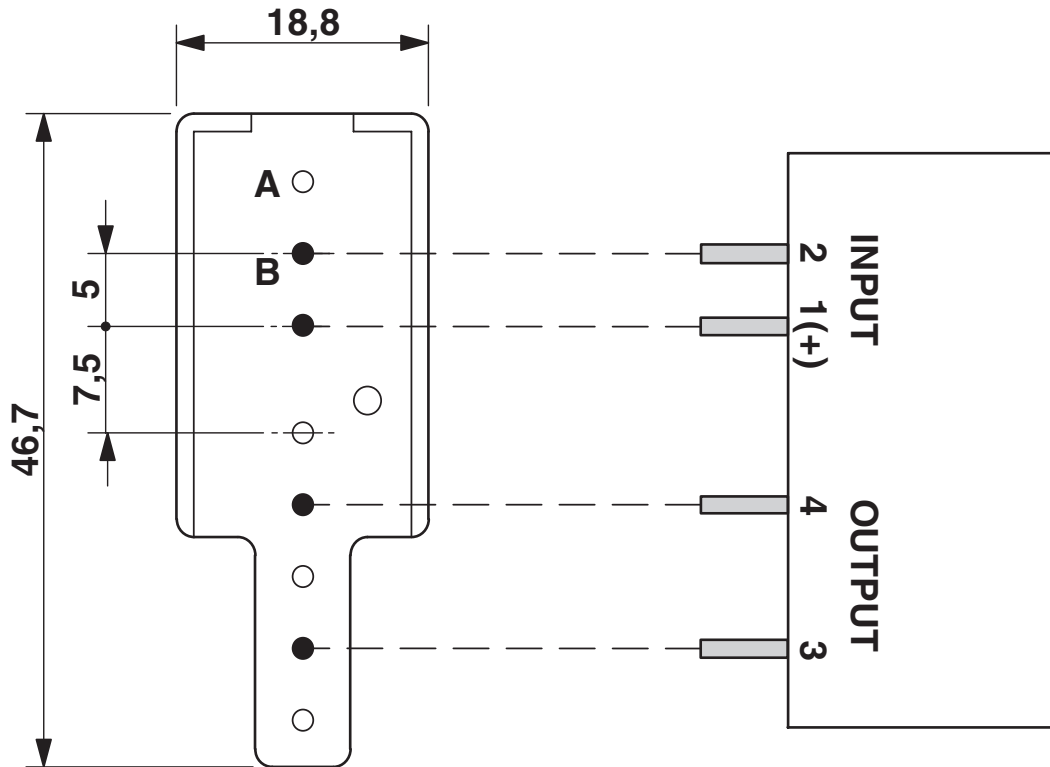
# UMK-16 OM-R/PF/MKDS - Optocoupler module

2972783

<https://www.phoenixcontact.com/us/products/2972783>

## Drawings

Dimensional drawing



A = without metal  
B = with metal

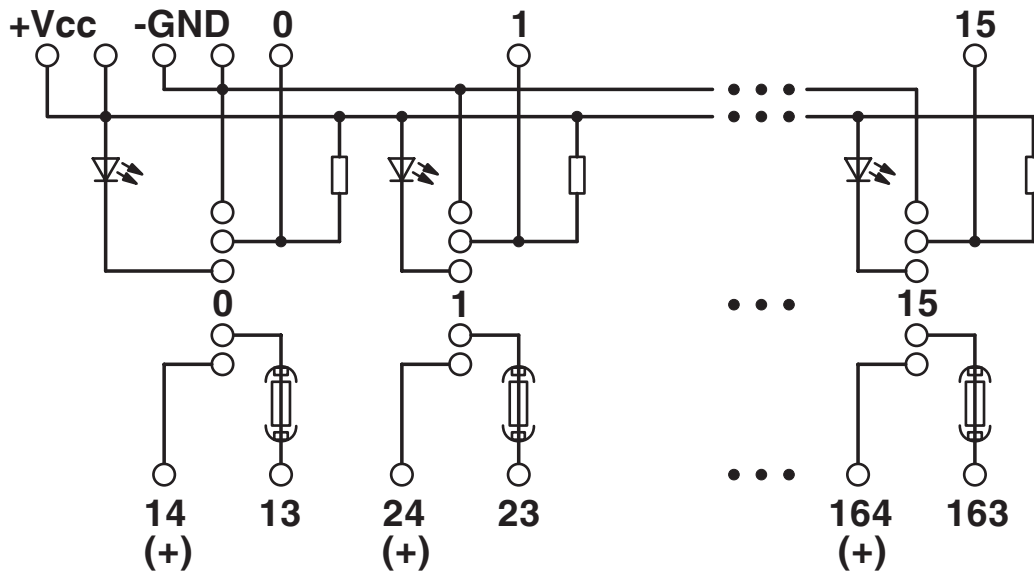
# UMK-16 OM-R/PF/MKDS - Optocoupler module



2972783

<https://www.phoenixcontact.com/us/products/2972783>

Circuit diagram



Control logic: Minus switching

# UMK-16 OM-R/PF/MKDS - Optocoupler module



2972783

<https://www.phoenixcontact.com/us/products/2972783>

## Environmental product compliance

EU REACH SVHC

REACH candidate substance (CAS No.)	
-------------------------------------	--

	No substance above 0.1 wt%
--	----------------------------

Phoenix Contact 2026 © - all rights reserved

<https://www.phoenixcontact.com>

Phoenix Contact USA  
586 Fulling Mill Road  
Middletown, PA 17057, United States  
(+717) 944-1300  
[info@phoenixcon.com](mailto:info@phoenixcon.com)