

UMK- 8 OM-R/MF/MKDS/P - Optocoupler module



2972699

<https://www.phoenixcontact.com/us/products/2972699>

Please be informed that the data shown in this PDF document is generated from our online catalog. Please find the complete data in the user documentation. Our general terms of use for downloads are valid.

Interface module, with plug-in socket for 8 solid-state relays, with security latch, with screw connection, with light indicator and fuse, control logic: plus switching



Your advantages

- Status indicator
- Integrated fuse for line protection
- Can be fitted with solid-state relays or I/O modules

Commercial data

| | |
|--------------------------------------|--------------------------------|
| Item number | 2972699 |
| Packing unit | 1 pc |
| Note | Made to order (non-returnable) |
| Sales key | C460 |
| Product key | DK61E3 |
| GTIN | 4017918088651 |
| Weight per piece (including packing) | 332.2 g |
| Weight per piece (excluding packing) | 332.2 g |
| Customs tariff number | 85369010 |
| Country of origin | DE |

UMK- 8 OM-R/MF/MKDS/P - Optocoupler module



2972699

<https://www.phoenixcontact.com/us/products/2972699>

Technical data

Product properties

| | |
|-----------------------|--|
| Product type | Multi-channel solid-state relay module |
| No. of channels | 8 |
| Compatible components | Digital I/O modules |
| With components | no |

Input data

| | |
|--------------------------------|-------------------------------|
| Input voltage range | 4 V ... 32 V |
| Typical input current at U_N | 30 mA (Optocoupler dependent) |
| Operating voltage display | Yellow LED |
| Status display/channel | Yellow LED |

Output data

| | |
|-----------------------|---------------------|
| Compatible components | Digital I/O modules |
|-----------------------|---------------------|

Switching

| | |
|--|-----------------------------|
| Limiting continuous current | 4 A (Optocoupler dependent) |
| Error detection (line break / short-circuit) | no |

Connection data

Input

| | |
|----------------------------------|---|
| Connection method | Screw connection |
| Stripping length | 8 mm |
| Screw thread | M3 |
| Number of connections | 2 |
| Number of positions | 12 |
| Conductor cross-section rigid | 0.2 mm ² ... 4 mm ² |
| Conductor cross-section flexible | 0.2 mm ² ... 2.5 mm ² |
| Conductor cross-section AWG | 24 ... 12 |

Output

| | |
|----------------------------------|---|
| Connection method | Screw connection |
| Stripping length | 8 mm |
| Screw thread | M3 |
| Number of connections | 16 |
| Number of positions | 3 |
| Conductor cross-section rigid | 0.2 mm ² ... 6 mm ² |
| Conductor cross-section flexible | 0.2 mm ² ... 4 mm ² |
| Conductor cross-section AWG | 24 ... 10 |

Signaling

| | |
|------------------------|-----|
| Status display present | yes |
|------------------------|-----|

UMK- 8 OM-R/MF/MKDS/P - Optocoupler module



2972699

<https://www.phoenixcontact.com/us/products/2972699>

Dimensions

| | |
|---------------------|--------|
| Dimensional drawing | |
| Width | 180 mm |
| Height | 77 mm |
| Depth | 72 mm |

Material specifications

| | |
|-----------------------------|------------------------------------|
| Color | green (RAL 6021) |
| Housing insulation material | PVC, side panel PA non-reinforced, |

Environmental and real-life conditions

Ambient conditions

| | |
|---|------------------|
| Ambient temperature (operation) | -20 °C ... 50 °C |
| Ambient temperature (storage/transport) | -20 °C ... 70 °C |

Standards and regulations

| | |
|-----------------------|-----------------------------------|
| Standards/regulations | DIN VDE 0110b, Gr. C for 250 V DC |
| | DIN VDE 0160 (in relevant parts) |

Mounting

| | |
|-------------------|---------------------------|
| Mounting type | DIN rail mounting |
| Assembly note | in rows with zero spacing |
| Mounting position | any |

UMK- 8 OM-R/MF/MKDS/P - Optocoupler module

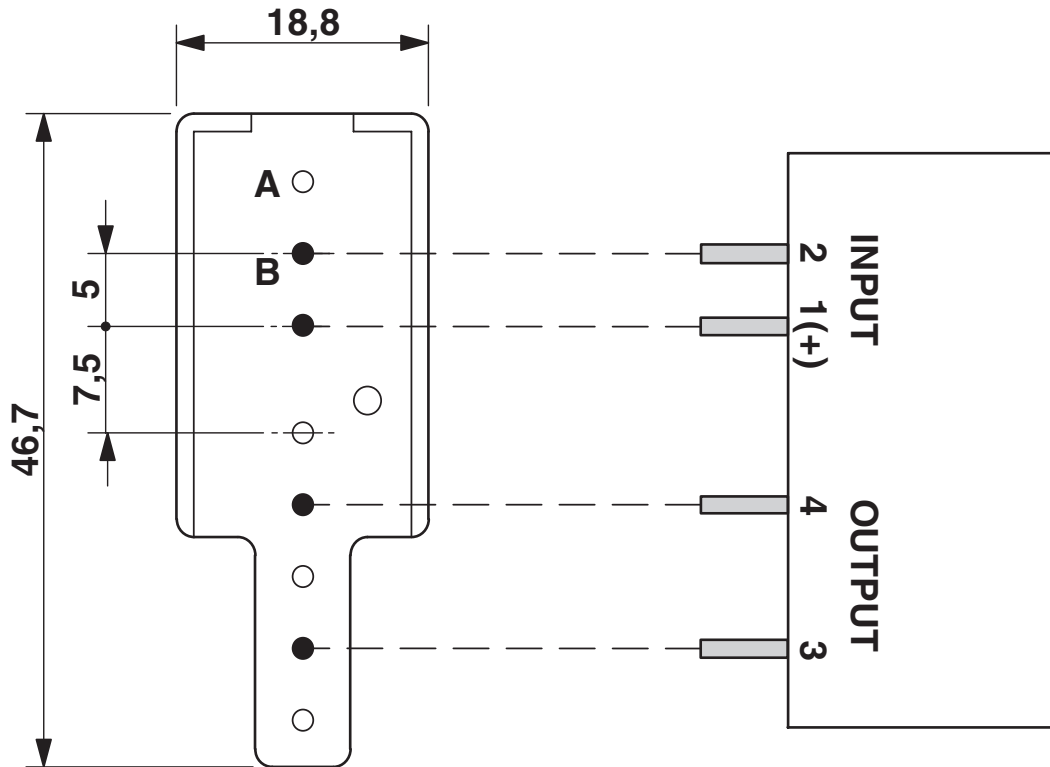


2972699

<https://www.phoenixcontact.com/us/products/2972699>

Drawings

Dimensional drawing



A = without metal
B = with metal

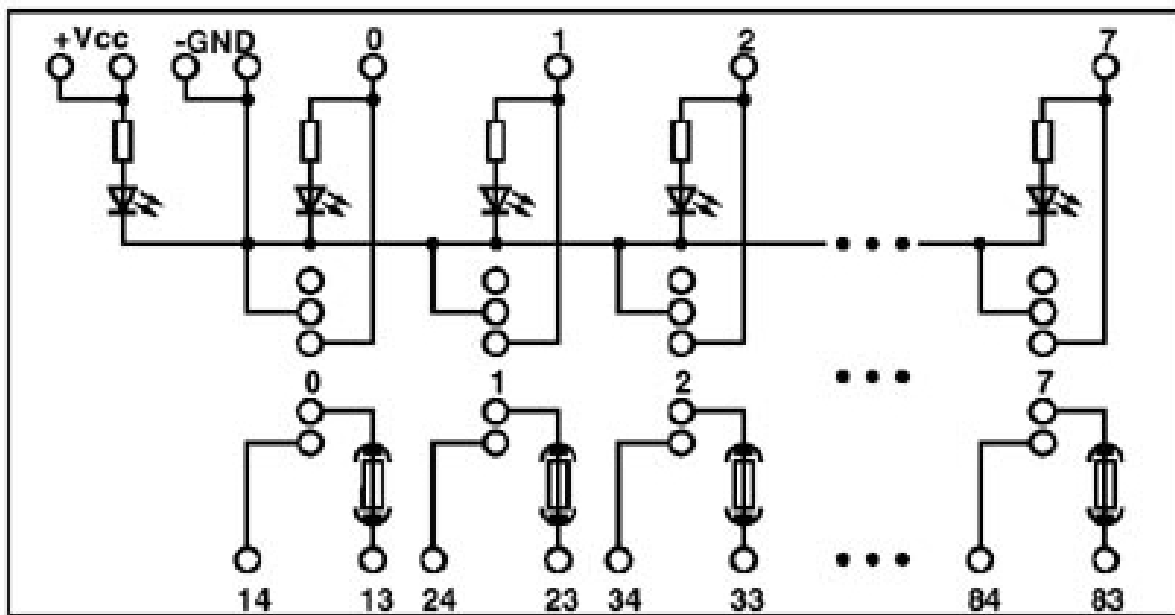
UMK- 8 OM-R/MF/MKDS/P - Optocoupler module



2972699

<https://www.phoenixcontact.com/us/products/2972699>

Circuit diagram



Control logic: Plus switching

UMK- 8 OM-R/MF/MKDS/P - Optocoupler module



2972699

<https://www.phoenixcontact.com/us/products/2972699>

Classifications

UNSPSC

| | |
|-------------|----------|
| UNSPSC 21.0 | 39122335 |
|-------------|----------|

UMK- 8 OM-R/MF/MKDS/P - Optocoupler module



2972699

<https://www.phoenixcontact.com/us/products/2972699>

Environmental product compliance

EU RoHS

| | |
|---|------|
| Fulfills EU RoHS substance requirements | Yes |
| Exemption | 6(c) |

China RoHS

| | |
|--|---|
| Environment friendly use period (EFUP) | EFUP-50 |
| | An article-related China RoHS declaration table can be found in the download area for the respective article under "Manufacturer declaration". For all articles with EFUP-E, no China RoHS declaration table issued and required. |

EU REACH SVHC

| | |
|-------------------------------------|----------------------|
| REACH candidate substance (CAS No.) | Lead(CAS: 7439-92-1) |
|-------------------------------------|----------------------|

Phoenix Contact 2026 © - all rights reserved
<https://www.phoenixcontact.com>

Phoenix Contact USA
586 Fulling Mill Road
Middletown, PA 17057, United States
(+717) 944-1300
info@phoenixcon.com