

UMK-BE 45 GY - Base element



2971771

<https://www.phoenixcontact.com/us/products/2971771>

Please be informed that the data shown in this PDF document is generated from our online catalog. Please find the complete data in the user documentation. Our general terms of use for downloads are valid.



Electronic board base, plug-in module base element

The figure shows a combination of versions UMK SE 11,25, UMK BE 11,25,- 22,5, - 45 and UMK-FE, in green

Commercial data

Item number	2971771
Packing unit	10 pc
Minimum order quantity	10 pc
Note	Made to order (non-returnable)
Sales key	NULL
Product key	ACHDCA
GTIN	4017918365462
Weight per piece (including packing)	16.04 g
Weight per piece (excluding packing)	16.04 g
Customs tariff number	84879090
Country of origin	PL

UMK-BE 45 GY - Base element

2971771

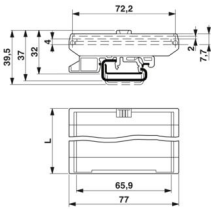
<https://www.phoenixcontact.com/us/products/2971771>

Technical data

Product properties

Product type	Component housing lower part
Housing type	Press-drawn section housings
Housing series	UMK
Product family	UMK BE
Type	Module width 45 mm, since the housing can remain open at the top, it is possible for parts to protrude above the actual profile height
Ventilation openings present	no

Dimensions

Dimensional drawing	
Depth	15.5 mm
Length	45 mm

External dimensions

Profile width (external)	77 mm
--------------------------	-------

Internal dimensions

Profile width (internal)	72.2 mm
--------------------------	---------

Material specifications

Color (Housing)	gray (RAL 7042)
Material	PA
Flammability rating according to UL 94	V2

Environmental and real-life conditions

Ambient conditions

Ambient temperature (operation)	-40 °C ... 105 °C (depending on power dissipation)
Ambient temperature (storage/transport)	-40 °C ... 55 °C
Ambient temperature (assembly)	-5 °C ... 100 °C
Relative humidity (storage/transport)	80 %

UMK-BE 45 GY - Base element



2971771

<https://www.phoenixcontact.com/us/products/2971771>

Drawings



UMK-BE 45 GY - Base element



2971771

<https://www.phoenixcontact.com/us/products/2971771>

Approvals

To download certificates, visit the product detail page: <https://www.phoenixcontact.com/us/products/2971771>



UL Recognized

Approval ID: E240868

UMK-BE 45 GY - Base element



2971771

<https://www.phoenixcontact.com/us/products/2971771>

Classifications

ECLASS

ECLASS-13.0	27190601
ECLASS-15.0	27190601

ETIM

ETIM 10.0	EC002779
-----------	----------

UNSPSC

UNSPSC 21.0	31261500
-------------	----------

UMK-BE 45 GY - Base element



2971771

<https://www.phoenixcontact.com/us/products/2971771>

Environmental product compliance

EU RoHS

Fulfills EU RoHS substance requirements	Yes, No exemptions
---	--------------------

China RoHS

Environment friendly use period (EFUP)	EFUP-E
	No hazardous substances above the limits

EU REACH SVHC

REACH candidate substance (CAS No.)	No substance above 0.1 wt%
-------------------------------------	----------------------------

EF3.1 Climate Change

CO2e kg	0.101 kg CO2e
---------	---------------

Phoenix Contact 2026 © - all rights reserved
<https://www.phoenixcontact.com>

Phoenix Contact USA
586 Fulling Mill Road
Middletown, PA 17057, United States
(+717) 944-1300
info@phoenixcon.com