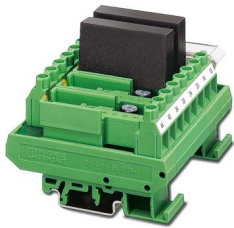


UMK- 4 OM/PF - Optocoupler module

2971548

<https://www.phoenixcontact.com/us/products/2971548>

Please be informed that the data shown in this PDF document is generated from our online catalog. Please find the complete data in the user documentation. Our general terms of use for downloads are valid.



Interface module, with plug-in socket for 4 digital I/O modules, with screw connection, with light indicator and fuse, control logic: minus switching

The figure shows a version for 4 pluggable digital I/O modules, or SOLID-state relays

Commercial data

Item number	2971548
Packing unit	1 pc
Note	Made to order (non-returnable)
Sales key	NULL
Product key	DK61E3
GTIN	4017918088408
Weight per piece (including packing)	188.2 g
Weight per piece (excluding packing)	1.73 g
Customs tariff number	85369010
Country of origin	DE

UMK- 4 OM/PF - Optocoupler module



2971548

<https://www.phoenixcontact.com/us/products/2971548>

Technical data

Product properties

Product type	Solid-state relay module
No. of channels	4
Compatible components	Digital I/O modules
With components	no

Input data

Input voltage range	4 V ... 32 V
Status display/channel	Yellow LED

Output data

Compatible components	Digital I/O modules
-----------------------	---------------------

Switching

Limiting continuous current	4 A
Error detection (line break / short-circuit)	no

Connection data

Input

Connection method	Screw connection
Stripping length	8 mm
Screw thread	M3
Number of connections	2
Number of positions	6
Conductor cross-section rigid	0.2 mm ² ... 4 mm ²
Conductor cross-section flexible	0.2 mm ² ... 2.5 mm ²
Conductor cross-section AWG	24 ... 12

Output

Connection method	Screw connection
Stripping length	8 mm
Screw thread	M3
Number of connections	8
Number of positions	4
Conductor cross-section rigid	0.2 mm ² ... 6 mm ²
Conductor cross-section flexible	0.2 mm ² ... 4 mm ²
Conductor cross-section AWG	24 ... 10

Signaling

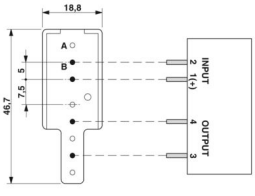
Status display present	yes
------------------------	-----

Dimensions

UMK- 4 OM/PF - Optocoupler module

2971548

<https://www.phoenixcontact.com/us/products/2971548>

Dimensional drawing	
Width	90 mm
Height	77 mm
Depth	72 mm

Material specifications

Color	green (RAL 6021)
Housing insulation material	PVC, side panel PA non-reinforced,

Environmental and real-life conditions

Ambient conditions

Ambient temperature (operation)	-20 °C ... 55 °C
Ambient temperature (storage/transport)	-20 °C ... 70 °C

Standards and regulations

Standards/regulations	DIN VDE 0110b, Gr. C for 250 V DC
	DIN VDE 0160 (in relevant parts)

Mounting

Assembly note	in rows with zero spacing
Mounting position	any

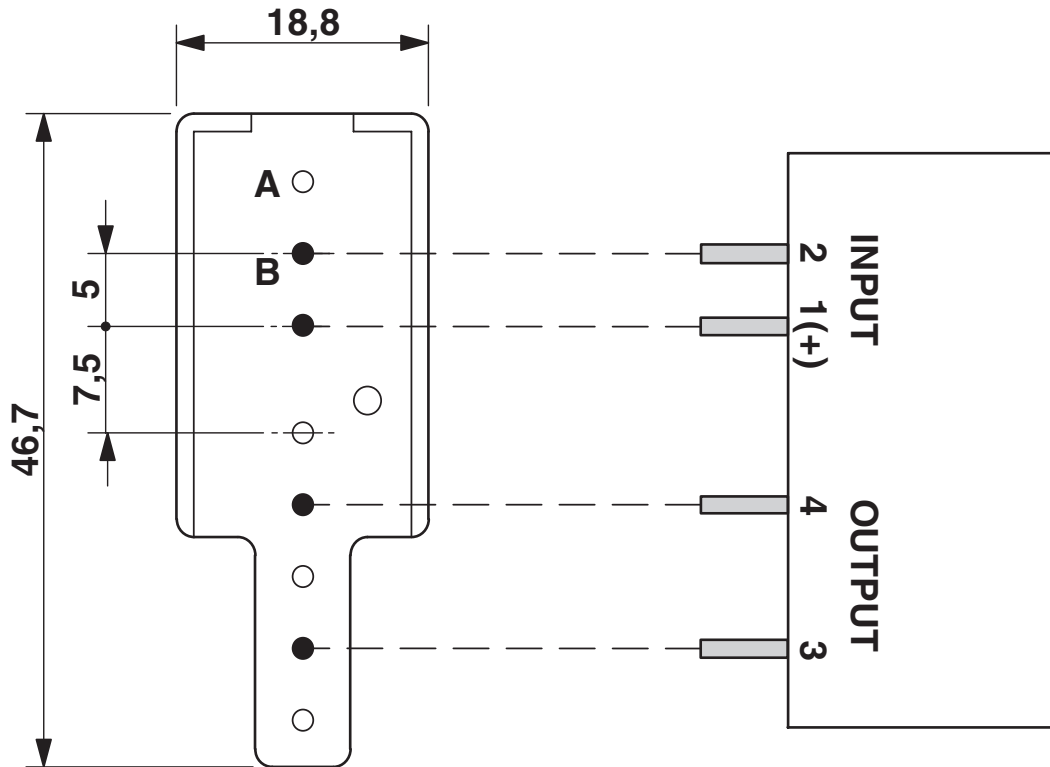
UMK- 4 OM/PF - Optocoupler module

2971548

<https://www.phoenixcontact.com/us/products/2971548>

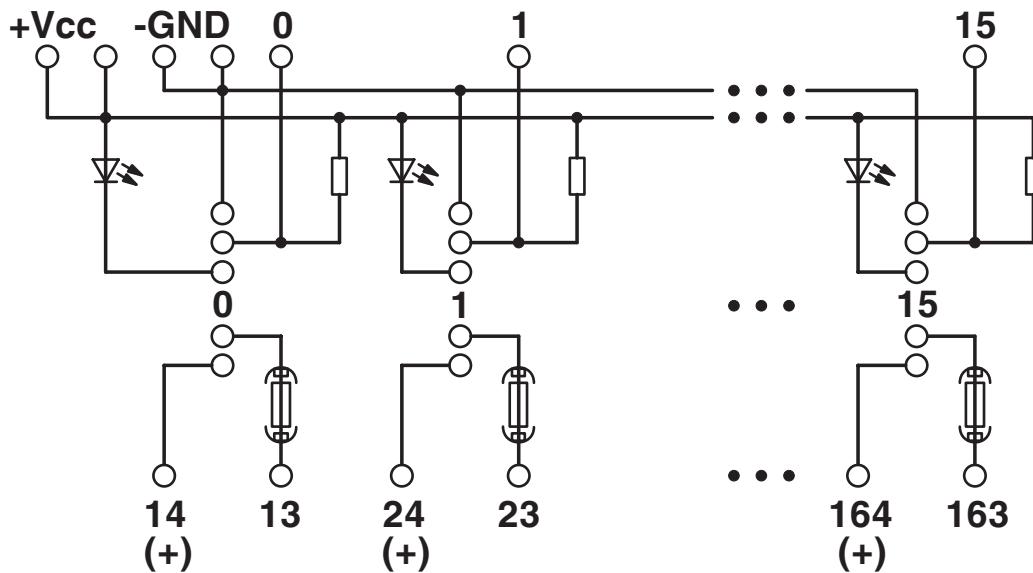
Drawings

Dimensional drawing



A = without metal
B = with metal

Circuit diagram



UMK- 4 OM/PF - Optocoupler module



2971548

<https://www.phoenixcontact.com/us/products/2971548>

Environmental product compliance

EU REACH SVHC

REACH candidate substance (CAS No.)	
-------------------------------------	--

	No substance above 0.1 wt%
--	----------------------------

Phoenix Contact 2026 © - all rights reserved

<https://www.phoenixcontact.com>

Phoenix Contact USA
586 Fulling Mill Road
Middletown, PA 17057, United States
(+717) 944-1300
info@phoenixcon.com