

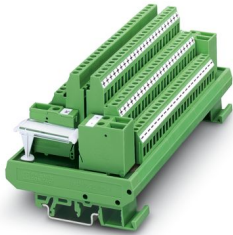
# UMK- PVB - Potential distributors



2971302

<https://www.phoenixcontact.com/us/products/2971302>

Please be informed that the data shown in this PDF document is generated from our online catalog. Please find the complete data in the user documentation. Our general terms of use for downloads are valid.



VARIOFACE module, with three equipotential busbars (+, -, PE) for potential distribution, for mounting on NS 35/7.5 or NS 32

## Your advantages

- Consecutive numbering
- Separate supply
- Two potential levels

## Commercial data

Item number	2971302
Packing unit	1 pc
Note	Made to order (non-returnable)
Sales key	C422
Product key	DK2184
GTIN	4017918088323
Weight per piece (including packing)	620.9 g
Weight per piece (excluding packing)	548.24 g
Customs tariff number	85369010
Country of origin	DE

## Technical data

### Notes

Type of insulation housing	Polyamide PA non-reinforced
Notes on operation	For proper use, the specifications of the installation directive (see Downloads) must be observed. For applications or use with third-party products, the specifications, and the safety and warning instructions of the respective third-party manufacturer must also be met.

### Product properties

Product type	Potential distributor
Product family	VARIOFACE
Potential connections	Per potential (Plus) 2 power/48 distributor terminal blocks Per potential (Minus) 2 power/24 distributor terminal blocks Per potential (PE) 2 power/72 distributor terminal blocks

### Insulation characteristics

Overvoltage category	II
Pollution degree	2

### Electrical properties

Nominal voltage $U_N$	250 V AC/DC
Max. current carrying capacity per branch	16 A
Max. total current of all branches	16 A (per potential)
Rated insulation voltage	250 V
Rated surge voltage	2.2 kV (Functional insulation)

### Input data

Potential connections	Per potential (Plus) 2 power/48 distributor terminal blocks Per potential (Minus) 2 power/24 distributor terminal blocks Per potential (PE) 2 power/72 distributor terminal blocks
-----------------------	--

### Connection data

#### Feed-in

Connection method	Screw connection
Screw thread	M3
Number of connections	3
Conductor cross-section rigid	0.5 mm <sup>2</sup> ... 6 mm <sup>2</sup>
Conductor cross-section flexible	0.5 mm <sup>2</sup> ... 4 mm <sup>2</sup>
Conductor cross-section AWG	20 ... 10

#### Distribution

Connection method	Screw connection
Stripping length	8 mm
Screw thread	M3

# UMK- PVB - Potential distributors



2971302

<https://www.phoenixcontact.com/us/products/2971302>

Conductor cross-section rigid	0.2 mm <sup>2</sup> ... 4 mm <sup>2</sup>
Conductor cross-section flexible	0.2 mm <sup>2</sup> ... 2.5 mm <sup>2</sup>
Conductor cross-section AWG	24 ... 12

## Dimensions

Width	168.8 mm
Height	77 mm
Depth	72 mm

## Material specifications

Color	green (RAL 6021)
-------	------------------

## Environmental and real-life conditions

### Ambient conditions

Degree of protection	IP20
Ambient temperature (operation)	-20 °C ... 50 °C
Ambient temperature (storage/transport)	-20 °C ... 70 °C

## Standards and regulations

Standards/regulations	IEC 60664
	DIN EN 50178

## Mounting

Mounting type	DIN rail mounting
Mounting position	any

# UMK- PVB - Potential distributors

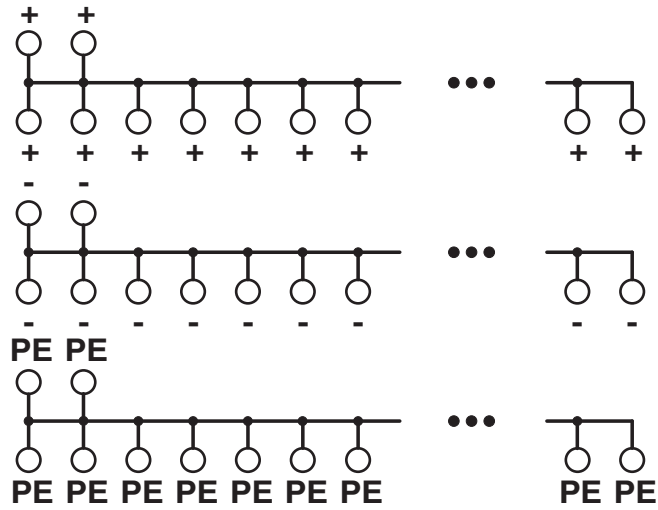
2971302

<https://www.phoenixcontact.com/us/products/2971302>



## Drawings

Circuit diagram



# UMK- PVB - Potential distributors



2971302

<https://www.phoenixcontact.com/us/products/2971302>

## Environmental product compliance

### China RoHS

Environment friendly use period (EFUP)	EFUP-50
	An article-related China RoHS declaration table can be found in the download area for the respective article under "Manufacturer declaration". For all articles with EFUP-E, no China RoHS declaration table issued and required.

### EU REACH SVHC

REACH candidate substance (CAS No.)	No substance above 0.1 wt%
-------------------------------------	----------------------------

Phoenix Contact 2026 © - all rights reserved

<https://www.phoenixcontact.com>

Phoenix Contact USA  
586 Fulling Mill Road  
Middletown, PA 17057, United States  
(+717) 944-1300  
[info@phoenixcon.com](mailto:info@phoenixcon.com)