

# UMK-BE 22,5 - Base element

2970028

<https://www.phoenixcontact.com/us/products/2970028>



Please be informed that the data shown in this PDF document is generated from our online catalog. Please find the complete data in the user documentation. Our general terms of use for downloads are valid.

Electronic board base, plug-in module base element



## Commercial data

Item number	2970028
Packing unit	10 pc
Minimum order quantity	10 pc
Sales key	AC13
Product key	ACHDCA
GTIN	4017918087555
Weight per piece (including packing)	9.4 g
Weight per piece (excluding packing)	9.39 g
Customs tariff number	84879090
Country of origin	PL

# UMK-BE 22,5 - Base element

2970028

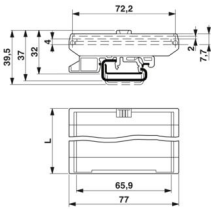
<https://www.phoenixcontact.com/us/products/2970028>

## Technical data

### Product properties

Product type	Component housing lower part
Housing type	Press-drawn section housings
Housing series	UMK
Product family	UMK BE
Type	Module width 22,5 mm, since the housing can remain open at the top, it is possible for parts to protrude above the actual profile height
Ventilation openings present	no

### Dimensions

Dimensional drawing	
Depth	15.5 mm
Length	22.5 mm

### External dimensions

Profile width (external)	77 mm
--------------------------	-------

### Internal dimensions

Profile width (internal)	72.2 mm
--------------------------	---------

### Material specifications

Color (Housing)	green (RAL 6021)
Material	PA
Flammability rating according to UL 94	V2

### Environmental and real-life conditions

#### Ambient conditions

Ambient temperature (operation)	-40 °C ... 105 °C (depending on power dissipation)
Ambient temperature (storage/transport)	-40 °C ... 55 °C
Ambient temperature (assembly)	-5 °C ... 100 °C
Relative humidity (storage/transport)	80 %

# UMK-BE 22,5 - Base element

2970028

<https://www.phoenixcontact.com/us/products/2970028>



## Drawings



# UMK-BE 22,5 - Base element

2970028

<https://www.phoenixcontact.com/us/products/2970028>



## Approvals

To download certificates, visit the product detail page: <https://www.phoenixcontact.com/us/products/2970028>



**UL Recognized**

Approval ID: E240868

# UMK-BE 22,5 - Base element



2970028

<https://www.phoenixcontact.com/us/products/2970028>

## Classifications

### ECLASS

ECLASS-13.0	27190601
ECLASS-15.0	27190601

### ETIM

ETIM 10.0	EC002779
-----------	----------

### UNSPSC

UNSPSC 21.0	31261500
-------------	----------

# UMK-BE 22,5 - Base element



2970028

<https://www.phoenixcontact.com/us/products/2970028>

## Environmental product compliance

### EU RoHS

Fulfills EU RoHS substance requirements	Yes, No exemptions
---	--------------------

### China RoHS

Environment friendly use period (EFUP)	EFUP-E
	No hazardous substances above the limits

### EU REACH SVHC

REACH candidate substance (CAS No.)	No substance above 0.1 wt%
-------------------------------------	----------------------------

### EF3.1 Climate Change

CO2e kg	0.277 kg CO2e
---------	---------------

Phoenix Contact 2026 © - all rights reserved  
<https://www.phoenixcontact.com>

Phoenix Contact USA  
586 Fulling Mill Road  
Middletown, PA 17057, United States  
(+717) 944-1300  
[info@phoenixcon.com](mailto:info@phoenixcon.com)