

UM122-FLK16/EX-MB/8 - Basic terminal block



2968467

<https://www.phoenixcontact.com/us/products/2968467>

Please be informed that the data shown in this PDF document is generated from our online catalog. Please find the complete data in the user documentation. Our general terms of use for downloads are valid.

Ex-module carrier, intrinsically safe, for accommodating 8 Process Interface modules (PI-Ex...).



Commercial data

Item number	2968467
Packing unit	1 pc
Note	Made to order (non-returnable)
Sales key	C430
Product key	DK1XXX
GTIN	4017918939458
Weight per piece (including packing)	481.5 g
Weight per piece (excluding packing)	425.2 g
Customs tariff number	85369010
Country of origin	DE

UM122-FLK16/EX-MB/8 - Basic terminal block



2968467

<https://www.phoenixcontact.com/us/products/2968467>

Technical data

Product properties

Product type	Module carrier
Application	Base element

Electrical properties

Nominal voltage U_N	20 V DC ... 35 V DC
-----------------------	---------------------

Supply

Redundant supply	yes, decoupled from diodes
------------------	----------------------------

Connection data

Power supply

Connection method	Screw connection
Stripping length	8 mm
Screw thread	M3
Note	8 PCB screw termination blocks (3-pos.)
Conductor cross-section rigid	0.2 mm ² ... 4 mm ²
Conductor cross-section flexible	0.2 mm ² ... 2.5 mm ²
Conductor cross-section AWG	24 ... 12
Tightening torque	0.5 Nm ... 0.6 Nm

Controller level

Connection method	IDC/FLK pin strip
Number of connections	1
Number of positions	16

Ex data

Safety data

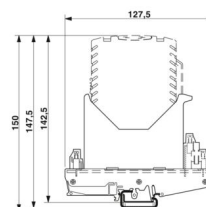
Max. output voltage U_o	≤ 30 V
Safety-related maximum voltage U_m	250 V

Signaling

Status display present	no
------------------------	----

Dimensions

Dimensional drawing



UM122-FLK16/EX-MB/8 - Basic terminal block



2968467

<https://www.phoenixcontact.com/us/products/2968467>

Width	125 mm
Height	127.5 mm
Depth	92 mm
Depth NS 35/7,5	142.5 mm (with NS 35/7.5 coupling connector)
Depth NS 32	147.5 mm (with NS 32 coupling connector)
Depth NS 35/15	150 mm (with NS 35/15 coupling connector)

Material specifications

Color	green (RAL 6021)
Flammability rating according to UL 94	V2
Housing insulation material	Polyamide PA non-reinforced, polycarbonate PC, PVC

Environmental and real-life conditions

Ambient conditions

Ambient temperature (operation)	-20 °C ... 60 °C
Ambient temperature (storage/transport)	-40 °C ... 75 °C

Approvals

CE

Certificate	CE-compliant
-------------	--------------

ATEX

Identification	⊕ II (1) G [Ex ia Ga] IIC
	⊕ II (1) D [Ex ia Da] IIIC
	⊕ II 3 (1) G Ex nA [ia Ga] IIC T4 Gc
Certificate	KEMA 99ATEX7296
	PxCIF08ATEX2835325X

EAC Ex

Identification	Ex [Ex ia Ga] IIC
Certificate	RU C-DE.AB72.B.00097/19

Mounting

Mounting type	DIN rail mounting
---------------	-------------------

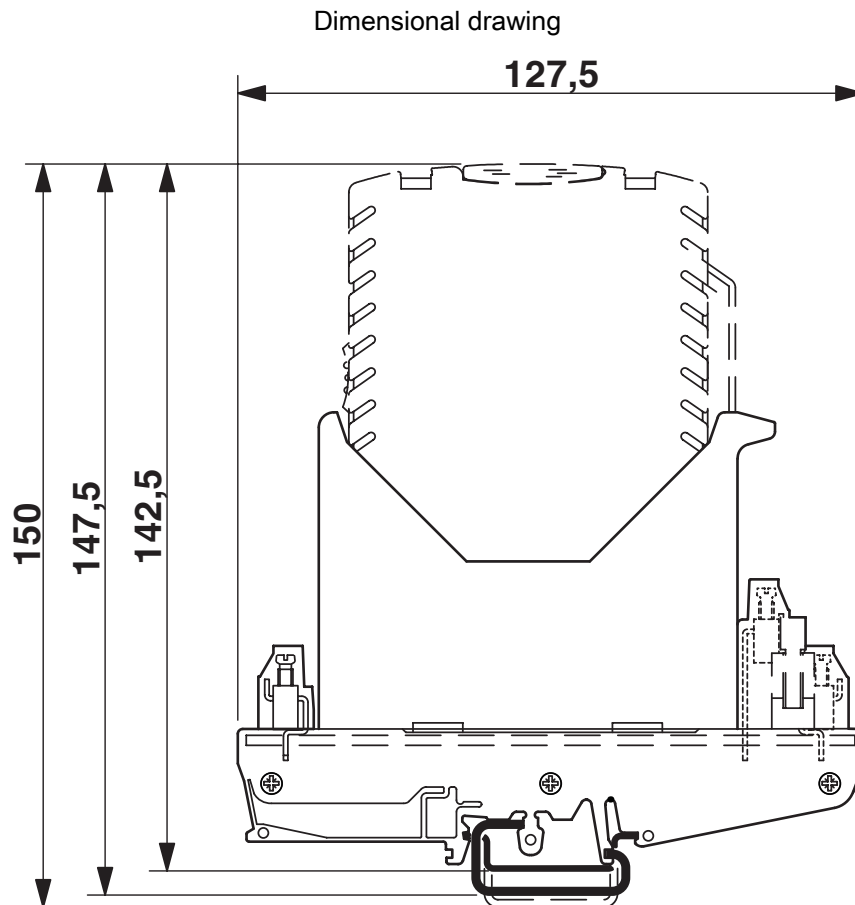
UM122-FLK16/EX-MB/8 - Basic terminal block



2968467

<https://www.phoenixcontact.com/us/products/2968467>

Drawings



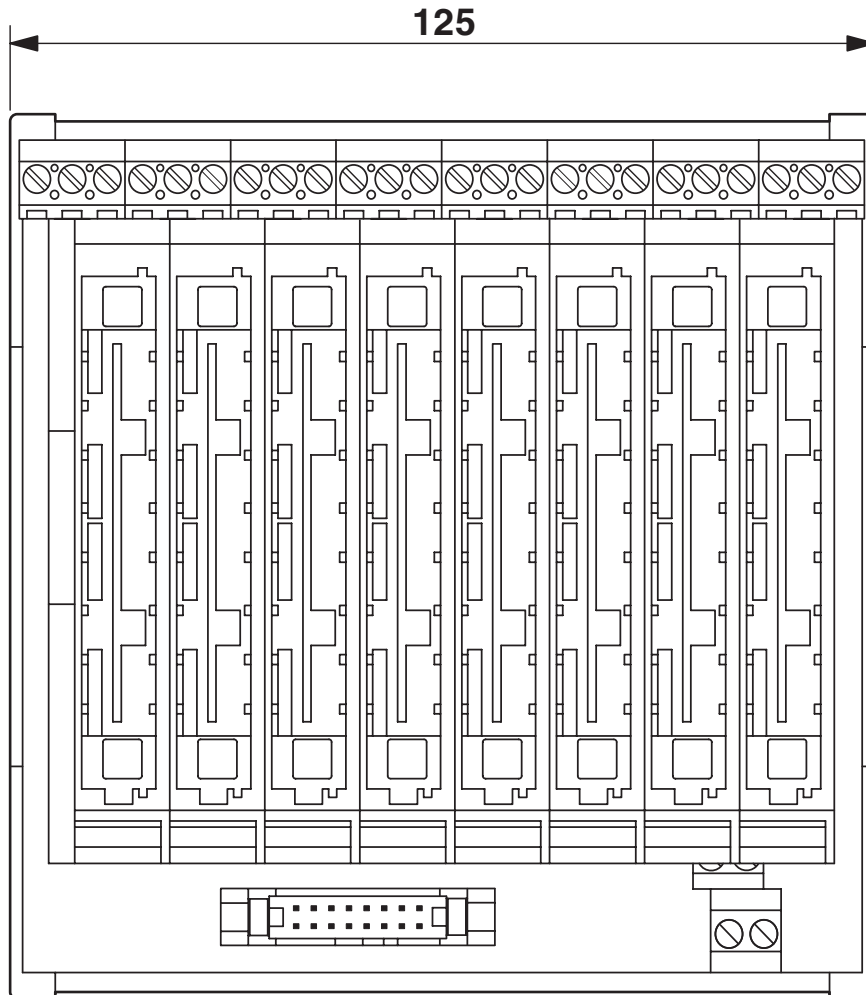
UM122-FLK16/EX-MB/8 - Basic terminal block



2968467

<https://www.phoenixcontact.com/us/products/2968467>

Dimensional drawing



UM122-FLK16/EX-MB/8 - Basic terminal block



2968467

<https://www.phoenixcontact.com/us/products/2968467>

Classifications

UNSPSC

UNSPSC 21.0	39121400
-------------	----------

UM122-FLK16/EX-MB/8 - Basic terminal block



2968467

<https://www.phoenixcontact.com/us/products/2968467>

Environmental product compliance

EU RoHS

Fulfills EU RoHS substance requirements	Yes, No exemptions
---	--------------------

China RoHS

Environment friendly use period (EFUP)	EFUP-E
	No hazardous substances above the limits

EU REACH SVHC

REACH candidate substance (CAS No.)	No substance above 0.1 wt%
-------------------------------------	----------------------------

Phoenix Contact 2026 © - all rights reserved
<https://www.phoenixcontact.com>

Phoenix Contact USA
586 Fulling Mill Road
Middletown, PA 17057, United States
(+717) 944-1300
info@phoenixcon.com