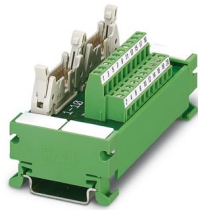


UM 45- 2FLK14/AB-1756 - Passive module

2968360

<https://www.phoenixcontact.com/us/products/2968360>

Please be informed that the data shown in this PDF document is generated from our online catalog. Please find the complete data in the user documentation. Our general terms of use for downloads are valid.



VARIOFACE COMPACT LINE, interface module for Allen-Bradley ControlLogix, with ControlLogix-specific labeling, no. of positions: 2 x 14, module width: 98 mm

Commercial data

Item number	2968360
Packing unit	1 pc
Minimum order quantity	1 pc
Note	Made to order (non-returnable)
Sales key	C421
Product key	DK21AR
GTIN	4017918587765
Weight per piece (including packing)	102.8 g
Weight per piece (excluding packing)	69.67 g
Customs tariff number	85369010
Country of origin	DE

UM 45- 2FLK14/AB-1756 - Passive module



2968360

<https://www.phoenixcontact.com/us/products/2968360>

Technical data

Product properties

Product type	Interface module
Product family	VARIOFACE
No. of channels	8
Operating mode	100% operating factor

Insulation characteristics: Air clearances and creepage distances

Insulation	Functional insulation
Overvoltage category	II
Pollution degree	2

Electrical properties

Operating voltage (AC)	≤ 30 V AC
Operating voltage (DC)	≤ 60 V DC
Current (per branch)	≤ 1 A
Current (Voltage supply)	≤ 2 A

Air clearances and creepage distances

Rated insulation voltage	63 V
Rated surge voltage	0.6 kV (1.2/50 μs)

Supported controller: ALLEN-BRADLEY ControlLogix

Suitable I/O card	1756-IN16
	1756-IA8D
	1756-IA16
	1756-IB16
	1756-IC16
	1756-OB16E
	1756-IF6I
	1756-IR6I
	1756-IT6I
	1756-OF4
	1756-OF6CI
	1756-OF8
	1756-PLS
	1756-OF6VI

Supported controller: HONEYWELL Experion PKS C200

Suitable I/O card	TC-IDX 081
	TC-IDA 161
	TC-IAH 061
	TC-IXR 061
	TC-IXL 061

UM 45- 2FLK14/AB-1756 - Passive module



2968360

<https://www.phoenixcontact.com/us/products/2968360>

	TC-OAH 061
	TC-OAV 061
	TC-OAV 081

Connection data

Connection 1 (control level)

Connection in acc. with standard	IEC 60603-13
Connection method	IDC/FLK pin strip
Number of connections	2
Number of positions	14
Insertion/withdrawal cycles	> 50
Pitch	2.54 mm

Connection 2 (field level)

Connection method	Screw connection
Stripping length	6 mm
Screw thread	M3
Number of positions	20
Conductor cross-section rigid	0.14 mm ² ... 1.5 mm ²
Conductor cross-section rigid (2 conductors with same cross section)	0.14 mm ² ... 0.75 mm ²
Conductor cross-section flexible	0.14 mm ² ... 1.5 mm ²
	0.25 mm ² ... 1 mm ² (Ferrule without plastic sleeve)
	0.25 mm ² ... 1.5 mm ² (Ferrule with plastic sleeve)
Conductor cross-section flexible (2 conductors with same cross section)	0.14 mm ² ... 0.75 mm ²
	0.25 mm ² ... 0.5 mm ² (Ferrule without plastic sleeve)
	0.5 mm ² ... 1 mm ² (TWIN ferrule with plastic sleeve)
Conductor cross-section AWG	26 ... 16
Tightening torque	0.5 Nm ... 0.6 Nm
Pitch	5.08 mm

Signaling

Status display present	no
------------------------	----

Dimensions

Item dimensions

Width	96.8 mm
Height	45 mm
Depth	50.8 mm

Material specifications

Color	green (RAL 6021)
Housing insulation material	PVC

UM 45- 2FLK14/AB-1756 - Passive module



2968360

<https://www.phoenixcontact.com/us/products/2968360>

Environmental and real-life conditions

Ambient conditions

Degree of protection (Module)	IP00
Degree of protection (Installation location)	≥ IP54
Ambient temperature (operation)	-20 °C ... 50 °C
Ambient temperature (storage/transport)	-20 °C ... 70 °C
Altitude	≤ 2000 m

Approvals

UKCA

Certificate	UKCA-compliant
-------------	----------------

Standards and regulations

Air clearances and creepage distances

Standards/regulations	EN IEC 60664-1
-----------------------	----------------

Mounting

Mounting type	DIN rail mounting
Mounting position	any

Notes

Notes on operation	For proper use, the specifications of the installation directive (see Downloads) must be observed. For applications or use with third-party products, the specifications, and the safety and warning instructions of the respective third-party manufacturer must also be met.
--------------------	--

UM 45- 2FLK14/AB-1756 - Passive module

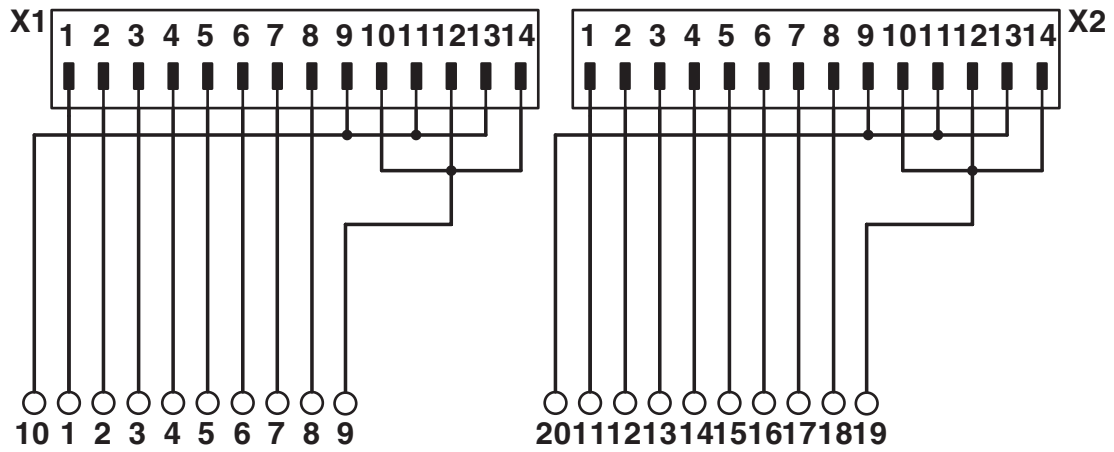


2968360

<https://www.phoenixcontact.com/us/products/2968360>

Drawings

Circuit diagram



UM 45-2FLK14/AB-1756 connection scheme

UM 45- 2FLK14/AB-1756 - Passive module



2968360

<https://www.phoenixcontact.com/us/products/2968360>

Classifications

ECLASS

ECLASS-13.0	27141152
ECLASS-15.0	27141152

ETIM

ETIM 10.0	EC002780
-----------	----------

UNSPSC

UNSPSC 21.0	39121400
-------------	----------

UM 45- 2FLK14/AB-1756 - Passive module



2968360

<https://www.phoenixcontact.com/us/products/2968360>

Environmental product compliance

EU RoHS

Fulfills EU RoHS substance requirements	Yes, No exemptions
---	--------------------

China RoHS

Environment friendly use period (EFUP)	EFUP-50
	An article-related China RoHS declaration table can be found in the download area for the respective article under "Manufacturer declaration". For all articles with EFUP-E, no China RoHS declaration table issued and required.

EU REACH SVHC

REACH candidate substance (CAS No.)	No substance above 0.1 wt%
-------------------------------------	----------------------------

Phoenix Contact 2026 © - all rights reserved

<https://www.phoenixcontact.com>

Phoenix Contact USA
586 Fulling Mill Road
Middletown, PA 17057, United States
(+717) 944-1300
info@phoenixcon.com