

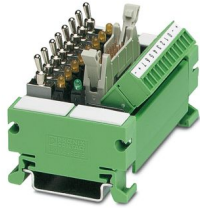
UM 45-DI/DO/S/LA/SIM8 - Termination board



2968205

<https://www.phoenixcontact.com/us/products/2968205>

Please be informed that the data shown in this PDF document is generated from our online catalog. Please find the complete data in the user documentation. Our general terms of use for downloads are valid.



VARIOFACE switch module, with flat-ribbon cable and COMBICON connector, for simulation, for 8 signals, for mounting on NS 35/7.5

Commercial data

Item number	2968205
Packing unit	1 pc
Minimum order quantity	1 pc
Note	Made to order (non-returnable)
Sales key	C422
Product key	DK21A1
GTIN	4017918173685
Weight per piece (including packing)	87 g
Weight per piece (excluding packing)	61.08 g
Customs tariff number	85369010
Country of origin	DE

UM 45-DI/DO/S/LA/SIM8 - Termination board



2968205

<https://www.phoenixcontact.com/us/products/2968205>

Technical data

Product properties

Product type	Interface module
Product family	VARIOFACE

Insulation characteristics: Air clearances and creepage distances

Insulation	Functional insulation
Overvoltage category	II
Pollution degree	2

Electrical properties

Operating voltage range	19.2 V DC ... 26.4 V DC
Current (per branch)	≤ 1 A
Current (Voltage supply +,- IDC/FLK)	≤ 3 A
Current (Terminal block +,-)	≤ 8 A

Air clearances and creepage distances

Rated insulation voltage	50 V
Rated surge voltage	0.5 kV (1.2/50 μs)

Supported controller: ABB S800 I/O

Suitable I/O card	DO810
	DI818
	DO840

Supported controller: SIEMENS S7-400

Suitable I/O card	6ES7421-1BL01-0AA0
	6ES7422-1BL00-0AA0
	6ES7422-7BL00-0AB0

Supported controller: GE-FANUC 90-30

Suitable I/O card	IC693 MDL241
	IC693 MDL634
	IC693 MDL645
	IC693 MDL646
	IC693 MDL732
	IC693 MDL740
	IC693 MDL742

Supported controller: ALLEN-BRADLEY ControlLogix

Suitable I/O card	1756-IB32
	1756-IB16
	1756-OB32
	1756-OB16E

UM 45-DI/DO/S/LA/SIM8 - Termination board



2968205

<https://www.phoenixcontact.com/us/products/2968205>

Supported controller: ALLEN-BRADLEY PLC 5

Suitable I/O card	1771 IBN
	1771 OBN

Supported controller: ALLEN-BRADLEY SLC 500

Suitable I/O card	1746 IB16
	1746 ITB16
	1746 IN16
	1746 IB 32
	1746 OB16
	1746 OB 32

Supported controller: HONEYWELL Experion PKS C200

Suitable I/O card	TC-IDD 321
	TC-ODD 321

Supported controller: MITSUBISHI MELSEC Q

Suitable I/O card	QX81
	QY81P

Supported controller: SIEMENS S7-300 / ET 200 M

Suitable I/O card	CPU 313C-2DP
	CPU 314C-2DP
	CPU 314C-2PtP
	6ES7321-1BH02-0AA0
	6ES7321-1BL00-0AA0
	6ES7323-1BH01-0AA0
	6ES7323-1BL00-0AA0
	6ES7321-1BH10-0AA0
	CPU 313C
	CPU 313C-2PtP
	6ES7322-1BH01-0AA0
	6ES7322-1BL00-0AA0
	6ES7323-1BH01-0AA0
	6ES7323-1BL00-0AA0

Supported controller: SCHNEIDER ELECTRIC Modicon TSX QUANTUM

Suitable I/O card	DDI 353
	DDI 853

Supported controller: ALLEN-BRADLEY ControlLogix

Suitable I/O card	DI810
	DI830
	DI840

Supported controller: EMERSON DeltaV

VE4001S2T2B3

UM 45-DI/DO/S/LA/SIM8 - Termination board



2968205

<https://www.phoenixcontact.com/us/products/2968205>

Suitable I/O card	VE4002S1T1B3
	VE4002S1T2B3
	VE4002S1T2B3 Series 2
	VE4002S1T2B6
Supported controller: GE-FANUC RX3i	
Suitable I/O card	IC694MDL660
	IC694MDL754
Supported controller: YOKOGAWA CS3000 CentumVP	
Suitable I/O card	ADV151
	ADV161
Supported controller: YOKOGAWA STARDOM	
Suitable I/O card	NFDV151
	NFDV161

Connection data

Connection 1 (control level)

Connection in acc. with standard	IEC 60603-13
Connection method	IDC/FLK pin strip
Number of connections	1
Number of positions	14
Insertion/withdrawal cycles	> 50
Pitch	2.54 mm

Connection 2 (field level)

Connection method	Screw connection
Stripping length	7 mm
Screw thread	M3
Number of positions	12
Conductor cross-section rigid	0.14 mm ² ... 1.5 mm ²
Conductor cross-section rigid (2 conductors with same cross section)	0.08 mm ² ... 0.5 mm ²
Conductor cross-section flexible	0.14 mm ² ... 1.5 mm ²
	0.25 mm ² ... 1.5 mm ² (Ferrule without plastic sleeve)
	0.25 mm ² ... 0.75 mm ² (Ferrule with plastic sleeve)
Conductor cross-section flexible (2 conductors with same cross section)	0.08 mm ² ... 0.75 mm ²
	0.25 mm ² ... 0.34 mm ² (Ferrule without plastic sleeve)
	0.5 mm ² ... 0.5 mm ² (TWIN ferrule with plastic sleeve)
Conductor cross-section AWG	28 ... 16
Tightening torque	0.22 Nm ... 0.25 Nm
Pitch	3.81 mm

Signaling

Status display	LED (yellow)
----------------	--------------

UM 45-DI/DO/S/LA/SIM8 - Termination board



2968205

<https://www.phoenixcontact.com/us/products/2968205>

Status display present	yes
Operating voltage display	Green LED

Dimensions

Item dimensions

Width	74.8 mm
Height	50.02 mm
Depth	50.9 mm

Material specifications

Color	green (RAL 6021)
Housing insulation material	PVC

Environmental and real-life conditions

Ambient conditions

Degree of protection (Module)	IP00
Degree of protection (Installation location)	≥ IP54
Ambient temperature (operation)	-20 °C ... 50 °C
Ambient temperature (storage/transport)	-20 °C ... 70 °C
Altitude	≤ 2000 m

Approvals

UKCA

Certificate	UKCA-compliant
-------------	----------------

Standards and regulations

Air clearances and creepage distances

Standards/regulations	EN IEC 60664-1
-----------------------	----------------

Mounting

Mounting type	DIN rail mounting
Mounting position	any

Notes

Notes on operation	For proper use, the specifications of the installation directive (see Downloads) must be observed. For applications or use with third-party products, the specifications, and the safety and warning instructions of the respective third-party manufacturer must also be met.
--------------------	--

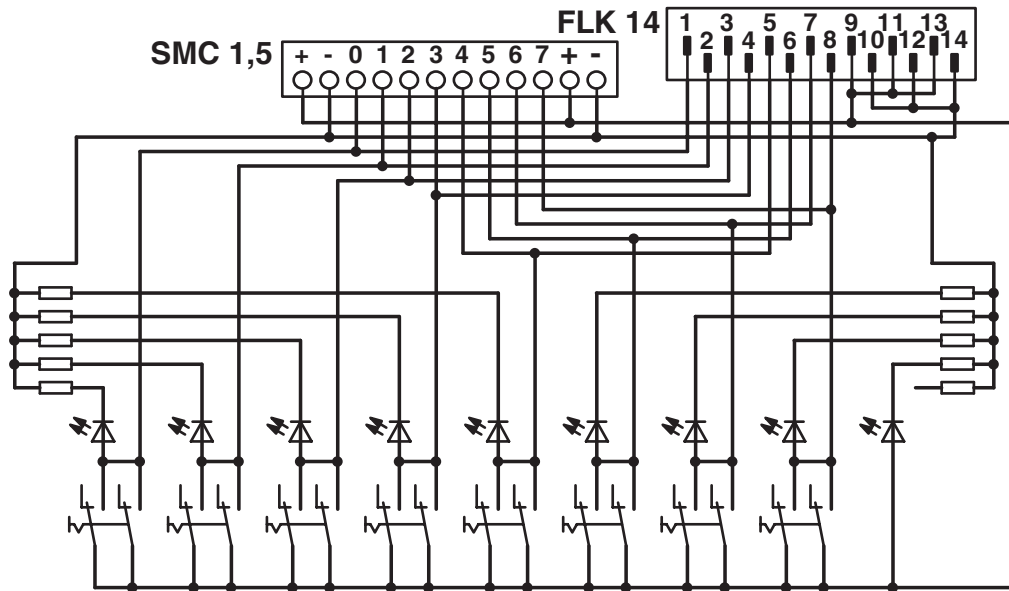
UM 45-DI/DO/S/LA/SIM8 - Termination board

2968205

<https://www.phoenixcontact.com/us/products/2968205>

Drawings

Circuit diagram



Connection scheme UM 45-DI/DO/S/LA/SIM8

UM 45-DI/DO/S/LA/SIM8 - Termination board



2968205

<https://www.phoenixcontact.com/us/products/2968205>

Classifications

ECLASS

ECLASS-13.0	27141152
ECLASS-15.0	27141152

ETIM

ETIM 10.0	EC002780
-----------	----------

UNSPSC

UNSPSC 21.0	39121400
-------------	----------

2968205

<https://www.phoenixcontact.com/us/products/2968205>

Environmental product compliance

EU RoHS

Fulfills EU RoHS substance requirements	Yes
Exemption	7(c)-I

China RoHS

Environment friendly use period (EFUP)	EFUP-50
	An article-related China RoHS declaration table can be found in the download area for the respective article under "Manufacturer declaration". For all articles with EFUP-E, no China RoHS declaration table issued and required.

EU REACH SVHC

REACH candidate substance (CAS No.)	Hexahydromethylphthalic anhydride(CAS: n/a)
SCIP	103dbb8a-da43-4d72-a667-84c53856b8f6

Phoenix Contact 2026 © - all rights reserved

<https://www.phoenixcontact.com>

Phoenix Contact USA
 586 Fulling Mill Road
 Middletown, PA 17057, United States
 (+717) 944-1300
info@phoenixcon.com