

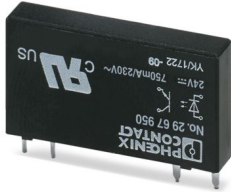
# OPT-24DC/230AC/ 1 - Miniature solid-state relay



2967950

<https://www.phoenixcontact.com/us/products/2967950>

Please be informed that the data shown in this PDF document is generated from our online catalog. Please find the complete data in the user documentation. Our general terms of use for downloads are valid.



Plug-in miniature solid-state relay, power solid-state relay, 1 N/O contact, input: 24 V DC, output: 24 - 253 V AC/0.75 A

## Your advantages

- Vibration and shock resistant
- RT III-proof (wash-proof)
- Wear-free and durable
- Can be soldered on PCB
- Zero voltage switch at AC output

## Commercial data

Item number	2967950
Packing unit	10 pc
Minimum order quantity	10 pc
Sales key	C460
Product key	DK69K2
GTIN	4017918190538
Weight per piece (including packing)	5.75 g
Weight per piece (excluding packing)	5.75 g
Customs tariff number	85364110
Country of origin	JP

# OPT-24DC/230AC/ 1 - Miniature solid-state relay



2967950

<https://www.phoenixcontact.com/us/products/2967950>

## Technical data

### Product properties

Product type	Single solid-state relay
Set comprises	2905295 RIF-0-OPT-24DC/230AC/1
Operating mode	100% operating factor

### Insulation characteristics: Standards/regulations

Insulation	Basic insulation
Overvoltage category	III
Pollution degree	2

### Data management status

Date of last data management	01.04.2026
------------------------------	------------

### Electrical properties

Maximum power dissipation for nominal condition	0.07 W
Test voltage (Input/output)	2.5 kV (50 Hz, 1 min., input/output)

### Input data

Nominal input voltage $U_N$	24 V DC
Input voltage range in reference to $U_N$	0.8 ... 1.2
Input voltage range	19.2 V DC ... 28.8 V DC
Switching threshold "0" signal in reference to $U_N$	0.35
Switching threshold "1" signal in reference to $U_N$	0.8
Typical input current at $U_N$	6.6 mA
Typical response time	10 ms (at $U_N$ )
Typical turn-off time	10 ms (at $U_N$ )
Transmission frequency	10 Hz

### Output data

Contact switching type	1 N/O contact
Design of digital output	electronic
Output voltage range	24 V AC ... 253 V AC
Limiting continuous current	0.75 A (see derating curve)
Maximum inrush current	30 A (10 ms)
Min. load current	10 mA
Leakage current	< 1 mA
Phase angle $\cos \phi$ min	0.5
Max. load value	4.5 A <sup>2</sup> s
Voltage drop at max. limiting continuous current	< 1 V
Output circuit	2-conductor floating, zero voltage switch
Protective circuit	RCV circuit; RCV circuit

### Dimensions

# OPT-24DC/230AC/ 1 - Miniature solid-state relay



2967950

<https://www.phoenixcontact.com/us/products/2967950>

## Item dimensions

Width	5 mm
Height	28 mm
Depth	15 mm

## Material specifications

Color	black (RAL 9005)
-------	------------------

## Environmental and real-life conditions

### Ambient conditions

Degree of protection	RT III
Ambient temperature (operation)	-25 °C ... 60 °C
Ambient temperature (storage/transport)	-25 °C ... 70 °C

## Approvals

### Corrosive gas test

Identification	ISA-S71.04. G3 Harsh Group
	EN 60068-2-60

## Standards and regulations

### Standards/regulations

Standards/regulations	IEC 60664
	EN 50178

## Mounting

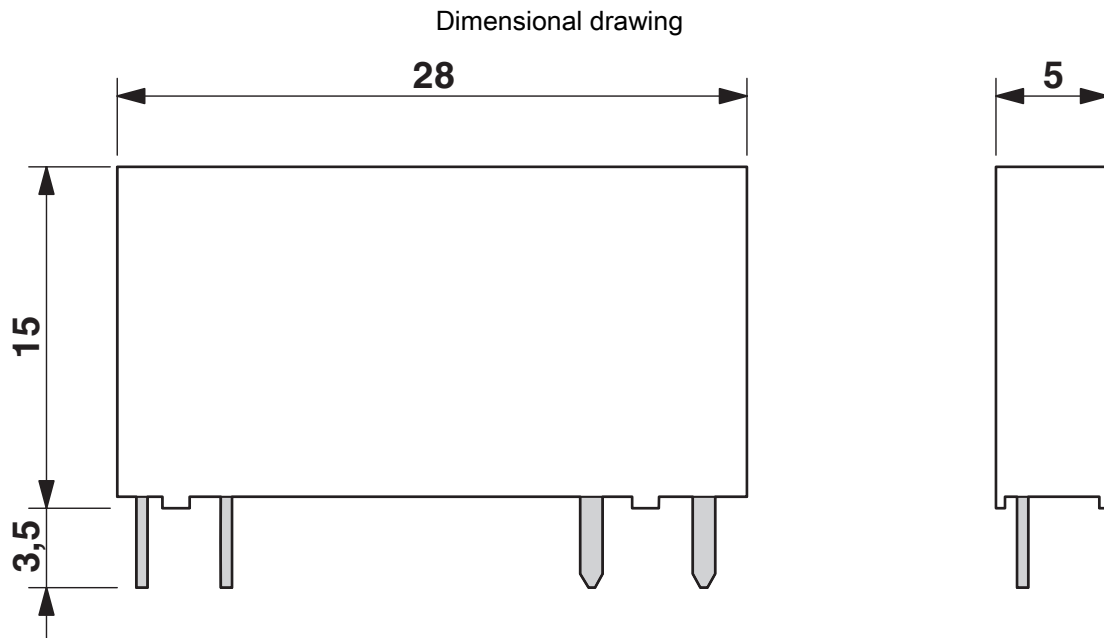
Assembly note	in rows with zero spacing
Mounting position	any

# OPT-24DC/230AC/ 1 - Miniature solid-state relay

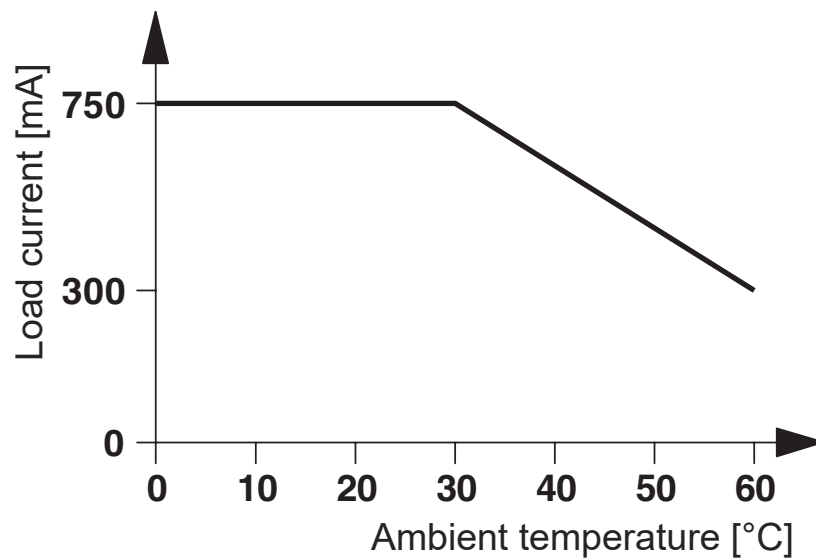
2967950

<https://www.phoenixcontact.com/us/products/2967950>

## Drawings



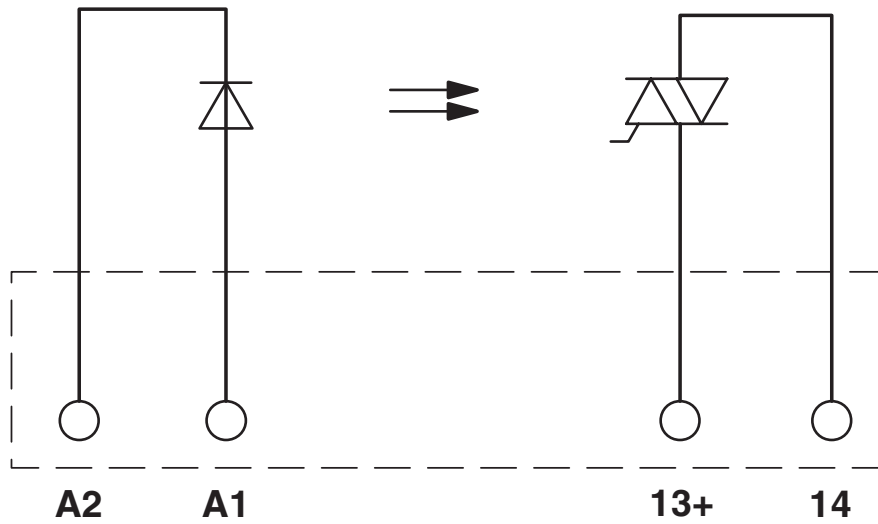
Diagram



2967950

<https://www.phoenixcontact.com/us/products/2967950>

Circuit diagram



Drilling plan/solder pad geometry



a = pitch division 1.25 mm and 1.27 mm

# OPT-24DC/230AC/ 1 - Miniature solid-state relay



2967950

<https://www.phoenixcontact.com/us/products/2967950>

## Approvals

To download certificates, visit the product detail page: <https://www.phoenixcontact.com/us/products/2967950>



**cUL Recognized**  
Approval ID: FILE E 195083



**UL Recognized**  
Approval ID: FILE E 195083



**EAC**  
Approval ID: RU\*C-DE.\*08.B.00010



**UL Recognized**  
Approval ID: FILE E 195083



**cUL Recognized**  
Approval ID: FILE E 195083



**GL**  
Approval ID: 46016-03 HH

# OPT-24DC/230AC/ 1 - Miniature solid-state relay



2967950

<https://www.phoenixcontact.com/us/products/2967950>

## Classifications

### ECLASS

ECLASS-13.0	27371604
ECLASS-15.0	27371604

### ETIM

ETIM 10.0	EC001504
-----------	----------

### UNSPSC

UNSPSC 21.0	39122300
-------------	----------

2967950

<https://www.phoenixcontact.com/us/products/2967950>

## Environmental product compliance

### EU RoHS

Fulfills EU RoHS substance requirements	Yes
Exemption	7(a)

### China RoHS

Environment friendly use period (EFUP)	EFUP-50
	An article-related China RoHS declaration table can be found in the download area for the respective article under "Manufacturer declaration". For all articles with EFUP-E, no China RoHS declaration table issued and required.

### EU REACH SVHC

REACH candidate substance (CAS No.)	Lead(CAS: 7439-92-1)
SCIP	a8af46d4-c21c-4cb5-b418-9348cf4fc9a7

### EF3.1 Climate Change

CO2e kg	1.317 kg CO2e
---------	---------------

Phoenix Contact 2026 © - all rights reserved  
<https://www.phoenixcontact.com>

Phoenix Contact USA  
586 Fulling Mill Road  
Middletown, PA 17057, United States  
(+717) 944-1300  
[info@phoenixcon.com](mailto:info@phoenixcon.com)