

PLC-ATP BK - Separating plate



2966841

<https://www.phoenixcontact.com/us/products/2966841>

Please be informed that the data shown in this PDF document is generated from our online catalog. Please find the complete data in the user documentation. Our general terms of use for downloads are valid.



Separating plate, 2 mm thick, required at the start and end of a PLC terminal strip. Furthermore, it is used for: visual separation of groups, safe isolation of different voltages of neighboring PLC relays in acc. with DIN VDE 0106-101, isolation

Product description

Separating plate, 2 mm thick, required at the start and end of a PLC terminal strip. It also serves for visual separation of groups, safe isolation of different voltages of neighboring PLC relays in acc. with DIN VDE 0106-101, separation of neighboring bridges with different potentials, separation of PLC relays with voltages >250 V, color: Black

Commercial data

Item number	2966841
Packing unit	25 pc
Minimum order quantity	25 pc
Sales key	C461
Product key	DK62Z2
GTIN	4017918130664
Weight per piece (including packing)	15.617 g
Weight per piece (excluding packing)	12.151 g
Customs tariff number	85472000
Country of origin	DE

PLC-ATP BK - Separating plate

2966841

<https://www.phoenixcontact.com/us/products/2966841>

Technical data

Product properties

Product type	Partition plate
Product family	PLC-INTERFACE

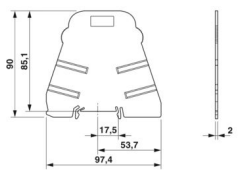
Mounting

Mounting type	DIN rail mounting
---------------	-------------------

Material specifications

Color	black (RAL 9005)
-------	------------------

Dimensions

Dimensional drawing	
Width	2 mm
Height	97.4 mm
Depth	90 mm

Environmental and real-life conditions

Ambient conditions

Ambient temperature (storage/transport)	-40 °C ... 85 °C
---	------------------

PLC-ATP BK - Separating plate

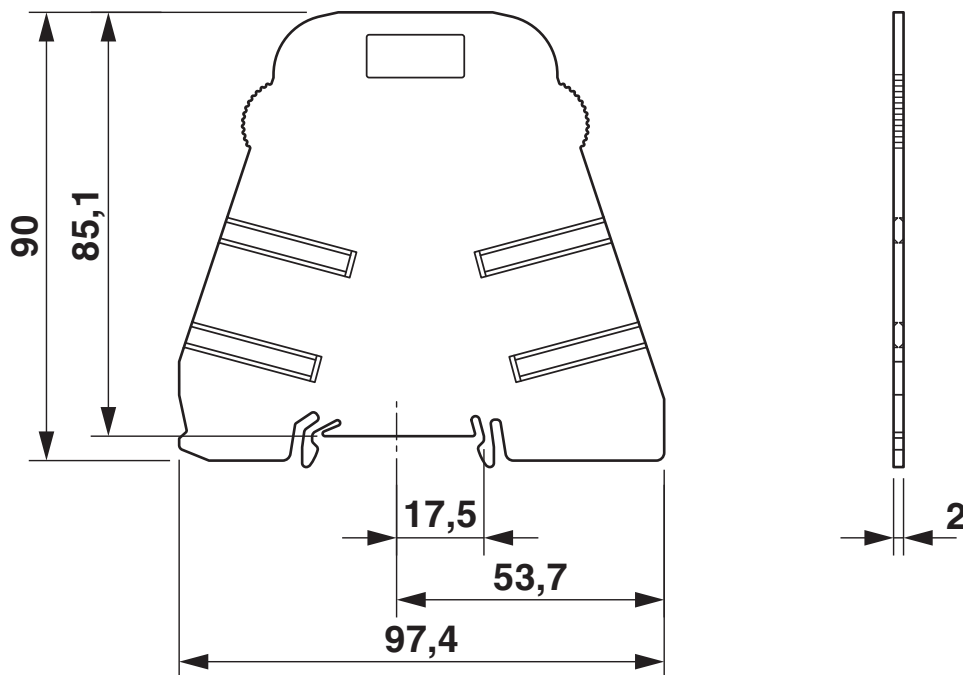
2966841

<https://www.phoenixcontact.com/us/products/2966841>



Drawings

Dimensional drawing



PLC-ATP BK - Separating plate



2966841

<https://www.phoenixcontact.com/us/products/2966841>

Approvals

To download certificates, visit the product detail page: <https://www.phoenixcontact.com/us/products/2966841>



GL

Approval ID: 46016-03 HH



cULus Listed

Approval ID: E140324



cULus Listed

Approval ID: E140324



cULus Listed

Approval ID: E140324



cULus Listed

Approval ID: E199827

PLC-ATP BK - Separating plate



2966841

<https://www.phoenixcontact.com/us/products/2966841>

Classifications

ECLASS

ECLASS-13.0	27371692
ECLASS-15.0	27371692

ETIM

ETIM 10.0	EC002586
-----------	----------

UNSPSC

UNSPSC 21.0	39122300
-------------	----------

PLC-ATP BK - Separating plate



2966841

<https://www.phoenixcontact.com/us/products/2966841>

Environmental product compliance

EU RoHS

Fulfills EU RoHS substance requirements	Yes, No exemptions
---	--------------------

China RoHS

Environment friendly use period (EFUP)	EFUP-E
	No hazardous substances above the limits

EU REACH SVHC

REACH candidate substance (CAS No.)	No substance above 0.1 wt%
-------------------------------------	----------------------------

EF3.1 Climate Change

CO2e kg	0.126 kg CO2e
---------	---------------

Phoenix Contact 2026 © - all rights reserved
<https://www.phoenixcontact.com>

Phoenix Contact USA
586 Fulling Mill Road
Middletown, PA 17057, United States
(+717) 944-1300
info@phoenixcon.com