

UM 45-FLK14/LA/ZFKDS/PLC - Passive module



2965334

<https://www.phoenixcontact.com/us/products/2965334>

Please be informed that the data shown in this PDF document is generated from our online catalog. Please find the complete data in the user documentation. Our general terms of use for downloads are valid.



VARIOFACE COMPACT LINE, interface module for 8 channels, with LED, for assembly on DIN rail NS 35/7.5, spring-cage connection

Your advantages

- Byte-by-byte labeling
- Can be used for digital I/O modules

Commercial data

| | |
|--------------------------------------|--------------------------------|
| Item number | 2965334 |
| Packing unit | 1 pc |
| Note | Made to order (non-returnable) |
| Sales key | C421 |
| Product key | DK21A1 |
| GTIN | 4017918126339 |
| Weight per piece (including packing) | 84.1 g |
| Weight per piece (excluding packing) | 45.55 g |
| Customs tariff number | 85369010 |
| Country of origin | DE |

UM 45-FLK14/LA/ZFKDS/PLC - Passive module



2965334

<https://www.phoenixcontact.com/us/products/2965334>

Technical data

Product properties

| | |
|---------------------|------------------|
| Product type | Interface module |
| Number of positions | 14 |
| No. of channels | 8 |

Insulation characteristics

| | |
|----------------------|-----------------------|
| Insulation | Functional insulation |
| Overvoltage category | II |
| Pollution degree | 2 |

Electrical properties

| | |
|---|---------|
| Nominal voltage U_N | 30 V DC |
| Max. current carrying capacity per branch | 1 A |
| Max. total current of voltage supply | 3 A |
| Rated insulation voltage | 63 V |
| Rated surge voltage | 0.6 kV |

Supported controller: ABB S800 I/O

| | |
|-------------------|-------|
| Suitable I/O card | DI810 |
| | DI818 |
| | DI830 |
| | DI840 |
| | DO810 |
| | DO840 |

Supported controller: ALLEN-BRADLEY ControlLogix

| | |
|-------------------|------------|
| Suitable I/O card | 1756-IB32 |
| | 1756-OB32 |
| | 1756-IB16 |
| | 1756-OB16E |

Supported controller: ALLEN-BRADLEY PLC 5

| | |
|-------------------|----------|
| Suitable I/O card | 1771 IBN |
| | 1771 OBN |

Supported controller: ALLEN-BRADLEY SLC 500

| | |
|-------------------|------------|
| Suitable I/O card | 1746 OB16 |
| | 1746 IB16 |
| | 1746 ITB16 |
| | 1746 IN16 |
| | 1746 OB 32 |
| | 1746 IB 32 |

Supported controller: GE-FANUC 90-30

UM 45-FLK14/LA/ZFKDS/PLC - Passive module



2965334

<https://www.phoenixcontact.com/us/products/2965334>

| | |
|-------------------|--------------|
| Suitable I/O card | IC693 MDL241 |
| | IC693 MDL634 |
| | IC693 MDL645 |
| | IC693 MDL646 |
| | IC693 MDL732 |
| | IC693 MDL740 |
| | IC693 MDL742 |

Supported controller: GE-FANUC RX3i

| | |
|-------------------|-------------|
| Suitable I/O card | IC694MDL754 |
| | IC694MDL660 |

Supported controller: HONEYWELL Experion PKS C200

| | |
|-------------------|------------|
| Suitable I/O card | TC-IDD 321 |
| | TC-ODD 321 |

Supported controller: MITSUBISHI MELSEC L

| | |
|-------------------|----------|
| Suitable I/O card | LX41C4 |
| | LX42C4 |
| | LY41NT1P |
| | LY42NT1P |
| | LY41PT1P |
| | LY42PT1P |

Supported controller: MITSUBISHI MELSEC Q

| | |
|-------------------|---------|
| Suitable I/O card | QX81 |
| | QY81P |
| | QX41 |
| | QX41-S1 |
| | QX42 |
| | QX42-S1 |
| | QY41P |
| | QY42P |
| | QH42P |
| | QX82 |
| | QX82-S1 |
| | QY82P |
| | |

Supported controller: SCHNEIDER ELECTRIC Modicon TSX QUANTUM

| | |
|-------------------|---------|
| Suitable I/O card | DDI 353 |
| | DDI 853 |
| | DDO 353 |

Supported controller: SIEMENS S7-300 / ET 200 M

| | |
|-------------------|---------------|
| Suitable I/O card | CPU 313C-2DP |
| | CPU 314C-2DP |
| | CPU 314C-2PtP |

UM 45-FLK14/LA/ZFKDS/PLC - Passive module



2965334

<https://www.phoenixcontact.com/us/products/2965334>

| | |
|--|--------------------|
| | 6ES7321-1BH02-0AA0 |
| | 6ES7321-1BL00-0AA0 |
| | 6ES7322-1BH01-0AA0 |
| | 6ES7322-1BL00-0AA0 |
| | 6ES7323-1BH01-0AA0 |
| | 6ES7323-1BL00-0AA0 |
| | 6ES7321-1BH10-0AA0 |
| | 6ES7322-1BH10-0AA0 |
| | CPU 313C |
| | CPU 313C-2PtP |

Supported controller: SIEMENS S7-400

| | |
|-------------------|--------------------|
| Suitable I/O card | 6ES7421-1BL01-0AA0 |
| | 6ES7422-1BL00-0AA0 |
| | 6ES7422-7BL00-0AB0 |

Connection data

Field level

| | |
|----------------------------------|---|
| Connection method | Spring-cage connection |
| Stripping length | 8 mm |
| Conductor cross-section rigid | 0.2 mm ² ... 2.5 mm ² |
| Conductor cross-section flexible | 0.2 mm ² ... 1.5 mm ² |
| Conductor cross-section AWG | 24 ... 14 |

Controller level

| | |
|-----------------------|-------------------|
| Connection method | IDC/FLK pin strip |
| Number of connections | 1 |
| Number of positions | 14 |
| Pitch | 2.54 mm |

Signaling

| | |
|------------------------|-----|
| Status display | LED |
| Status display present | yes |

Dimensions

Item dimensions

| | |
|--------|-------|
| Width | 59 mm |
| Height | 45 mm |
| Depth | 50 mm |

Material specifications

| | |
|-----------------------------|------------------|
| Color | green (RAL 6021) |
| Housing insulation material | PVC |

Environmental and real-life conditions

UM 45-FLK14/LA/ZFKDS/PLC - Passive module



2965334

<https://www.phoenixcontact.com/us/products/2965334>

Ambient conditions

| | |
|---|------------------|
| Degree of protection | IP00 |
| Ambient temperature (operation) | -20 °C ... 50 °C |
| Ambient temperature (storage/transport) | -20 °C ... 70 °C |

Standards and regulations

| | |
|-----------------------|--------------|
| Standards/regulations | IEC 60664 |
| | DIN EN 50178 |

Mounting

| | |
|-------------------|-------------------|
| Mounting type | DIN rail mounting |
| Mounting position | any |

Notes

| | |
|--------------------|--|
| Notes on operation | For proper use, the specifications of the installation directive (see Downloads) must be observed. For applications or use with third-party products, the specifications, and the safety and warning instructions of the respective third-party manufacturer must also be met. |
|--------------------|--|

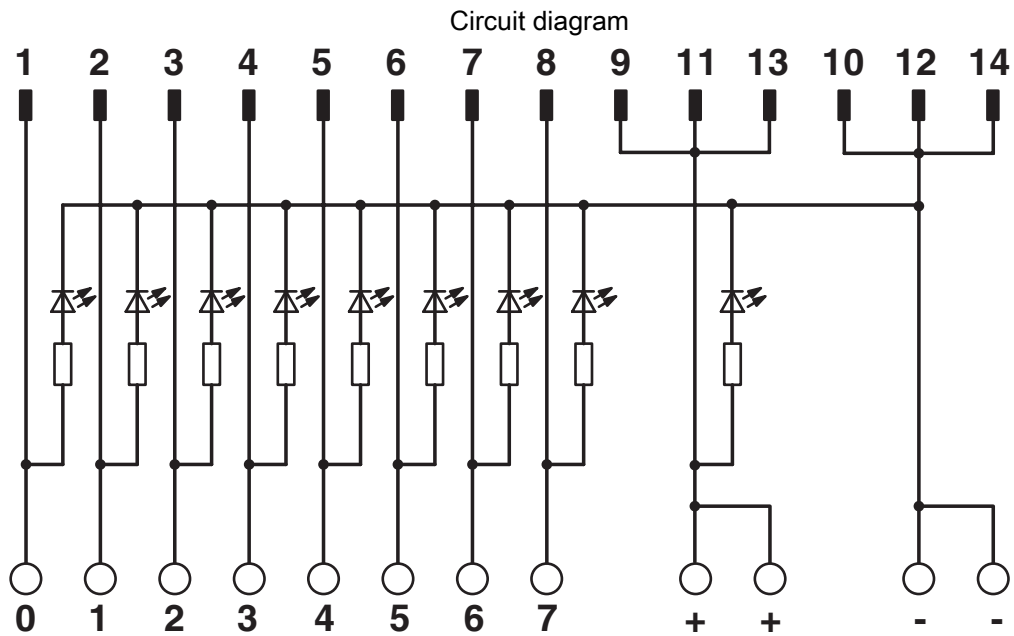
UM 45-FLK14/LA/ZFKDS/PLC - Passive module



2965334

<https://www.phoenixcontact.com/us/products/2965334>

Drawings



UM 45-FLK14/LA/ZFKDS/PLC connection scheme

UM 45-FLK14/LA/ZFKDS/PLC - Passive module



2965334

<https://www.phoenixcontact.com/us/products/2965334>

Classifications

UNSPSC

| | |
|-------------|----------|
| UNSPSC 21.0 | 39121432 |
|-------------|----------|

2965334

<https://www.phoenixcontact.com/us/products/2965334>

Environmental product compliance

EU RoHS

| | |
|---|--------|
| Fulfills EU RoHS substance requirements | Yes |
| Exemption | 7(c)-I |

China RoHS

| | |
|--|---|
| Environment friendly use period (EFUP) | EFUP-50 |
| | An article-related China RoHS declaration table can be found in the download area for the respective article under "Manufacturer declaration". For all articles with EFUP-E, no China RoHS declaration table issued and required. |

EU REACH SVHC

| | |
|-------------------------------------|---|
| REACH candidate substance (CAS No.) | Hexahydromethylphthalic anhydride(CAS: n/a) |
|-------------------------------------|---|

Phoenix Contact 2026 © - all rights reserved
<https://www.phoenixcontact.com>

Phoenix Contact USA
586 Fulling Mill Road
Middletown, PA 17057, United States
(+717) 944-1300
info@phoenixcon.com