

UM 45-FLK14/ 8IM/ZFKDS/PLC - Passive module



2965211

<https://www.phoenixcontact.com/us/products/2965211>

Please be informed that the data shown in this PDF document is generated from our online catalog. Please find the complete data in the user documentation. Our general terms of use for downloads are valid.



VARIOFACE COMPACT LINE, sensor module for the connection of 8 p-n-p sensors, for assembly on DIN rail NS 35/7.5, spring-cage connection

Your advantages

- Can be used for digital I/O modules
- Positive and negative connection per signal
- Byte-by-byte labeling

Commercial data

| | |
|--------------------------------------|--------------------------------|
| Item number | 2965211 |
| Packing unit | 1 pc |
| Minimum order quantity | 1 pc |
| Note | Made to order (non-returnable) |
| Sales key | C421 |
| Product key | DK21A1 |
| GTIN | 4017918125196 |
| Weight per piece (including packing) | 109 g |
| Weight per piece (excluding packing) | 77.47 g |
| Customs tariff number | 85369010 |
| Country of origin | DE |

UM 45-FLK14/ 8IM/ZFKDS/PLC - Passive module



2965211

<https://www.phoenixcontact.com/us/products/2965211>

Technical data

Product properties

| | |
|---------------------|------------------|
| Product type | Interface module |
| Product family | VARIOFACE |
| Number of positions | 14 |
| No. of channels | 8 |

Insulation characteristics: Air clearances and creepage distances

| | |
|----------------------|-----------------------|
| Insulation | Functional insulation |
| Overvoltage category | II |
| Pollution degree | 2 |

Electrical properties

| | |
|--------------------------|-----------|
| Operating voltage (DC) | ≤ 60 V DC |
| Current (per branch) | ≤ 1 A |
| Current (Voltage supply) | ≤ 3 A |

Air clearances and creepage distances

| | |
|--------------------------|--------------------|
| Rated insulation voltage | 63 V |
| Rated surge voltage | 0.6 kV (1.2/50 μs) |

Supported controller: ABB S800 I/O

| | |
|-------------------|-------|
| Suitable I/O card | DI810 |
| | DI811 |
| | DI814 |
| | DI818 |
| | DI830 |
| | DI831 |
| | DI840 |
| | DO810 |
| | DO814 |
| | DO818 |
| | DO840 |

Supported controller: ALLEN-BRADLEY ControlLogix

| | |
|-------------------|------------|
| Suitable I/O card | 1756-IB32 |
| | 1756-OB32 |
| | 1756-IB16 |
| | 1756-IC16 |
| | 1756-OB16E |

Supported controller: ALLEN-BRADLEY PLC 5

| | |
|-------------------|----------|
| Suitable I/O card | 1771 IBN |
| | 1771 OBN |

UM 45-FLK14/ 8IM/ZFKDS/PLC - Passive module



2965211

<https://www.phoenixcontact.com/us/products/2965211>

Supported controller: ALLEN-BRADLEY SLC 500

| | |
|-------------------|------------|
| Suitable I/O card | 1746 OB16 |
| | 1746 OV16 |
| | 1746 OG16 |
| | 1746 IA16 |
| | 1746 ITB16 |
| | 1746 IN16 |
| | 1746 IV16 |
| | 1746 ITV16 |
| | 1746 IG16 |
| | 1746 OB 32 |
| | 1746 OV 32 |
| | 1746 IB 32 |
| | 1746 IV 32 |
| | 1746 IB16 |

Supported controller: GE-FANUC 90-30

| | |
|-------------------|--------------|
| Suitable I/O card | IC693 MDL241 |
| | IC693 MDL634 |
| | IC693 MDL645 |
| | IC693 MDL646 |
| | IC693 MDL732 |
| | IC693 MDL733 |
| | IC693 MDL740 |
| | IC693 MDL741 |
| | IC693 MDL742 |
| | |

Supported controller: GE-FANUC RX3i

| | |
|-------------------|-------------|
| Suitable I/O card | IC694MDL754 |
| | IC694MDL660 |

Supported controller: HONEYWELL Experion PKS C200

| | |
|-------------------|------------|
| Suitable I/O card | TC-IDD 321 |
| | TC-ODD 321 |

Supported controller: MITSUBISHI MELSEC L

| | |
|-------------------|----------|
| Suitable I/O card | LX41C4 |
| | LX42C4 |
| | LY41NT1P |
| | LY42NT1P |
| | LY41PT1P |
| | LY42PT1P |

Supported controller: MITSUBISHI MELSEC Q

| | |
|-------------------|-------|
| Suitable I/O card | QX81 |
| | QY81P |

UM 45-FLK14/ 8IM/ZFKDS/PLC - Passive module



2965211

<https://www.phoenixcontact.com/us/products/2965211>

| | |
|--|---------|
| | QX41 |
| | QX41-S1 |
| | QX42 |
| | QX42-S1 |
| | QX71 |
| | QX72 |
| | QY41P |
| | QY42P |
| | QY71 |
| | QH42P |
| | QX82 |
| | QX82-S1 |
| | QY82P |

Supported controller: SCHNEIDER ELECTRIC Modicon TSX QUANTUM

| | |
|-------------------|---------|
| Suitable I/O card | DDI 353 |
| | DDI 853 |
| | DAI 353 |
| | DAI 453 |
| | DDO 353 |

Supported controller: SIEMENS S7-300 / ET 200 M

| | |
|-------------------|--------------------|
| Suitable I/O card | CPU 313C-2DP |
| | CPU 314C-2DP |
| | CPU 314C-2PtP |
| | 6ES7321-1BH02-0AA0 |
| | 6ES7321-1BL00-0AA0 |
| | 6ES7322-1BH01-0AA0 |
| | 6ES7322-1BL00-0AA0 |
| | 6ES7323-1BH01-0AA0 |
| | 6ES7323-1BL00-0AA0 |
| | 6ES7321-1BH10-0AA0 |
| | 6ES7322-1BH10-0AA0 |
| | CPU 313C |
| | CPU 313C-2PtP |

Supported controller: SIEMENS S7-400

| | |
|-------------------|--------------------|
| Suitable I/O card | 6ES7421-1BL01-0AA0 |
| | 6ES7422-1BL00-0AA0 |
| | 6ES7422-7BL00-0AB0 |

Connection data

Connection 1 (control level)

| | |
|----------------------------------|-------------------|
| Connection in acc. with standard | IEC 60603-13 |
| Connection method | IDC/FLK pin strip |

UM 45-FLK14/ 8IM/ZFKDS/PLC - Passive module



2965211

<https://www.phoenixcontact.com/us/products/2965211>

| | |
|-----------------------------|---------|
| Number of connections | 1 |
| Number of positions | 14 |
| Insertion/withdrawal cycles | > 50 |
| Pitch | 2.54 mm |

Connection 2 (field level)

| | |
|---|---|
| Connection method | Spring-cage connection |
| Stripping length | 7.5 mm |
| Number of positions | 30 |
| Conductor cross-section rigid | 0.2 mm ² ... 2.5 mm ² |
| Conductor cross-section flexible | 0.2 mm ² ... 1.5 mm ² 0.2 mm ² ... 1.5 mm ² 0.25 mm ² ... 1.5 mm ² (Ferrule without plastic sleeve) |
| Conductor cross-section flexible (2 conductors with same cross section) | 0.25 mm ² ... 1.5 mm ² (Ferrule with plastic sleeve) |
| Conductor cross-section AWG | 24 ... 14 |
| Pitch | 5.08 mm |

Signaling

| | |
|------------------------|----|
| Status display present | no |
|------------------------|----|

Dimensions

Item dimensions

| | |
|--------|---------|
| Width | 75 mm |
| Height | 45 mm |
| Depth | 60.7 mm |

Material specifications

| | |
|-----------------------------|------------------|
| Color | green (RAL 6021) |
| Housing insulation material | PVC |

Environmental and real-life conditions

Ambient conditions

| | |
|--|------------------|
| Degree of protection (Module) | IP00 |
| Degree of protection (Installation location) | ≥ IP54 |
| Ambient temperature (operation) | -20 °C ... 50 °C |
| Ambient temperature (storage/transport) | -20 °C ... 70 °C |
| Altitude | ≤ 2000 m |

Approvals

UKCA

| | |
|-------------|----------------|
| Certificate | UKCA-compliant |
|-------------|----------------|

Standards and regulations

UM 45-FLK14/ 8IM/ZFKDS/PLC - Passive module



2965211

<https://www.phoenixcontact.com/us/products/2965211>

Air clearances and creepage distances

| | |
|-----------------------|----------------|
| Standards/regulations | EN IEC 60664-1 |
|-----------------------|----------------|

Mounting

| | |
|-------------------|-------------------|
| Mounting type | DIN rail mounting |
| Mounting position | any |

Notes

| | |
|--------------------|--|
| Notes on operation | For proper use, the specifications of the installation directive (see Downloads) must be observed. For applications or use with third-party products, the specifications, and the safety and warning instructions of the respective third-party manufacturer must also be met. |
|--------------------|--|

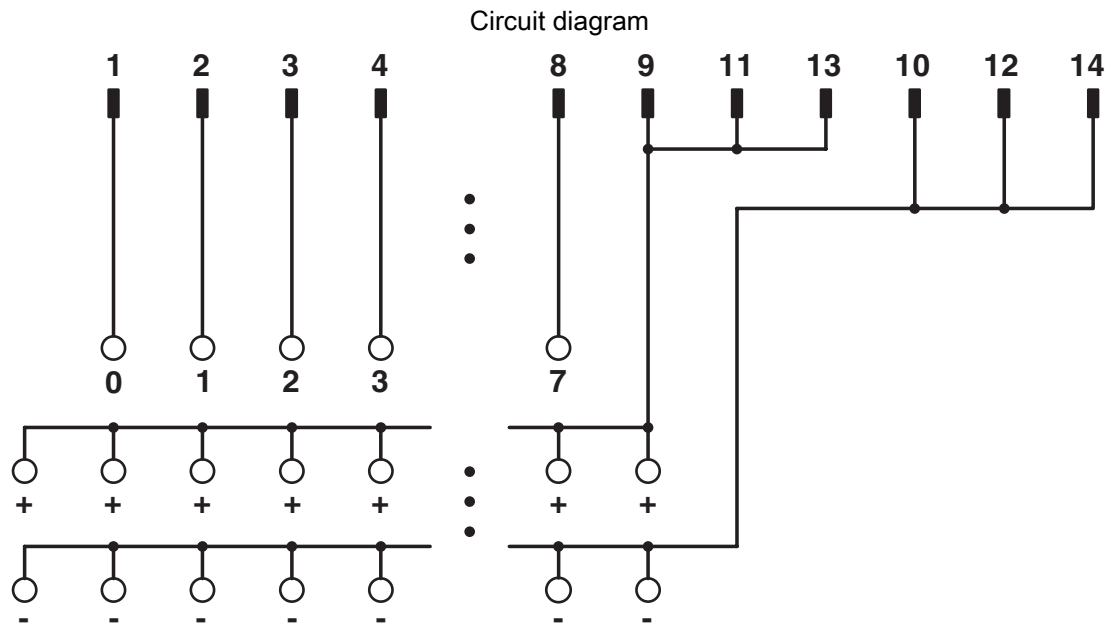
UM 45-FLK14/ 8IM/ZFKDS/PLC - Passive module



2965211

<https://www.phoenixcontact.com/us/products/2965211>

Drawings



UM 45-FLK14/8IM/ZFKDS/PLC connection scheme

UM 45-FLK14/ 8IM/ZFKDS/PLC - Passive module



2965211

<https://www.phoenixcontact.com/us/products/2965211>

Classifications

ECLASS

| | |
|-------------|----------|
| ECLASS-13.0 | 27141152 |
| ECLASS-15.0 | 27141152 |

ETIM

| | |
|-----------|----------|
| ETIM 10.0 | EC002780 |
|-----------|----------|

UNSPSC

| | |
|-------------|----------|
| UNSPSC 21.0 | 39121400 |
|-------------|----------|

UM 45-FLK14/ 8IM/ZFKDS/PLC - Passive module



2965211

<https://www.phoenixcontact.com/us/products/2965211>

Environmental product compliance

EU RoHS

| | |
|---|--------------------|
| Fulfills EU RoHS substance requirements | Yes, No exemptions |
|---|--------------------|

China RoHS

| | |
|--|--|
| Environment friendly use period (EFUP) | EFUP-E |
| | No hazardous substances above the limits |

EU REACH SVHC

| | |
|-------------------------------------|----------------------------|
| REACH candidate substance (CAS No.) | No substance above 0.1 wt% |
|-------------------------------------|----------------------------|

Phoenix Contact 2026 © - all rights reserved
<https://www.phoenixcontact.com>

Phoenix Contact USA
586 Fulling Mill Road
Middletown, PA 17057, United States
(+717) 944-1300
info@phoenixcon.com