

UMK-16 RELS/KSR-G24/21/SLC - Active module



2965185

<https://www.phoenixcontact.com/us/products/2965185>

Please be informed that the data shown in this PDF document is generated from our online catalog. Please find the complete data in the user documentation. Our general terms of use for downloads are valid.



VARIOFACE output module, with plug-in bases for 16 miniature switching relays, for Allen-Bradley SLC 500, OB32 output card

Commercial data

Item number	2965185
Packing unit	1 pc
Note	Made to order (non-returnable)
Sales key	NULL
Product key	DK219R
GTIN	4017918130985
Weight per piece (including packing)	469.5 g
Weight per piece (excluding packing)	373.82 g
Customs tariff number	85364190
Country of origin	DE

Technical data

Product properties

Product type	Interface module
No. of channels	32
Compatible components	Miniature switching relay, REL-MR-24DC/21HC
With components	no

Insulation characteristics

Overvoltage category	III
Pollution degree	2

Electrical properties

Supported controller: ALLEN-BRADLEY SLC 500

Suitable I/O card	1746 OB 32
-------------------	------------

Input data

Nominal input voltage U_N	24 V DC
Input voltage range in reference to U_N	0.8 ... 1.1
Input voltage range	19.2 V DC ... 26.4 V DC
Typical input current at U_N	2 mA (without relay (light indicator))
Protective circuit	Freewheeling diode; Freewheeling diode
Operating voltage display	Green LED
Status display/channel	Yellow LED

Output data

Compatible components	Miniature switching relay, REL-MR-24DC/21HC
-----------------------	---

Switching

Contact switching type	1 changeover contact
Maximum switching voltage	250 V AC/DC
Limiting continuous current	5 A

Connection data

Controller level

Connection method	IDC/FLK pin strip
Number of connections	2
Number of positions	40
Pitch	2.54 mm

Field level

Connection method	Screw connection
Stripping length	8 mm
Screw thread	M3

UMK-16 RELS/KSR-G24/21/SLC - Active module



2965185

<https://www.phoenixcontact.com/us/products/2965185>

Number of connections	52
Number of positions	3
Conductor cross-section rigid	0.2 mm ² ... 4 mm ²
Conductor cross-section flexible	0.2 mm ² ... 2.5 mm ²
Conductor cross-section AWG	24 ... 12

Signaling

Status display present	yes
------------------------	-----

Dimensions

Width	259 mm
Height	90 mm
Depth	68 mm

Material specifications

Color	green (RAL 6021)
Housing insulation material	PVC, side panel PA non-reinforced,

Environmental and real-life conditions

Ambient conditions

Ambient temperature (operation)	-20 °C ... 50 °C
Ambient temperature (storage/transport)	-20 °C ... 70 °C

Standards and regulations

Standards/regulations	IEC 60664
	IEC 60664A
	DIN VDE 0110

Mounting

Assembly note	in rows with zero spacing
Mounting position	any

Notes

Notes on operation	For proper use, the specifications of the installation directive (see Downloads) must be observed. For applications or use with third-party products, the specifications, and the safety and warning instructions of the respective third-party manufacturer must also be met.
--------------------	--

UMK-16 RELS/KSR-G24/21/SLC - Active module

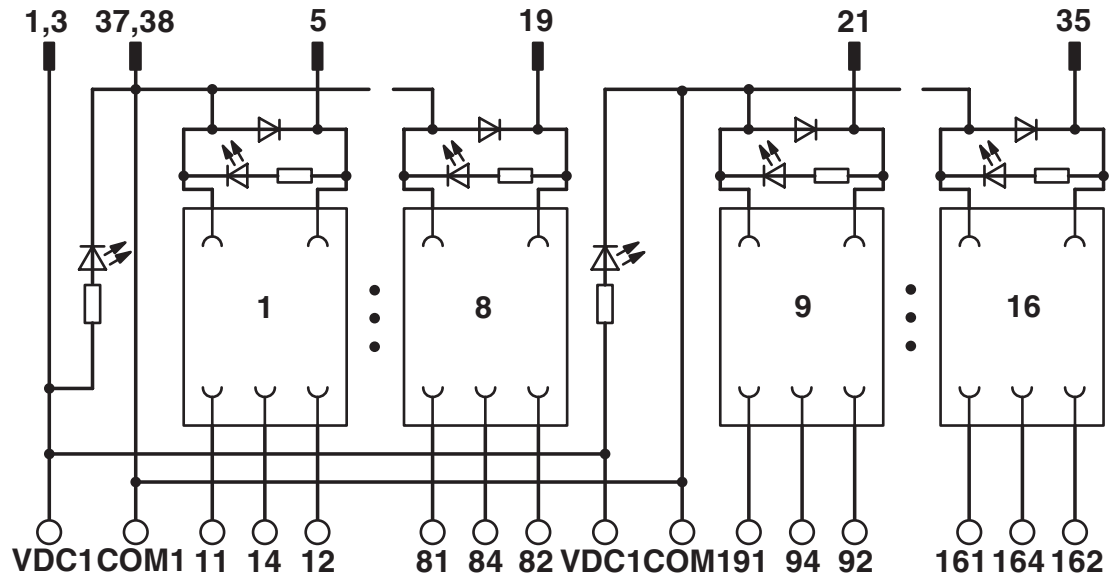


2965185

<https://www.phoenixcontact.com/us/products/2965185>

Drawings

Circuit diagram



UMK-16 RELS/KSR-G24/21/SLC - Active module



2965185

<https://www.phoenixcontact.com/us/products/2965185>

Environmental product compliance

EU REACH SVHC

REACH candidate substance (CAS No.)	No substance above 0.1 wt%
-------------------------------------	----------------------------

Phoenix Contact 2026 © - all rights reserved

<https://www.phoenixcontact.com>

Phoenix Contact USA
586 Fulling Mill Road
Middletown, PA 17057, United States
(+717) 944-1300
info@phoenixcon.com