

IEG-OV-S0/120DC/1 - Solid-state relay module



2964568

<https://www.phoenixcontact.com/us/products/2964568>

Please be informed that the data shown in this PDF document is generated from our online catalog. Please find the complete data in the user documentation. Our general terms of use for downloads are valid.



Power solid-state relay, for S0 meter interfaces, output: 15 - 120 V DC

Commercial data

Item number	2964568
Packing unit	10 pc
Minimum order quantity	1 pc
Product key	DK66M3
GTIN	4017918139254
Weight per piece (including packing)	71.81 g
Weight per piece (excluding packing)	71.11 g
Country of origin	DE

IEG-OV-S0/120DC/1 - Solid-state relay module



2964568

<https://www.phoenixcontact.com/us/products/2964568>

Technical data

Product properties

Product type	Solid-state relay module
Insulation characteristics	
Insulation	Basic insulation
Overvoltage category	III
Pollution degree	2
Data management status	
Date of last data management	01.04.2026

Electrical properties

Rated insulation voltage	300 V
--------------------------	-------

Input data

Typical response time	1 ms
Typical turn-off time	1 ms
Status display	LED
Protective circuit	Reverse polarity protection; Polarity protection diode Surge protection
Transmission frequency	10 Hz

S0 input

Input current "0" signal	< 2 mA
Input current "1" signal	10 mA ... 27 mA

Output data

Design of digital output	electronic
Output voltage range	15 V DC ... 120 V DC
Limiting continuous current	1.5 A (maximum)
Voltage drop at max. limiting continuous current	1.4 V DC
Output circuit	2-conductor, floating
Protective circuit	Reverse polarity protection Surge protection

Connection data

Input side

Connection method	Screw connection
Stripping length	8 mm
Screw thread	M3
Conductor cross-section rigid	0.2 mm ² ... 4 mm ²
Conductor cross-section flexible	0.2 mm ² ... 4 mm ²
Conductor cross-section AWG	24 ... 12

IEG-OV-S0/120DC/1 - Solid-state relay module



2964568

<https://www.phoenixcontact.com/us/products/2964568>

Output side

Connection method	Screw connection
Stripping length	8 mm
Screw thread	M3
Conductor cross-section rigid	0.2 mm ² ... 4 mm ²
Conductor cross-section flexible	0.2 mm ² ... 4 mm ²
Conductor cross-section AWG	24 ... 12

Dimensions

Width	27 mm
Height	79 mm
Depth	74 mm

Environmental and real-life conditions

Ambient conditions

Ambient temperature (operation)	-20 °C ... 60 °C
Ambient temperature (storage/transport)	-20 °C ... 60 °C

Approvals

CE

Certificate	CE-compliant
-------------	--------------

EMC data

Electromagnetic compatibility	Conformance with EMC directive
Low Voltage Directive	Conformance with Low Voltage Directive
Noise immunity	EN 61000-6-2

Noise emission

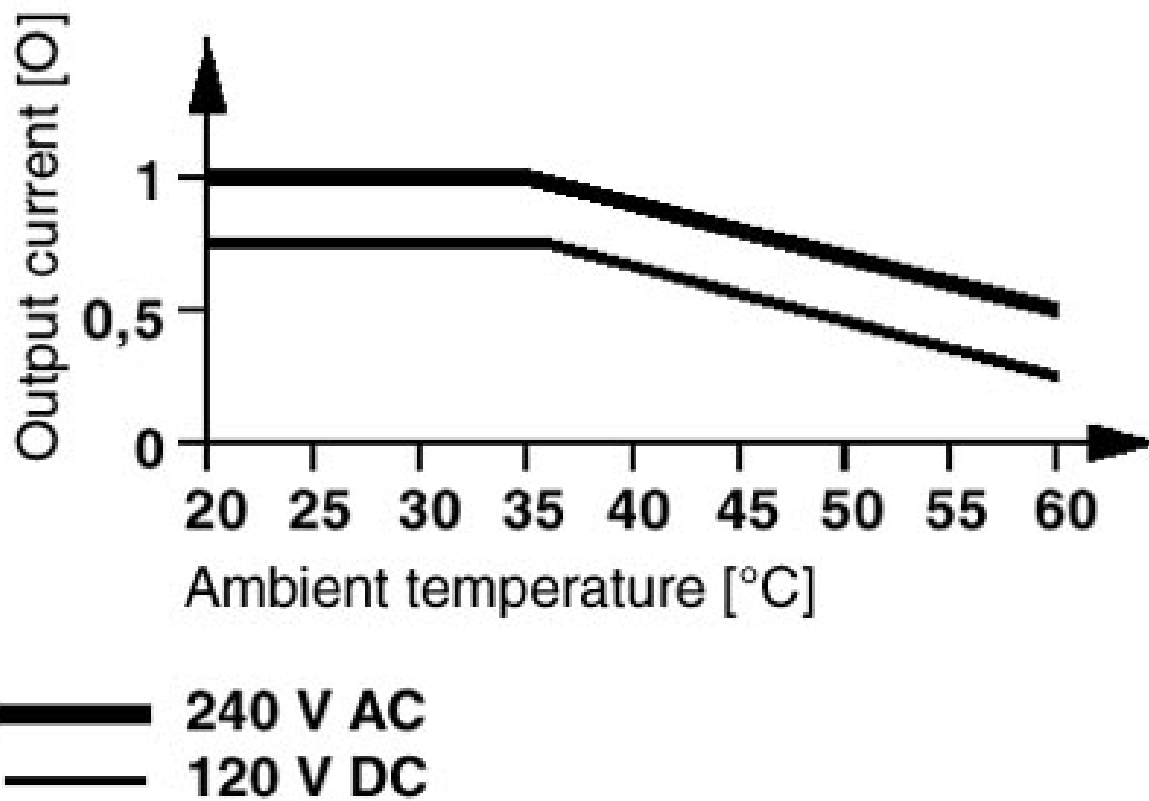
Standards/regulations	EN 61000-6-4
-----------------------	--------------

Mounting

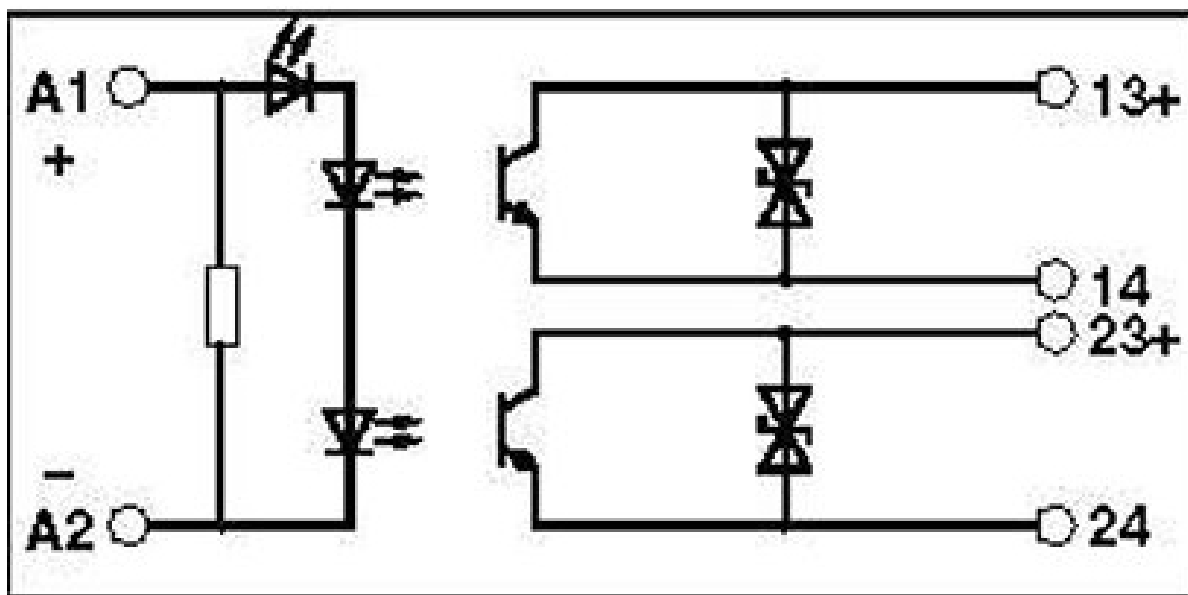
Mounting type	DIN rail mounting
Mounting position	any

Drawings

Diagram



Circuit diagram



IEG-OV-S0/120DC/1 - Solid-state relay module



2964568

<https://www.phoenixcontact.com/us/products/2964568>

Environmental product compliance

China RoHS

Environment friendly use period (EFUP)	EFUP-50
	An article-related China RoHS declaration table can be found in the download area for the respective article under "Manufacturer declaration". For all articles with EFUP-E, no China RoHS declaration table issued and required.

EU REACH SVHC

REACH candidate substance (CAS No.)	No substance above 0.1 wt%
-------------------------------------	----------------------------

Phoenix Contact 2026 © - all rights reserved
<https://www.phoenixcontact.com>

Phoenix Contact USA
586 Fulling Mill Road
Middletown, PA 17057, United States
(+717) 944-1300
info@phoenixcon.com