

PSR-SPP- 24UC/ESA2/4X1/1X2/B - Safety relays



2963954

<https://www.phoenixcontact.com/us/products/2963954>

Please be informed that the data shown in this PDF document is generated from our online catalog. Please find the complete data in the user documentation. Our general terms of use for downloads are valid.



The figure shows a version with a screw connection

Safety relay for emergency stop and safety door up to SIL 1, Cat. 1, PL c, depending on the application up to SIL 3, Cat. 4, PL e, single-channel operation, 4 enabling current paths, $U_S = 24 \text{ V DC}$, pluggable Push-in terminal block

Your advantages

- Up to Cat. 1/PL c in accordance with ISO 13849-1, SIL 1 in accordance with EN IEC 62061, SIL 1 in accordance with IEC 61508
- Depending on the application, up to Cat. 4/PL e in accordance with ISO 13849-1, SIL 3 in accordance with EN IEC 62061, SIL 3 in accordance with IEC 61508
- Basic insulation
- 1-channel control

Commercial data

Item number	2963954
Packing unit	1 pc
Minimum order quantity	1 pc
Sales key	DN01
Product key	DNA111
GTIN	4017918904821
Weight per piece (including packing)	199.4 g
Weight per piece (excluding packing)	194.38 g
Customs tariff number	85371098
Country of origin	DE

Technical data

Notes

Note on application

Note on application	Only for industrial use
---------------------	-------------------------

Product properties

Product type	Safety relays
Product family	PSRclassic
Application	Emergency stop Safety door
Control	1-channel
Mechanical service life	10x 10 ⁶ cycles
Relay type	Electromechanical relay with force-guided contacts in accordance with IEC/EN 61810-3

Insulation characteristics

Overvoltage category	III
Degree of pollution	2

Times

Typical response time	< 100 ms (For U _s autostart)
	< 100 ms (with U _s manual start)
Typ. starting time with U _s	< 100 ms (with U _s / when controlled via A1)
Typical release time	< 10 ms (At U _s on demand via sensor circuit)
	< 100 ms (At U _s /on demand via A1)
Restart time	< 1 s (Boot time)
Recovery time	< 1 s (following demand of the safety function)
Start pulse length	≥ 500 ms (manual start)

Electrical properties

Maximum power dissipation for nominal condition	16 W (U _S = 26.4 V, I _L ² = 72 A ² , P _{Total max} = 1.6 W + 14.4 W)
Nominal operating mode	100% operating factor
Rated insulation voltage	250 V AC
Rated surge voltage/insulation	Basic insulation 4 kV: between all current paths and housing Safe isolation, reinforced insulation 6 kV: between A1/A2 and 13/14, 23/24, 33/34, 43/44 between S11/S12/S33/S34 and 13/14, 23/24, 33/34, 43/44 between 51/52 and 13/14, 23/24, 33/34, 43/44

Supply

Rated control circuit supply voltage U _S	24 V DC -15 % / +10 %
Rated control supply current I _S	typ. 55 mA (at U _S)
Power consumption at U _S	typ. 1.32 W
Inrush current	< 3.5 A (typ. with U _S , Δt = 2 ms)

2963954

<https://www.phoenixcontact.com/us/products/2963954>

Filter time	2 ms (in the event of voltage dips at U_S)
Protective circuit	Serial protection against polarity reversal; Suppressor diode

Input data

Digital: Logic (S12)

Description of the input	safety-related
Number of inputs	1
Input voltage range "0" signal	0 V DC ... 5 V DC
Input voltage range "1" signal	20.4 V ... 26.4 V
Input current range "0" signal	0 mA ... 2 mA
Inrush current	80 mA (typ. with U_S , $\Delta t = 150$ ms)
Filter time	No brightness test pulses / high test pulses permitted.
	1 ms (Test pulse width of low test pulses)
	1 s (Test pulse rate for low test pulse)
Max. permissible overall conductor resistance	50 Ω
Protective circuit	Suppressor diode
Current consumption	typ. 50 mA (with U_S at S11)
	typ. 52 mA (with U_S supplied externally)

Digital: Start circuit (S34)

Description of the input	non-safety-related
Number of inputs	1
Input voltage range "1" signal	20.4 V ... 26.4 V
Inrush current	< 6 mA (typ. with U_S , $\Delta t = 65$ ms)
Filter time	No test pulses permitted
Max. permissible overall conductor resistance	50 Ω
Protective circuit	Suppressor diode
Current consumption	0 mA (typ. with U_S)

Output data

Relay: Enabling current paths

Output description	2 N/O contacts in series, safety-related, floating
Number of outputs	4
Contact switching type	4 enabling current paths
Contact material	AgSnO ₂
Switching voltage	min. 10 V
	max. 250 V AC/DC
Switching power	min. 100 mW
Inrush current	min. 10 mA
	max. ($\Delta t = 100$ ms)
Switching capacity	3 A (AC15)
	5 A (DC13)
Limiting continuous current	6 A

PSR-SPP- 24UC/ESA2/4X1/1X2/B - Safety relays



2963954

<https://www.phoenixcontact.com/us/products/2963954>

Sq. Total current	72 A ² (observe derating)
Switching frequency	max. 0.5 Hz
Mechanical service life	10 ⁷ cycles
Output fuse	10 A gL/gG (High demand) 4 A gL/gG (Low demand)

Relay: Signaling current path (51/52)

Output description	2 N/C contacts parallel, non-safety-related, floating
Number of outputs	1
Contact switching type	1 signaling current path
Contact material	AgSnO ₂
Switching voltage	min. 5 V max. 250 V AC/DC
Switching power	min. 50 mW
Inrush current	min. 10 mA max. 6 A
Switching capacity	1.5 A (AC15) 5 A (DC13)
Limiting continuous current	6 A
Sq. Total current	36 A ² (observe derating)
Switching frequency	max. 0.5 Hz
Mechanical service life	10 ⁷ cycles
Output fuse	6 A gL/gG

Connection data

Connection technology

pluggable	yes
-----------	-----

Conductor connection

Connection method	Push-in connection
Conductor cross-section rigid	0.2 mm ² ... 1.5 mm ²
Conductor cross-section flexible	0.2 mm ² ... 1.5 mm ²
Conductor cross-section, flexible, with ferrule, with plastic sleeve	0.25 mm ² ... 1.5 mm ² (only together with CRIMPFOX 6)
Conductor cross-section, flexible, with ferrule, without plastic sleeve	0.25 mm ² ... 1.5 mm ² (only together with CRIMPFOX 6)
Conductor cross-section AWG	24 ... 16
Stripping length	8 mm

Signaling

Status display	2 x LED (green)
Operating voltage display	1 x LED (green)

Dimensions

Width	22.5 mm
Height	112 mm

PSR-SPP- 24UC/ESA2/4X1/1X2/B - Safety relays



2963954

<https://www.phoenixcontact.com/us/products/2963954>

Depth	114.5 mm
-------	----------

Material specifications

Color (Housing)	yellow (RAL 1018)
Housing material	PA

Characteristics

Safety data

Stop category (EN 60204-1)	0
----------------------------	---

Safety data: EN ISO 13849

Performance level (PL)	e (3 A DC13; 3 A AC15; 8760 switching cycles/year)
	e (5 A DC13; 3 A AC15; 4380 switching cycles/year)

Safety data: IEC 61508 - High demand

Safety Integrity Level (SIL)	3
------------------------------	---

Safety data: IEC 61508 - Low demand

Safety Integrity Level (SIL)	3
------------------------------	---

Safety data: EN IEC 62061

Safety Integrity Level (SIL)	3
------------------------------	---

Environmental and real-life conditions

Ambient conditions

Degree of protection	IP20
Min. degree of protection of inst. location	IP54
Ambient temperature (operation)	-20 °C ... 65 °C (observe derating)
Ambient temperature (storage/transport)	-40 °C ... 70 °C
Maximum altitude	≤ 2000 m (Above sea level)
Max. permissible humidity (storage/transport)	75 % (on average, 85% infrequently, non-condensing)
Max. permissible relative humidity (operation)	75 % (on average, 85% infrequently, non-condensing)
Shock	15g
Vibration (operation)	10 Hz ... 150 Hz, 2g

Approvals

CE

Identification	CE-compliant
----------------	--------------

Mounting

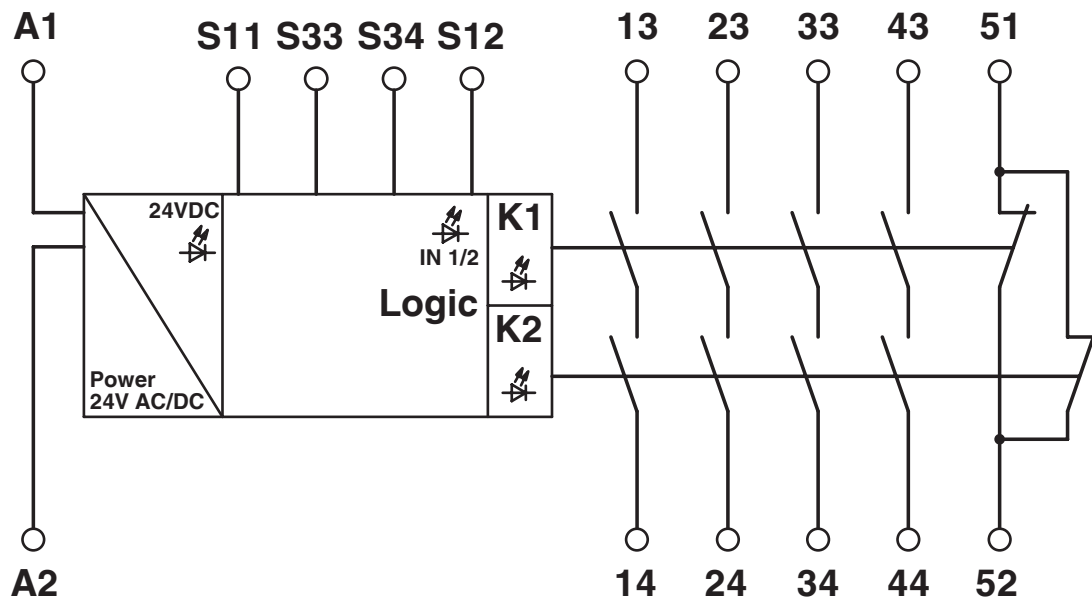
Mounting type	DIN rail mounting
Assembly note	See derating curve
Mounting position	vertical or horizontal

2963954

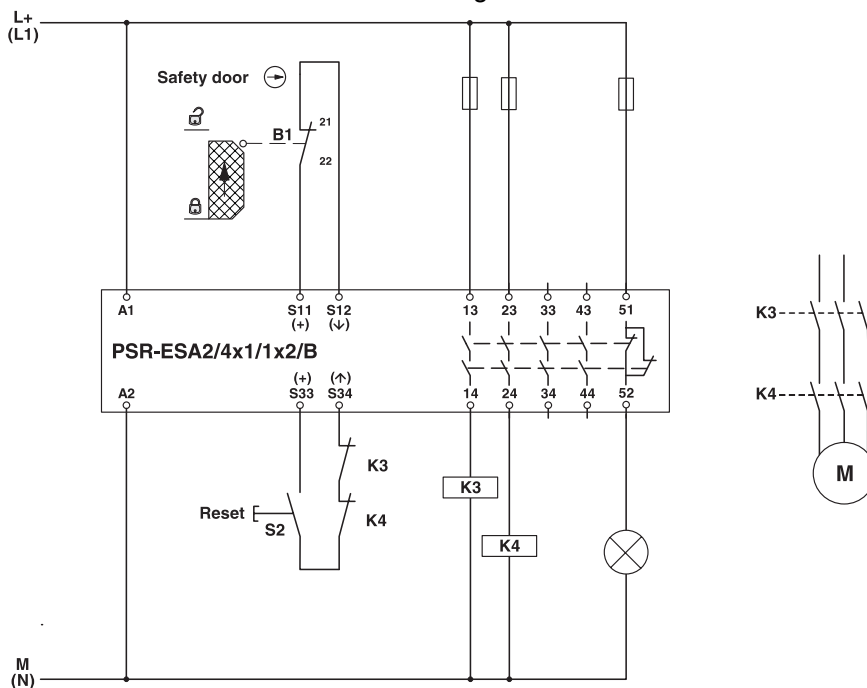
<https://www.phoenixcontact.com/us/products/2963954>

Drawings

Circuit diagram



Circuit diagram



Single-channel safety door monitoring

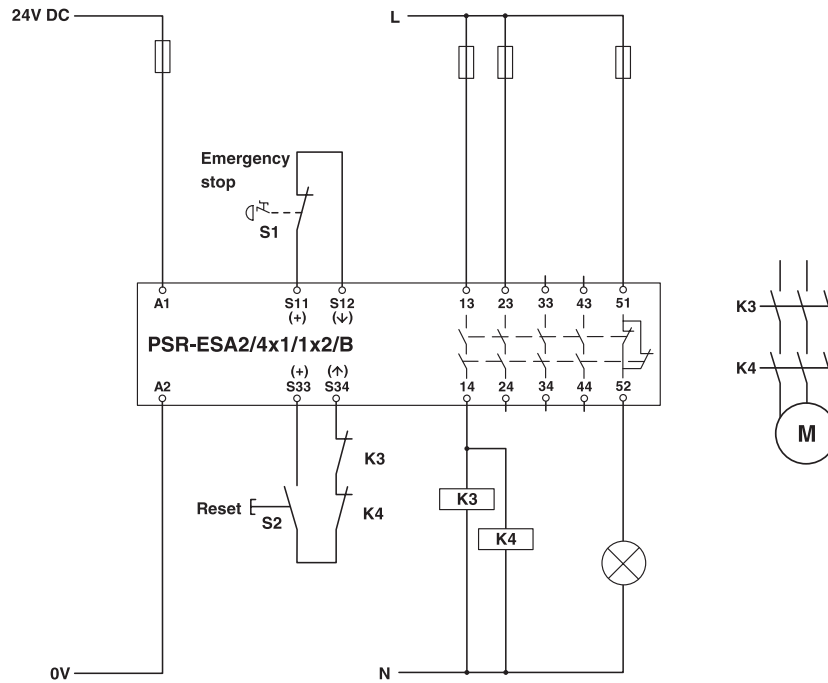
PSR-SPP- 24UC/ESA2/4X1/1X2/B - Safety relays



2963954

<https://www.phoenixcontact.com/us/products/2963954>

Circuit diagram



Single-channel emergency stop monitoring

PSR-SPP- 24UC/ESA2/4X1/1X2/B - Safety relays



2963954

<https://www.phoenixcontact.com/us/products/2963954>

Approvals

To download certificates, visit the product detail page: <https://www.phoenixcontact.com/us/products/2963954>



cULus Listed

Approval ID: E140324



Functional Safety

Approval ID: 01/205/0653.05/23

2963954

<https://www.phoenixcontact.com/us/products/2963954>

Classifications

ECLASS

ECLASS-13.0	27371819
ECLASS-15.0	27371819
ECLASS-15.0 ASSET	27250101

ETIM

ETIM 10.0	EC001449
-----------	----------

UNSPSC

UNSPSC 21.0	39122200
-------------	----------

2963954

<https://www.phoenixcontact.com/us/products/2963954>

Environmental product compliance

EU RoHS

Fulfills EU RoHS substance requirements	Yes
Exemption	7(a), 7(c)-I

China RoHS

Environment friendly use period (EFUP)	EFUP-50
	An article-related China RoHS declaration table can be found in the download area for the respective article under "Manufacturer declaration". For all articles with EFUP-E, no China RoHS declaration table issued and required.

EU REACH SVHC

REACH candidate substance (CAS No.)	Lead(CAS: 7439-92-1)
SCIP	12e2e031-74e8-4383-92d5-da2739a676f9

EF3.1 Climate Change

CO2e kg	4.88 kg CO2e
---------	--------------

Phoenix Contact 2026 © - all rights reserved
<https://www.phoenixcontact.com>

Phoenix Contact USA
 586 Fulling Mill Road
 Middletown, PA 17057, United States
 (+717) 944-1300
info@phoenixcon.com