

PSR-SCP- 24UC/ESD/4X1/1X2/600 - Safety relays



2963789

<https://www.phoenixcontact.com/us/products/2963789>

Please be informed that the data shown in this PDF document is generated from our online catalog. Please find the complete data in the user documentation. Our general terms of use for downloads are valid.



Safety relay for emergency stop and safety door monitoring up to SIL 3 or Cat. 4, PL e in accordance with EN ISO 13849 with adjustable delay time of 0 ... 600 s

Commercial data

Item number	2963789
Packing unit	1 pc
Note	Made to order (non-returnable)
Sales key	DN01
Product key	DNA131
GTIN	4017918890377
Weight per piece (including packing)	404.6 g
Weight per piece (excluding packing)	404.6 g
Customs tariff number	85371098
Country of origin	DE

Technical data

Product properties

Product type	Safety relays
Application	Emergency stop
	Safety door
Mechanical service life	approx. 10^7 cycles

Insulation characteristics: Air clearances and creepage distances between the power circuits

Overvoltage category	III
Degree of pollution	2

Electrical properties

Maximum power dissipation for nominal condition	6.36 W
Nominal operating mode	100% operating factor

Air clearances and creepage distances between the power circuits

Rated insulation voltage	250 V
Rated surge voltage/insulation	4 kV / basic insulation

Input data

General

Nominal input voltage U_N	24 V AC/DC (further voltages on request)
Input voltage range in reference to U_N	0.85 ... 1.1
Typical input current at U_N	550 mA AC
	265 mA DC
Voltage at input/start and feedback circuit	approx.
Typical response time	45 ms
Typical release time	45 ms (release time(K3,K4) can be set to 0.05 s ... 600 s)
Concurrence	1 s
Recovery time	1 s

Output data

Contact switching type	4 enabling current paths
	1 signaling current path
Contact material	AgSnO ₂ , + 0.2 μm Au
Maximum switching voltage	250 V AC/DC
Minimum switching voltage	15 V AC/DC
Limiting continuous current	6 A (total current on request)
Maximum inrush current	6 A
Inrush current, minimum	25 mA
Interrupting rating (ohmic load) max.	on request
Maximum interrupting rating (inductive load)	on request
Switching power min.	0.4 W

PSR-SCP- 24UC/ESD/4X1/1X2/600 - Safety relays



2963789

<https://www.phoenixcontact.com/us/products/2963789>

Output fuse	6 A (fast-blow)
-------------	-----------------

Connection data

Conductor connection

Connection method	Screw connection
Conductor cross-section, rigid	0.2 mm ² ... 2.5 mm ²
Conductor cross-section, flexible	0.2 mm ² ... 2.5 mm ²
Conductor cross-section AWG	24 ... 12
Stripping length	7 mm
Screw thread	M3

Dimensions

Width	35 mm
Height	99 mm
Depth	114.5 mm

Material specifications

Color	yellow
-------	--------

Characteristics

Safety data

Stop category	0
	1

Safety data: EN ISO 13849

Performance level (PL)	e
------------------------	---

Environmental and real-life conditions

Ambient conditions

Degree of protection	IP54
	IP20
Min. degree of protection of inst. location	IP54
Ambient temperature (operation)	-20 °C ... 55 °C
Ambient temperature (storage/transport)	-40 °C ... 70 °C
Max. permissible humidity (storage/transport)	75 % (on average, 85% infrequently, non-condensing)
Max. permissible relative humidity (operation)	75 % (on average, 85% infrequently, non-condensing)

Standards and regulations

Air clearances and creepage distances between the power circuits

Standards/regulations	DIN EN 50178/VDE 0160
-----------------------	-----------------------

Mounting

Mounting type	DIN rail mounting
---------------	-------------------

PSR-SCP- 24UC/ESD/4X1/1X2/600 - Safety relays



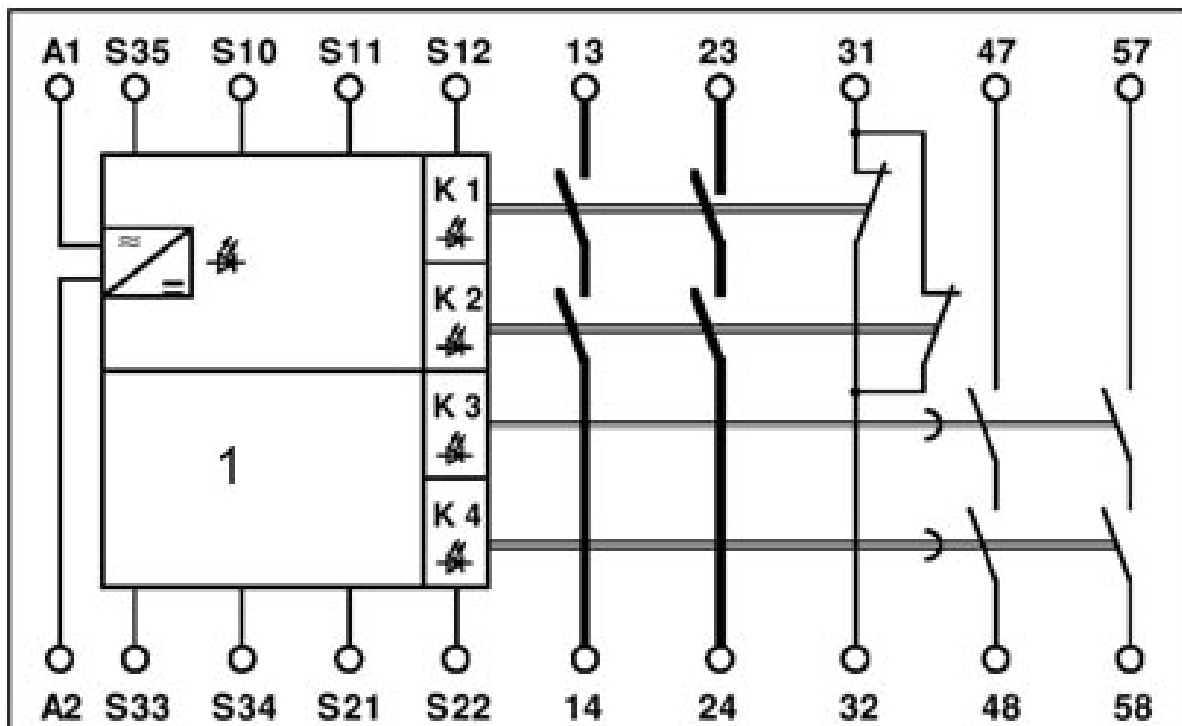
2963789

<https://www.phoenixcontact.com/us/products/2963789>

Assembly note	in rows with zero spacing
Mounting position	any

Drawings

Circuit diagram



1 = logics

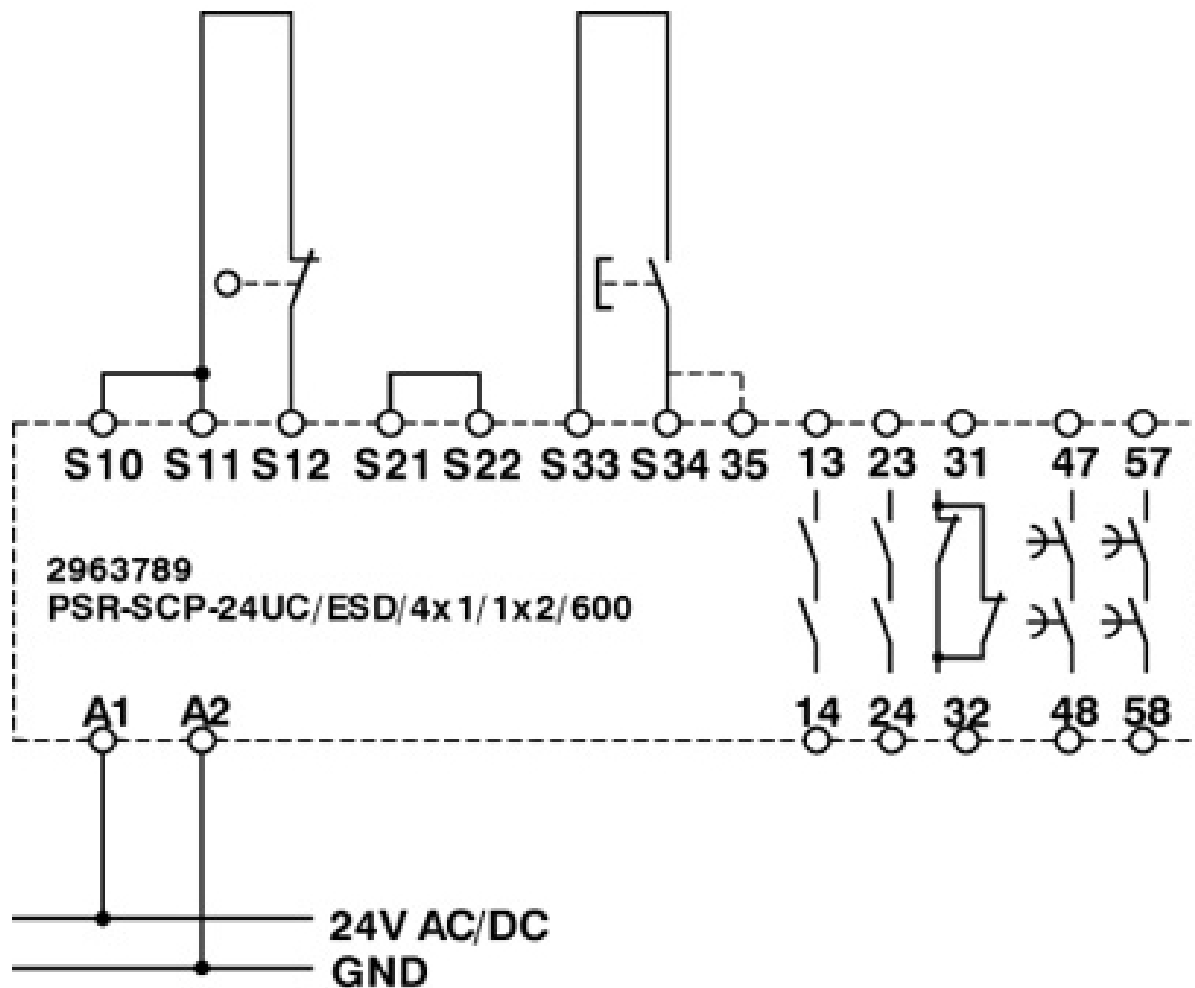
PSR-SCP- 24UC/ESD/4X1/1X2/600 - Safety relays



2963789

<https://www.phoenixcontact.com/us/products/2963789>

Circuit diagram



Single-channel protection door monitor with delayed contacts (0.05-600 sec.) and manual activation, (bridge on S34/S35: automatic activation) suitable up to safety category 2.

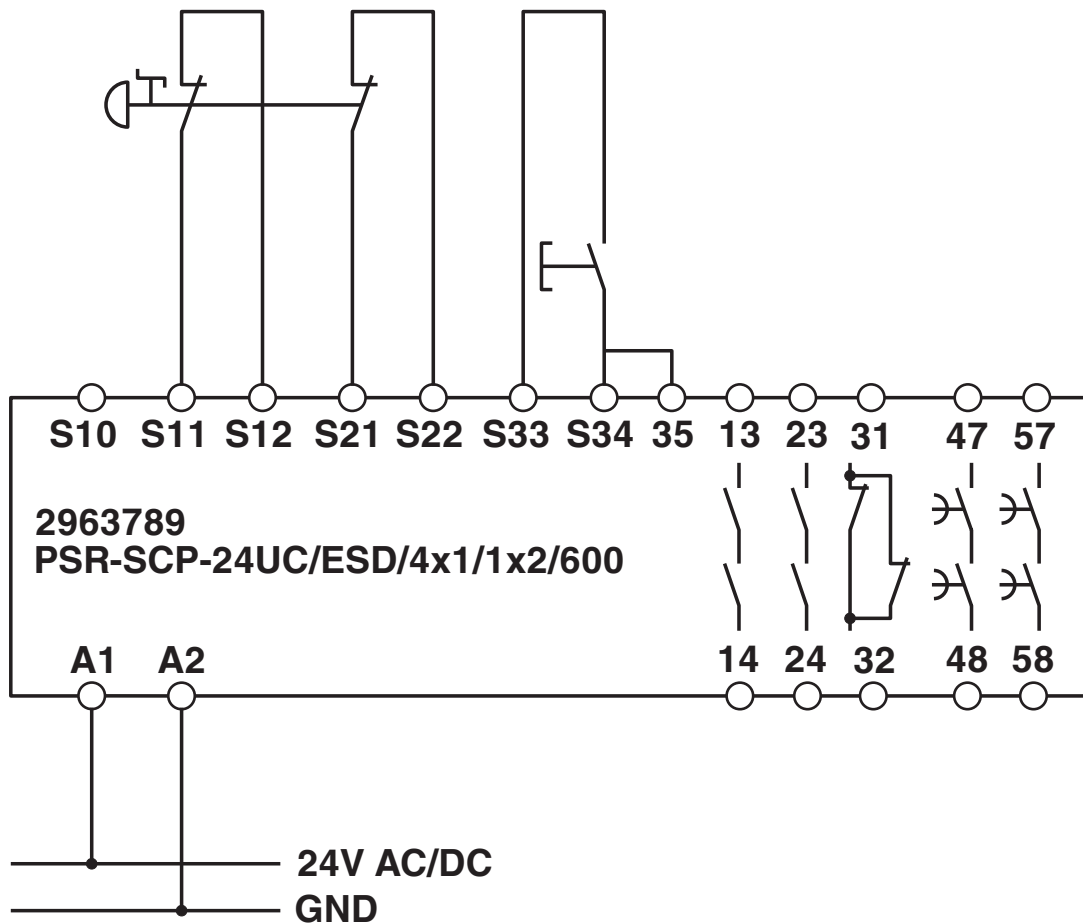
PSR-SCP- 24UC/ESD/4X1/1X2/600 - Safety relays



2963789

<https://www.phoenixcontact.com/us/products/2963789>

Circuit diagram



Two-channel emergency stop circuit with delayed contacts (0.05-600 sec.) and manual activation, (bridge on S34/S35: automatic activation) suitable up to safety category 4.

PSR-SCP- 24UC/ESD/4X1/1X2/600 - Safety relays



2963789

<https://www.phoenixcontact.com/us/products/2963789>

Environmental product compliance

EU RoHS

Fulfills EU RoHS substance requirements	Yes
Exemption	6(c)

EU REACH SVHC

REACH candidate substance (CAS No.)	Lead(CAS: 7439-92-1)
-------------------------------------	----------------------

Phoenix Contact 2026 © - all rights reserved
<https://www.phoenixcontact.com>

Phoenix Contact USA
586 Fulling Mill Road
Middletown, PA 17057, United States
(+717) 944-1300
info@phoenixcon.com