

# SD-D/SP/LA/YE - Socket

2963475

<https://www.phoenixcontact.com/us/products/2963475>

Please be informed that the data shown in this PDF document is generated from our online catalog. Please find the complete data in the user documentation. Our general terms of use for downloads are valid.

Socket, color: yellow, standards/specifications: IEC 83, DIN 49440-1



## Commercial data

Item number	2963475
Packing unit	1 pc
Note	Made to order (non-returnable)
Sales key	BE76
Product key	BE7621
GTIN	4017918590536
Weight per piece (including packing)	76.1 g
Weight per piece (excluding packing)	59.89 g
Customs tariff number	85366990
Country of origin	GR

# SD-D/SP/LA/YE - Socket



2963475

<https://www.phoenixcontact.com/us/products/2963475>

## Technical data

### Product properties

Product type	Socket
For country-specific use in	D

### Signaling

Status display	Glow lamp or LED with preresistor
----------------	-----------------------------------

### Dimensions

Width	45 mm
Height	75 mm
Depth	65.2 mm

### Material specifications

Color	yellow
Insulating material	PA
Contact material	CuZn38

### Environmental and real-life conditions

#### Ambient conditions

Degree of protection	IP20
Ambient temperature (operation)	-20 °C ... 60 °C
Ambient temperature (storage/transport)	-20 °C ... 60 °C

### Standards and regulations

#### Standards

Standards/regulations	IEC 83
	DIN 49440-1

# SD-D/SP/LA/YE - Socket

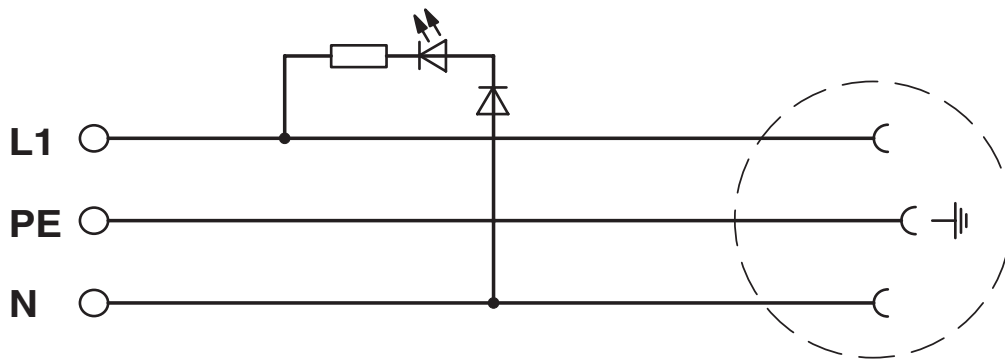
2963475

<https://www.phoenixcontact.com/us/products/2963475>



## Drawings

Circuit diagram



# SD-D/SP/LA/YE - Socket



2963475

<https://www.phoenixcontact.com/us/products/2963475>

## Environmental product compliance

### EU RoHS

Fulfills EU RoHS substance requirements	Yes
Exemption	7(a)

### China RoHS

Environment friendly use period (EFUP)	EFUP-50
	An article-related China RoHS declaration table can be found in the download area for the respective article under "Manufacturer declaration". For all articles with EFUP-E, no China RoHS declaration table issued and required.

### EU REACH SVHC

REACH candidate substance (CAS No.)	Hexahydromethylphthalic anhydride(CAS: n/a)
	Lead(CAS: 7439-92-1)

Phoenix Contact 2026 © - all rights reserved

<https://www.phoenixcontact.com>

Phoenix Contact USA  
586 Fulling Mill Road  
Middletown, PA 17057, United States  
(+717) 944-1300  
[info@phoenixcon.com](mailto:info@phoenixcon.com)