

# SD-F/SP/LA - Socket

2963349

<https://www.phoenixcontact.com/us/products/2963349>

Please be informed that the data shown in this PDF document is generated from our online catalog. Please find the complete data in the user documentation. Our general terms of use for downloads are valid.

Socket, color: green, standards/specifications: IEC 83, DIN 49440-1



## Commercial data

Item number	2963349
Packing unit	5 pc
Minimum order quantity	1 pc
Product key	BE7622
GTIN	4017918190705
Weight per piece (including packing)	78.57 g
Weight per piece (excluding packing)	78.57 g
Country of origin	GR

## Technical data

### Product properties

Product type	Socket
For country-specific use in	F

### Signaling

Status display	Glow lamp or LED with preresistor
----------------	-----------------------------------

### Dimensions

Width	45 mm
Height	75 mm
Depth	70.5 mm

### Material specifications

Color	green
Insulating material	PA
Contact material	CuZn38

### Environmental and real-life conditions

#### Ambient conditions

Degree of protection	IP20
Ambient temperature (operation)	-20 °C ... 60 °C
Ambient temperature (storage/transport)	-20 °C ... 60 °C

### Standards and regulations

#### Standards

Standards/regulations	IEC 83
	DIN 49440-1

# SD-F/SP/LA - Socket

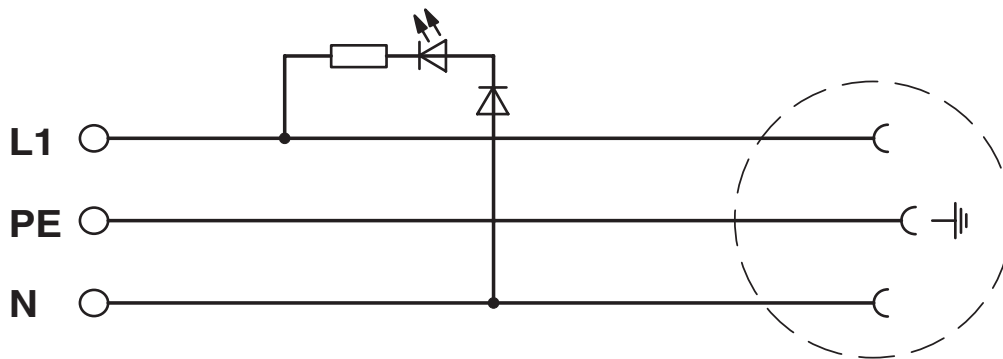
2963349

<https://www.phoenixcontact.com/us/products/2963349>



## Drawings

Circuit diagram



# SD-F/SP/LA - Socket



2963349

<https://www.phoenixcontact.com/us/products/2963349>

## Environmental product compliance

### China RoHS

Environment friendly use period (EFUP)	EFUP-50
	An article-related China RoHS declaration table can be found in the download area for the respective article under "Manufacturer declaration". For all articles with EFUP-E, no China RoHS declaration table issued and required.

### EU REACH SVHC

REACH candidate substance (CAS No.)	No substance above 0.1 wt%
-------------------------------------	----------------------------

Phoenix Contact 2026 © - all rights reserved  
<https://www.phoenixcontact.com>

Phoenix Contact USA  
586 Fulling Mill Road  
Middletown, PA 17057, United States  
(+717) 944-1300  
[info@phoenixcon.com](mailto:info@phoenixcon.com)