

# IEG 45-3LA/400/21 - Monitoring block



2963268

<https://www.phoenixcontact.com/us/products/2963268>

Please be informed that the data shown in this PDF document is generated from our online catalog. Please find the complete data in the user documentation. Our general terms of use for downloads are valid.



Voltage indication modules, with relay contact output, 1 changeover contact, operating voltage 400 V AC

## Commercial data

Item number	2963268
Packing unit	1 pc
Note	Made to order (non-returnable)
Sales key	C440
Product key	DK66M3
GTIN	4017918362324
Weight per piece (including packing)	110.08 g
Weight per piece (excluding packing)	110.08 g
Customs tariff number	85318070
Country of origin	DE

## Technical data

### Product properties

Product type	Display module
Indication elements	Glow lamp (green cover)
Mechanical service life	approx. $2 \times 10^7$ cycles

### Insulation characteristics

Insulation	Basic insulation
Overvoltage category	III
Pollution degree	2

### Electrical properties

Voltage LED	$\geq 100$ V AC
Current required per light indicator	5.3 mA (for $U_N$ , L1)
	5.3 mA (for $U_N$ , L2)
	7.9 mA (for $U_N$ , L3)
Rated insulation voltage	300 V (acc. to EN 50178)

### Input data

Input voltage	400 V AC $\pm 10$ % (phase conductor/phase conductor)
Voltage LED	$\geq 100$ V AC
Current required per light indicator	5.3 mA (for $U_N$ , L1)
	5.3 mA (for $U_N$ , L2)
	7.9 mA (for $U_N$ , L3)
Indication elements	Glow lamp (green cover)

### Output data

#### Switching

Contact switching type	Single contact, 1 changeover contact
Contact material	AgSnO
Maximum switching voltage	250 V AC/DC
Limiting continuous current	6 A
Interrupting rating (ohmic load) max.	144 W (at 24 V DC)
	1500 VA (for 250 V AC)
Output fuse	6.3 A (fast-blow)

### Connection data

Connection method	Screw connection
Stripping length	8 mm
Screw thread	M3
Conductor cross-section rigid	0.2 mm <sup>2</sup> ... 4 mm <sup>2</sup>
Conductor cross-section flexible	0.2 mm <sup>2</sup> ... 4 mm <sup>2</sup>
Conductor cross-section AWG	24 ... 12

# IEG 45-3LA/400/21 - Monitoring block



2963268

<https://www.phoenixcontact.com/us/products/2963268>

## Signaling

Status display	Glow lamp (green cover)
----------------	-------------------------

## Dimensions

Width	45 mm
Height	79 mm
Depth	74 mm

## Environmental and real-life conditions

### Ambient conditions

Ambient temperature (operation)	-20 °C ... 40 °C
Ambient temperature (storage/transport)	-20 °C ... 60 °C

## Approvals

### CE

Certificate	CE-compliant
-------------	--------------

## EMC data

Electromagnetic compatibility	Conformance with EMC directive
Low Voltage Directive	Conformance with Low Voltage Directive
Noise immunity	EN 61000-6-2

### Noise emission

Standards/regulations	EN 61000-6-4
-----------------------	--------------

## Mounting

Mounting type	DIN rail mounting
Assembly note	in rows with zero spacing
Mounting position	any

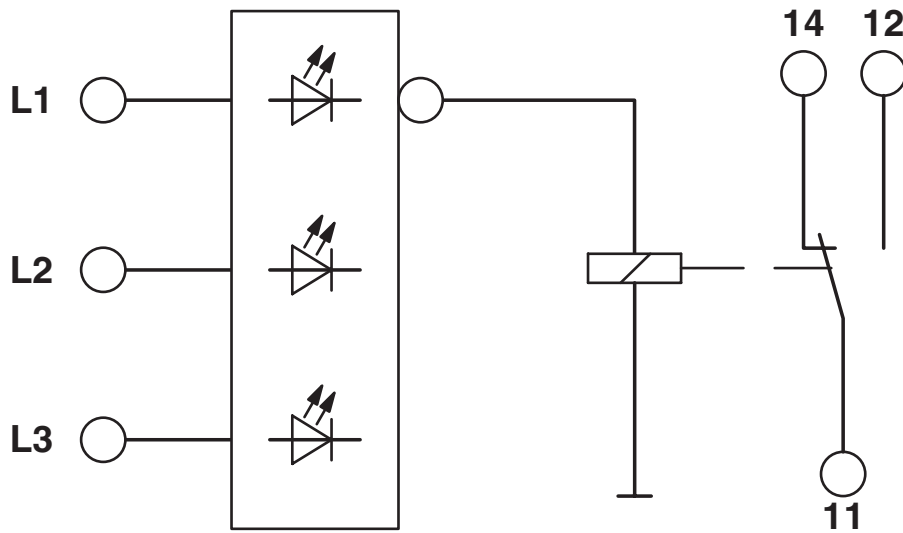
# IEG 45-3LA/400/21 - Monitoring block

2963268

<https://www.phoenixcontact.com/us/products/2963268>

## Drawings

Circuit diagram



## Environmental product compliance

### China RoHS

Environment friendly use period (EFUP)	EFUP-50
	An article-related China RoHS declaration table can be found in the download area for the respective article under "Manufacturer declaration". For all articles with EFUP-E, no China RoHS declaration table issued and required.

### EU REACH SVHC

REACH candidate substance (CAS No.)	No substance above 0.1 wt%
-------------------------------------	----------------------------

Phoenix Contact 2026 © - all rights reserved  
<https://www.phoenixcontact.com>

Phoenix Contact USA  
586 Fulling Mill Road  
Middletown, PA 17057, United States  
(+717) 944-1300  
[info@phoenixcon.com](mailto:info@phoenixcon.com)