

UM 45-16RM/MR-G24/1/PLC - Active module



2962913

<https://www.phoenixcontact.com/us/products/2962913>

Please be informed that the data shown in this PDF document is generated from our online catalog. Please find the complete data in the user documentation. Our general terms of use for downloads are valid.



VARIOFACE COMPACT LINE, output module with 16 miniature relays, 1 N/O contact each, plugged, for 24 V DC (incl. relay)

Your advantages

- Low depth of just 45 mm
- Universal applications from 1 mA to 3 A continuous current thanks to 2-layer double contact with hard gold plating
- Freewheeling and polarity protection diode for each signal path
- Plug-in miniature relays each with an N/O contact

Commercial data

Item number	2962913
Packing unit	1 pc
Note	Made to order (non-returnable)
Sales key	C421
Product key	DK21B1
GTIN	4017918087517
Weight per piece (including packing)	255.7 g
Weight per piece (excluding packing)	224.28 g
Customs tariff number	85364190
Country of origin	DE

UM 45-16RM/MR-G24/1/PLC - Active module



2962913

<https://www.phoenixcontact.com/us/products/2962913>

Technical data

Product properties

Product type	Interface module
No. of channels	16
	32
Operating mode	100% operating factor
Mechanical service life	2x 10 ⁷ cycles
Compatible components	Miniature relay, REL-MR-G 24/1
With components	yes

Insulation characteristics

Overvoltage category	III
Pollution degree	2

Electrical properties

Rated insulation voltage	260 V AC
Rated surge voltage	4 kV (Basic insulation)

Supported controller: SIEMENS S7-400

Suitable I/O card	6ES7422-1BL00-0AA0
	6ES7422-7BL00-0AB0

Supported controller: ALLEN-BRADLEY ControlLogix

Suitable I/O card	1756-OB32
-------------------	-----------

Supported controller: ALLEN-BRADLEY PLC 5

Suitable I/O card	1771 OBN
-------------------	----------

Supported controller: HONEYWELL Experion PKS C200

Suitable I/O card	TC-ODD 321
-------------------	------------

Supported controller: MITSUBISHI MELSEC L

Suitable I/O card	LY41PT1P
	LY42PT1P

Supported controller: MITSUBISHI MELSEC Q

Suitable I/O card	QY81P
	QY82P

Supported controller: SCHNEIDER ELECTRIC Modicon TSX QUANTUM

Suitable I/O card	DDO 353
-------------------	---------

Supported controller: SIEMENS S7-300 / ET 200 M

Suitable I/O card	6ES7322-1BL00-0AA0
-------------------	--------------------

Supported controller: GE-FANUC RX3i

Suitable I/O card	IC694MDL754
-------------------	-------------

UM 45-16RM/MR-G24/1/PLC - Active module



2962913

<https://www.phoenixcontact.com/us/products/2962913>

Input data

Nominal input voltage U_N	24 V DC
Input voltage range in reference to U_N	0.8 ... 1.1
Input voltage range	19.2 V DC ... 26.4 V DC
Typical input current at U_N	6.5 mA
Typical response time	5 ms
Typical release time	15 ms
Protective circuit	Freewheeling diode; Freewheeling diode Reverse polarity protection; Polarity protection diode
Operating voltage display	Green LED
Status display/channel	Yellow LED

Output data

Compatible components	Miniature relay, REL-MR-G 24/1
-----------------------	--------------------------------

Switching

Contact switching type	1 N/O contact
Type of switch contact	Double contact
Contact material	AgNi, 5 μ m hard gold-plated
Maximum switching voltage	250 V AC 125 V DC
Minimum switching voltage	5 V
Limiting continuous current	3 A
Maximum inrush current	5 A
Min. switching current	1 mA
Interrupting rating (ohmic load) max.	72 W (24 V DC) 60 W (48 V DC) 50 W (60 V DC) 50 W (110 V DC) 750 VA (250 V AC)

Connection data

Controller level

Connection method	IDC/FLK pin strip
Number of connections	1
Number of positions	50
Pitch	2.54 mm

Field level

Connection method	Screw connection
Stripping length	8 mm
Screw thread	M3
Number of connections	36
Number of positions	3

UM 45-16RM/MR-G24/1/PLC - Active module



2962913

<https://www.phoenixcontact.com/us/products/2962913>

Conductor cross-section rigid	0.14 mm ² ... 1.5 mm ²
Conductor cross-section flexible	0.14 mm ² ... 1.5 mm ²
Conductor cross-section AWG	26 ... 14

Supply

Connection method	Screw connection
Stripping length	6 mm
Screw thread	M3
Number of connections	2
Number of positions	2
Conductor cross-section rigid	0.14 mm ² ... 1.5 mm ²
Conductor cross-section flexible	0.14 mm ² ... 1.5 mm ²
Conductor cross-section AWG	26 ... 16

Connection for basic module

Connection method	IDC/FLK pin strip
Number of connections	1
Number of positions	20
Pitch	2.54 mm

Signaling

Status display present	yes
------------------------	-----

Dimensions

Width	214 mm
Height	45 mm
Depth	50.5 mm

Material specifications

Color	green (RAL 6021)
-------	------------------

Environmental and real-life conditions

Ambient conditions

Degree of protection	IP00
Ambient temperature (operation)	-20 °C ... 50 °C
Ambient temperature (storage/transport)	-20 °C ... 70 °C

Standards and regulations

Standards/regulations	DIN EN 50178
	IEC 60664

Mounting

Mounting type	DIN rail mounting
Assembly note	in rows with zero spacing
Mounting position	any

UM 45-16RM/MR-G24/1/PLC - Active module



2962913

<https://www.phoenixcontact.com/us/products/2962913>

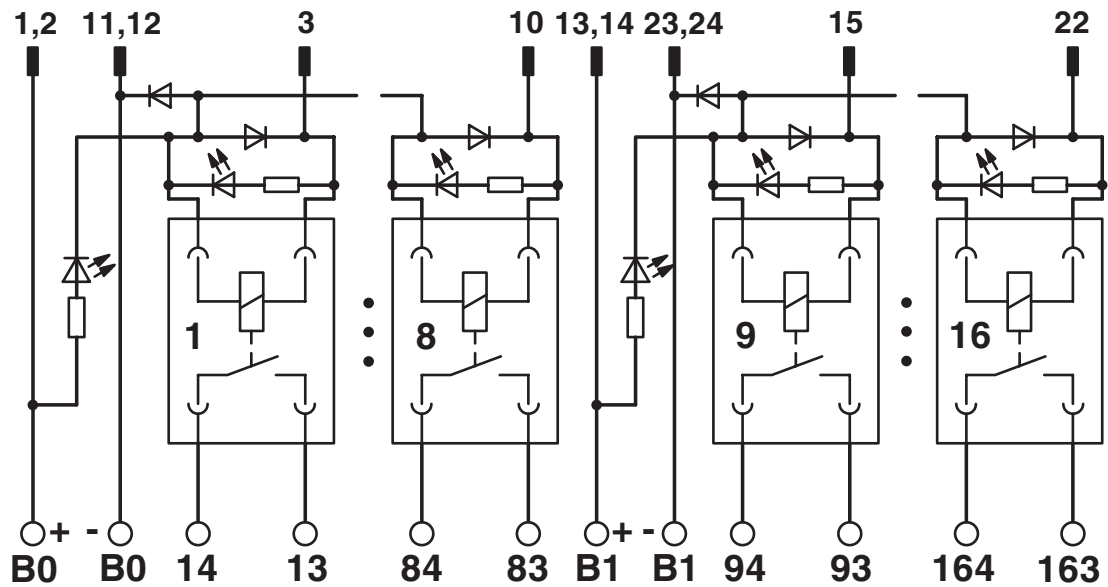
Notes

Notes on operation

For proper use, the specifications of the installation directive (see Downloads) must be observed. For applications or use with third-party products, the specifications, and the safety and warning instructions of the respective third-party manufacturer must also be met.

Drawings

Circuit diagram



UM 45-16RM/MR-G24/1/PLC - Active module



2962913

<https://www.phoenixcontact.com/us/products/2962913>

Classifications

UNSPSC

UNSPSC 21.0	39121400
-------------	----------

2962913

<https://www.phoenixcontact.com/us/products/2962913>

Environmental product compliance

EU RoHS

Fulfills EU RoHS substance requirements	Yes
Exemption	6(c), 7(a), 7(c)-I

China RoHS

Environment friendly use period (EFUP)	EFUP-50
	An article-related China RoHS declaration table can be found in the download area for the respective article under "Manufacturer declaration". For all articles with EFUP-E, no China RoHS declaration table issued and required.

EU REACH SVHC

REACH candidate substance (CAS No.)	Hexahydromethylphthalic anhydride(CAS: n/a)
	Lead(CAS: 7439-92-1)

Phoenix Contact 2026 © - all rights reserved

<https://www.phoenixcontact.com>

Phoenix Contact USA
586 Fulling Mill Road
Middletown, PA 17057, United States
(+717) 944-1300
info@phoenixcon.com