

# UM-16 RELS/KSR-G24/21/MT/PLC - Active module



2962382

<https://www.phoenixcontact.com/us/products/2962382>

Please be informed that the data shown in this PDF document is generated from our online catalog. Please find the complete data in the user documentation. Our general terms of use for downloads are valid.



VARIOFACE output module, with plug-in bases for 16 miniature relays, 1 changeover contact each, for 24 V DC, with knife-disconnect terminal blocks in the output (without relays)

## Your advantages

- Supply voltage indicator (LED)
- Polarity protection diode
- LED status indicator and freewheeling diode per signal path
- Plug-in miniature relays

## Commercial data

Item number	2962382
Packing unit	1 pc
Minimum order quantity	1 pc
Note	Made to order (non-returnable)
Sales key	C421
Product key	DK2191
GTIN	4017918087159
Weight per piece (including packing)	717 g
Weight per piece (excluding packing)	717 g
Customs tariff number	85364190
Country of origin	DE

## Technical data

### Product properties

Product type	Interface module
No. of channels	16
	32
Operating mode	100% operating factor
Mechanical service life	3x 10 <sup>7</sup> cycles
Compatible components	Miniature relay, REL-MR- 24DC/21HC
With components	no

### Insulation characteristics

Overvoltage category	III
Pollution degree	2

### Electrical properties

Rated insulation voltage	260 V AC
Rated surge voltage	4 kV (Basic insulation between output contact current paths)
	6 kV (Safe isolation and reinforced insulation between input circuit and output contact paths)

#### Supported controller: SIEMENS S7-1500

Suitable I/O card	6ES7522-1BL00-0AB0
	6ES7522-1BL01-0AB0

#### Supported controller: SIEMENS S7-400

Suitable I/O card	6ES7422-1BL00-0AA0
	6ES7422-7BL00-0AB0

#### Supported controller: ALLEN-BRADLEY PLC 5

Suitable I/O card	1771 OBN
-------------------	----------

#### Supported controller: HONEYWELL Experion PKS C200

Suitable I/O card	TC-ODD 321
-------------------	------------

#### Supported controller: MITSUBISHI MELSEC L

Suitable I/O card	LY41PT1P
	LY42PT1P

#### Supported controller: MITSUBISHI MELSEC Q

Suitable I/O card	QY81P
	QY82P

#### Supported controller: SCHNEIDER ELECTRIC Modicon TSX QUANTUM

Suitable I/O card	DDO 353
-------------------	---------

#### Supported controller: SIEMENS S7-300 / ET 200 M

Suitable I/O card	6ES7322-1BL00-0AA0
-------------------	--------------------

# UM-16 RELS/KSR-G24/21/MT/PLC - Active module



2962382

<https://www.phoenixcontact.com/us/products/2962382>

Supported controller: GE-FANUC RX3i

Suitable I/O card	IC694MDL754
-------------------	-------------

## Input data

Nominal input voltage $U_N$	24 V DC
Protective circuit	Freewheeling diode; Freewheeling diode
Operating voltage display	Green LED
Status display/channel	Yellow LED

## Output data

Compatible components	Miniature relay, REL-MR- 24DC/21HC
-----------------------	------------------------------------

## Switching

Note	The interrupting ratings apply when using the REL-MR-24DC/21HC relay (2961312)
Contact switching type	1 changeover contact
Maximum switching voltage	250 V AC/DC
Limiting continuous current	5 A
Min. switching current	10 mA
Interrupting rating (ohmic load) max.	120 W (24 V DC, $\tau = 0$ ms) 58 W (48 V DC, $\tau = 0$ ms) 48 W (60 V, $\tau = 0$ ms) 50 W (110 V DC, $\tau = 0$ ms) 80 W (220 V DC, $\tau = 0$ ms) 1250 VA (250 V AC, $\tau = 0$ ms)

## Connection data

### Controller level

Connection method	IDC/FLK pin strip
Number of connections	1
Number of positions	50
Pitch	2.54 mm

### Field level

Connection method	Screw connection with disconnect knife
Stripping length	8 mm
Screw thread	M3
Number of connections	48
Conductor cross-section rigid	0.2 mm <sup>2</sup> ... 4 mm <sup>2</sup>
Conductor cross-section flexible	0.2 mm <sup>2</sup> ... 2.5 mm <sup>2</sup>
Conductor cross-section AWG	24 ... 12

### Supply

Connection method	Screw connection with disconnect knife
Stripping length	8 mm

# UM-16 RELS/KSR-G24/21/MT/PLC - Active module



2962382

<https://www.phoenixcontact.com/us/products/2962382>

Screw thread	M3
Number of connections	4
Conductor cross-section rigid	0.2 mm <sup>2</sup> ... 4 mm <sup>2</sup>
Conductor cross-section flexible	0.2 mm <sup>2</sup> ... 2.5 mm <sup>2</sup>
Conductor cross-section AWG	24 ... 12

## Connection for extension module

Connection method	IDC/FLK pin strip
Number of connections	1
Number of positions	20
Pitch	2.54 mm

## Signaling

Status display present	yes
------------------------	-----

## Dimensions

Width	267 mm
Height	112 mm
Depth	52 mm

## Material specifications

Color	green (RAL 6021)
-------	------------------

## Environmental and real-life conditions

### Ambient conditions

Degree of protection	IP00
Ambient temperature (operation)	-20 °C ... 50 °C
Ambient temperature (storage/transport)	-20 °C ... 70 °C

## Standards and regulations

Standards/regulations	DIN EN 50178
	IEC 60664

## Mounting

Mounting type	DIN rail mounting
Assembly note	in rows with zero spacing
Mounting position	any

## Notes

Notes on operation	For proper use, the specifications of the installation directive (see Downloads) must be observed. For applications or use with third-party products, the specifications, and the safety and warning instructions of the respective third-party manufacturer must also be met.
--------------------	--

### Utilization restriction

EMC note	EMC: class A product, see manufacturer's declaration in the
----------	---

# UM-16 RELS/KSR-G24/21/MT/PLC - Active module



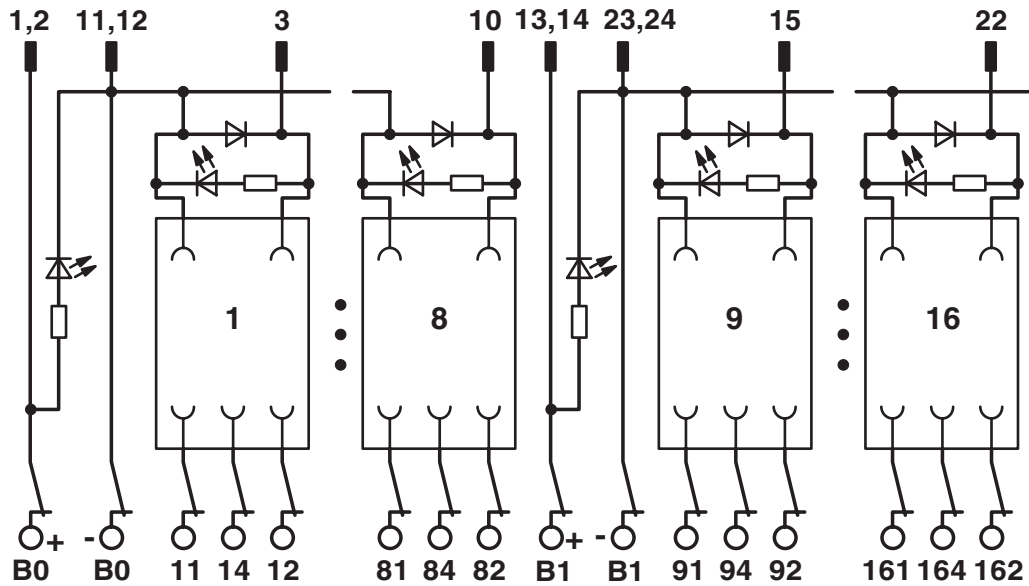
2962382

<https://www.phoenixcontact.com/us/products/2962382>

download area

Drawings

Circuit diagram



# UM-16 RELS/KSR-G24/21/MT/PLC - Active module



2962382

<https://www.phoenixcontact.com/us/products/2962382>

## Classifications

### UNSPSC

UNSPSC 21.0	39121400
-------------	----------

2962382

<https://www.phoenixcontact.com/us/products/2962382>

### Environmental product compliance

#### EU RoHS

Fulfills EU RoHS substance requirements	Yes
Exemption	6(c), 7(a)

#### China RoHS

Environment friendly use period (EFUP)	EFUP-50
	An article-related China RoHS declaration table can be found in the download area for the respective article under "Manufacturer declaration". For all articles with EFUP-E, no China RoHS declaration table issued and required.

#### EU REACH SVHC

REACH candidate substance (CAS No.)	Hexahydromethylphthalic anhydride(CAS: n/a)
	Lead(CAS: 7439-92-1)

Phoenix Contact 2026 © - all rights reserved  
<https://www.phoenixcontact.com>

Phoenix Contact USA  
 586 Fulling Mill Road  
 Middletown, PA 17057, United States  
 (+717) 944-1300  
[info@phoenixcon.com](mailto:info@phoenixcon.com)