

UM-16 RELS/KSR-G24/1/NPE/E/PLC - Active module

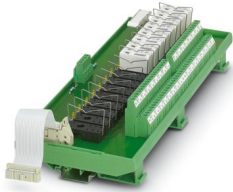


2962036

<https://www.phoenixcontact.com/us/products/2962036>

Please be informed that the data shown in this PDF document is generated from our online catalog. Please find the complete data in the user documentation. Our general terms of use for downloads are valid.

VARIOFACE output extension module, with plug-in bases for 16 miniature relays, 1 changeover contact each, for 24 V DC (without relays), with additional N and PE connection terminal blocks



Commercial data

Item number	2962036
Packing unit	1 pc
Note	Made to order (non-returnable)
Sales key	NULL
Product key	DK2191
GTIN	4017918087098
Weight per piece (including packing)	656 g
Weight per piece (excluding packing)	542.23 g
Customs tariff number	85364190
Country of origin	DE

Technical data

Product properties

Product type	Interface module
No. of channels	16
Compatible components	Miniature relay, REL-MR- 24DC/21HC
With components	no

Insulation characteristics

Overvoltage category	III
Pollution degree	2

Electrical properties

Supported controller: ALLEN-BRADLEY ControlLogix

Suitable I/O card	1756-OB32
-------------------	-----------

Supported controller: ALLEN-BRADLEY PLC 5

Suitable I/O card	1771 OBN
-------------------	----------

Supported controller: GE-FANUC RX3i

Suitable I/O card	IC694MDL754
-------------------	-------------

Supported controller: HONEYWELL Experion PKS C200

Suitable I/O card	TC-ODD 321
-------------------	------------

Input data

Nominal input voltage U_N	24 V DC (Related to the assembly)
Protective circuit	Freewheeling diode; Freewheeling diode
Operating voltage display	Green LED
Status display/channel	Yellow LED

Output data

Compatible components	Miniature relay, REL-MR- 24DC/21HC
-----------------------	------------------------------------

Switching

Contact switching type	1 N/O contact
Maximum switching voltage	250 V AC/DC
Limiting continuous current	4 A
Maximum total current (N)	14 A

Connection data

Controller level

Connection method	IDC/FLK pin strip
Number of connections	1
Number of positions	20

UM-16 RELS/KSR-G24/1/NPE/E/PLC - Active module



2962036

<https://www.phoenixcontact.com/us/products/2962036>

Pitch	2.54 mm
-------	---------

Field level

Connection method	Screw connection
Stripping length	8 mm
Screw thread	M3
Number of connections	72
Number of positions	6
Conductor cross-section rigid	0.2 mm ² ... 4 mm ²
Conductor cross-section flexible	0.2 mm ² ... 2.5 mm ²
Conductor cross-section AWG	24 ... 12

Signaling

Status display present	yes
------------------------	-----

Dimensions

Width	267 mm
Height	111.5 mm
Depth	59 mm

Material specifications

Color	green (RAL 6021)
Housing insulation material	PVC, side panel PA non-reinforced,

Environmental and real-life conditions

Ambient conditions

Ambient temperature (operation)	-20 °C ... 50 °C
Ambient temperature (storage/transport)	-20 °C ... 70 °C

Standards and regulations

Standards/regulations	IEC 60664
	DIN EN 50178

Mounting

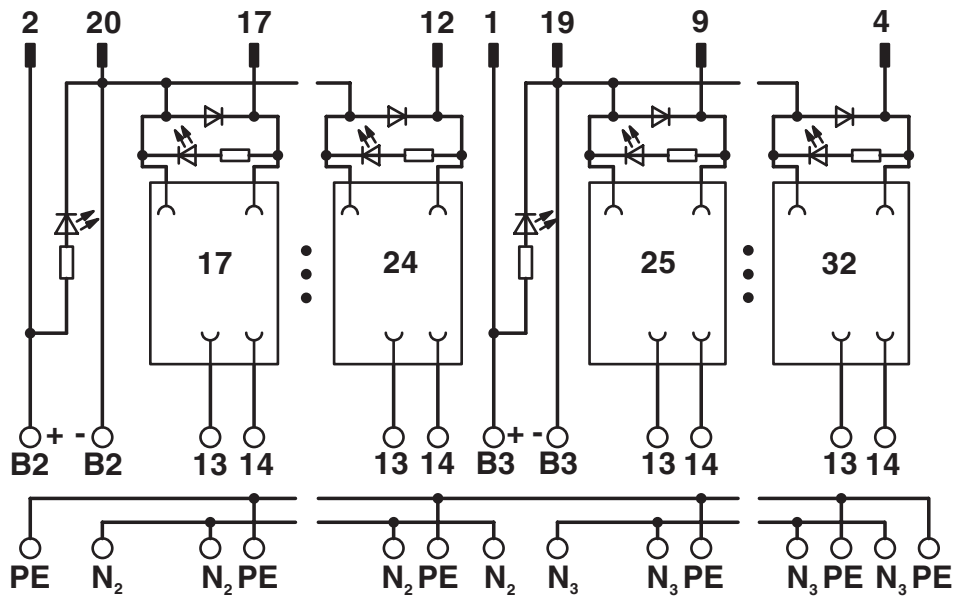
Assembly note	in rows with zero spacing
Mounting position	any

Notes

Notes on operation	For proper use, the specifications of the installation directive (see Downloads) must be observed. For applications or use with third-party products, the specifications, and the safety and warning instructions of the respective third-party manufacturer must also be met.
--------------------	--

Drawings

Circuit diagram



UM-16 RELS/KSR-G24/1/NPE/E/PLC - Active module



2962036

<https://www.phoenixcontact.com/us/products/2962036>

Environmental product compliance

EU REACH SVHC

REACH candidate substance (CAS No.)	
-------------------------------------	--

	No substance above 0.1 wt%
--	----------------------------

Phoenix Contact 2026 © - all rights reserved

<https://www.phoenixcontact.com>

Phoenix Contact USA
586 Fulling Mill Road
Middletown, PA 17057, United States
(+717) 944-1300
info@phoenixcon.com