

PLC-BSP- 24DC/21RW - Relay base

2961396

<https://www.phoenixcontact.com/us/products/2961396>

Please be informed that the data shown in this PDF document is generated from our online catalog. Please find the complete data in the user documentation. Our general terms of use for downloads are valid.



6.2 mm PLC basic terminal block for railway applications with spring-cage connection, without relay or solid-state relay, range from $0.7 \times U_N$ to $1.25 \times U_N$, temperature range from -25°C to $+70^\circ\text{C}$, 1 changeover contact, input voltage 24 V DC

Your advantages

- Vibration and shock resistance in accordance with EN 50155
- Safe isolation between coil and contact side
- Temperature range: -25°C ... $+70^\circ\text{C}$
- Input voltage range of 0.7 to $1.25 \times U_N$

Commercial data

Item number	2961396
Packing unit	1 pc
Note	Made to order (non-returnable)
Sales key	C461
Product key	DK6221
GTIN	4017918936426
Weight per piece (including packing)	26.62 g
Weight per piece (excluding packing)	24.78 g
Customs tariff number	85366990
Country of origin	DE

PLC-BSP- 24DC/21RW - Relay base



2961396

<https://www.phoenixcontact.com/us/products/2961396>

Technical data

Notes

Utilization restriction

EMC note	EMC: class A product, see manufacturer's declaration in the download area
----------	---

Product properties

Product type	Relay socket
Product family	PLC-INTERFACE
Application	Railway applications
Operating mode	100% operating factor
Compatible components	Miniature relay, REL-MR-18DC/21AU, REL-MR-18DC/21

Electrical properties

Protective circuit	Damping diode, polarity protection diode
--------------------	--

Input data

Nominal input voltage U_N	24 V DC
Protective circuit	Freewheeling diode
Nominal input voltage U_N	24 V DC

Relay assembly

Nominal input voltage U_N	24 V DC
Input voltage range in reference to U_N	0.65 ... 1.25
Typical input current at U_N	12 mA
Typical response time	5 ms
Typical release time	8 ms
Operating voltage display	Yellow LED
Protective circuit	Reverse polarity protection; Polarity protection diode Freewheeling diode; Freewheeling diode

Output data

Compatible components	Miniature relay, REL-MR-18DC/21AU, REL-MR-18DC/21
-----------------------	---

Connection data

Input side

Connection method	Spring-cage connection
Stripping length	8 mm
Conductor cross-section rigid	0.14 mm ² ... 2.5 mm ²
Conductor cross-section flexible	0.14 mm ² ... 2.5 mm ²
Conductor cross-section AWG	26 ... 14

Output side

PLC-BSP- 24DC/21RW - Relay base



2961396

<https://www.phoenixcontact.com/us/products/2961396>

Connection method	Spring-cage connection
Stripping length	8 mm
Conductor cross-section rigid	0.14 mm ² ... 2.5 mm ²
Conductor cross-section flexible	0.14 mm ² ... 2.5 mm ²
Conductor cross-section AWG	26 ... 14

Signaling

Status display	LED
----------------	-----

Dimensions

Width	6.2 mm
Height	80 mm
Depth	94 mm

Material specifications

Color	green (RAL 6021)
Flammability rating according to UL 94 (Housing)	V0 (Housing)

Environmental and real-life conditions

Ambient conditions

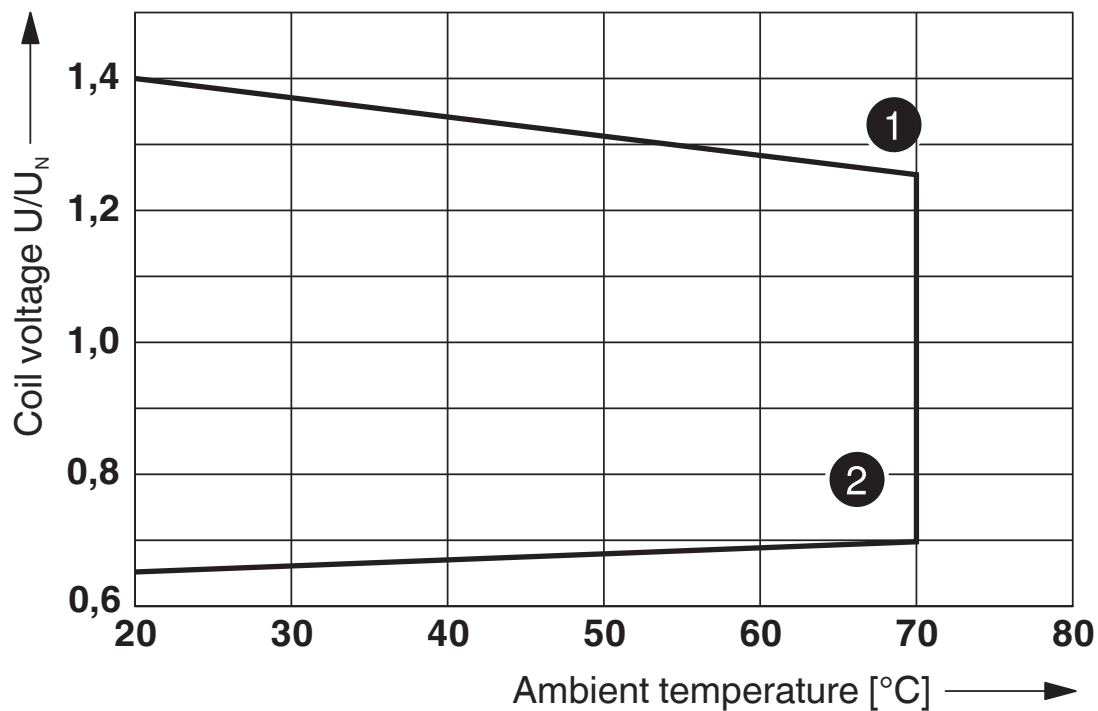
Ambient temperature (operation)	-25 °C ... 70 °C
Ambient temperature (storage/transport)	-40 °C ... 85 °C

Mounting

Mounting type	DIN rail mounting
Assembly note	in rows with zero spacing
Mounting position	any

Drawings

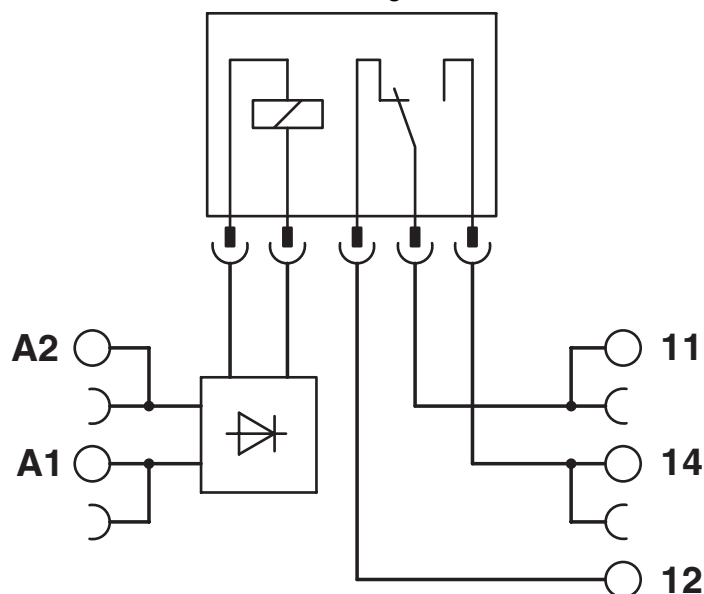
Diagram



- ① Maximum continuous voltage at limiting continuous current = 3 A
- ② Minimum operate voltage
For pre-excitation with U_N and limiting continuous current = 3 A

Operating voltage range

Circuit diagram



PLC-BSP- 24DC/21RW - Relay base



2961396

<https://www.phoenixcontact.com/us/products/2961396>

Environmental product compliance

China RoHS

Environment friendly use period (EFUP)	EFUP-50
	An article-related China RoHS declaration table can be found in the download area for the respective article under "Manufacturer declaration". For all articles with EFUP-E, no China RoHS declaration table issued and required.

EU REACH SVHC

REACH candidate substance (CAS No.)	No substance above 0.1 wt%
-------------------------------------	----------------------------

Phoenix Contact 2026 © - all rights reserved
<https://www.phoenixcontact.com>

Phoenix Contact USA
586 Fulling Mill Road
Middletown, PA 17057, United States
(+717) 944-1300
info@phoenixcon.com