

REL-MR- 12DC/21 - Single relay

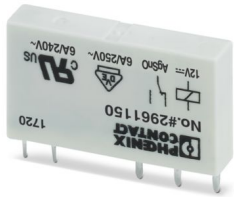


2961150

<https://www.phoenixcontact.com/us/products/2961150>

Please be informed that the data shown in this PDF document is generated from our online catalog. Please find the complete data in the user documentation. Our general terms of use for downloads are valid.

Plug-in miniature power relay, with power contact, 1 changeover contact, input voltage 12 V DC



Your advantages

- Safe isolation between coil and contact side
- High degree of protection up to RT III depending on type (wash-proof)
- Power contacts up to 6 A

Commercial data

| | |
|--------------------------------------|---------------|
| Item number | 2961150 |
| Packing unit | 10 pc |
| Minimum order quantity | 10 pc |
| Sales key | C460 |
| Product key | DK6921 |
| GTIN | 4017918159566 |
| Weight per piece (including packing) | 6.62 g |
| Weight per piece (excluding packing) | 5 g |
| Customs tariff number | 85364900 |
| Country of origin | CZ |

REL-MR- 12DC/21 - Single relay



2961150

<https://www.phoenixcontact.com/us/products/2961150>

Technical data

Product properties

| | |
|-------------------------|--|
| Product type | Single relay |
| Set comprises | 2903371 RIF-0-RPT-12DC/21 2903362 RIF-0-RPT-12DC/ 1 |
| Operating mode | 100% operating factor |
| Mechanical service life | 2x 10 ⁷ cycles |

Insulation characteristics

| | |
|----------------------|-----|
| Overvoltage category | III |
| Pollution degree | 3 |

Data management status

| | |
|------------------------------|------------|
| Date of last data management | 01.04.2026 |
|------------------------------|------------|

Electrical properties

| | |
|---|--|
| Maximum power dissipation for nominal condition | 0.17 W |
| Test voltage (Winding/contact) | 4 kV AC (50 Hz, 1 min., winding/contact) |

Input data

Coil side

| | |
|---|------------------------------------|
| Nominal input voltage U_N | 12 V DC |
| Input voltage range | 7.2 V DC ... 33 V DC |
| Input voltage range in reference to U_N | see diagram |
| Drive and function | monostable |
| Drive (polarity) | non-polarized |
| Typical input current at U_N | 14 mA |
| Typical response time | 5 ms |
| Typical release time | 2.5 ms |
| Coil resistance | 848 Ω \pm 10 % (at 20 °C) |

Output data

Switching

| | |
|-----------------------------|---------------------------------------|
| Contact switching type | 1 changeover contact |
| Type of switch contact | Single contact |
| Contact material | AgSnO |
| Maximum switching voltage | 250 V AC/DC |
| Minimum switching voltage | 5 V (at 100 mA) |
| Limiting continuous current | 6 A |
| Maximum inrush current | 10 A (4 s) |
| Min. switching current | 10 mA (at 12 V) 140 W (at 24 V DC) |

REL-MR- 12DC/21 - Single relay



2961150

<https://www.phoenixcontact.com/us/products/2961150>

| | |
|---------------------------------------|--------------------------------------|
| Interrupting rating (ohmic load) max. | 20 W (at 48 V DC) |
| | 18 W (at 60 V DC) |
| | 23 W (at 110 V DC) |
| | 40 W (at 220 V DC) |
| | 1500 VA (for 250 V AC) |
| Switching capacity | 2 A (at 24 V, DC13) |
| | 0.2 A (at 110 V, DC13) |
| | 0.1 A (at 220 V, DC13) |
| | 3 A (at 24 V, AC15) |
| | 3 A (at 120 V, AC15) |
| Motor load according to UL 508 | 3 A (at 230 V, AC15) |
| | 1/4 HP, 240 - 277 V AC (N/O contact) |
| | 1/6 HP, 240 - 277 V AC (N/C contact) |

Connection data

| | |
|-------------------|--------------------------|
| Connection method | Plug / solder connection |
|-------------------|--------------------------|

Dimensions

Item dimensions

| | |
|--------|-------|
| Width | 5 mm |
| Height | 28 mm |
| Depth | 15 mm |

Material specifications

| | |
|-------|------------------|
| Color | white (RAL 9010) |
|-------|------------------|

Environmental and real-life conditions

Ambient conditions

| | |
|---|------------------|
| Degree of protection | RT III |
| Ambient temperature (operation) | -40 °C ... 85 °C |
| Ambient temperature (storage/transport) | -40 °C ... 85 °C |

Approvals

Corrosive gas test

| | |
|----------------|----------------------------|
| Identification | ISA-S71.04. G3 Harsh Group |
| | EN 60068-2-60 |

Standards and regulations

| | |
|-----------------------|------------|
| Standards/regulations | IEC 60664 |
| | EN 50178 |
| | EN 61810-1 |

Mounting

REL-MR- 12DC/21 - Single relay



2961150

<https://www.phoenixcontact.com/us/products/2961150>

| | |
|-------------------|---------------------------|
| Assembly note | in rows with zero spacing |
| Mounting position | any |

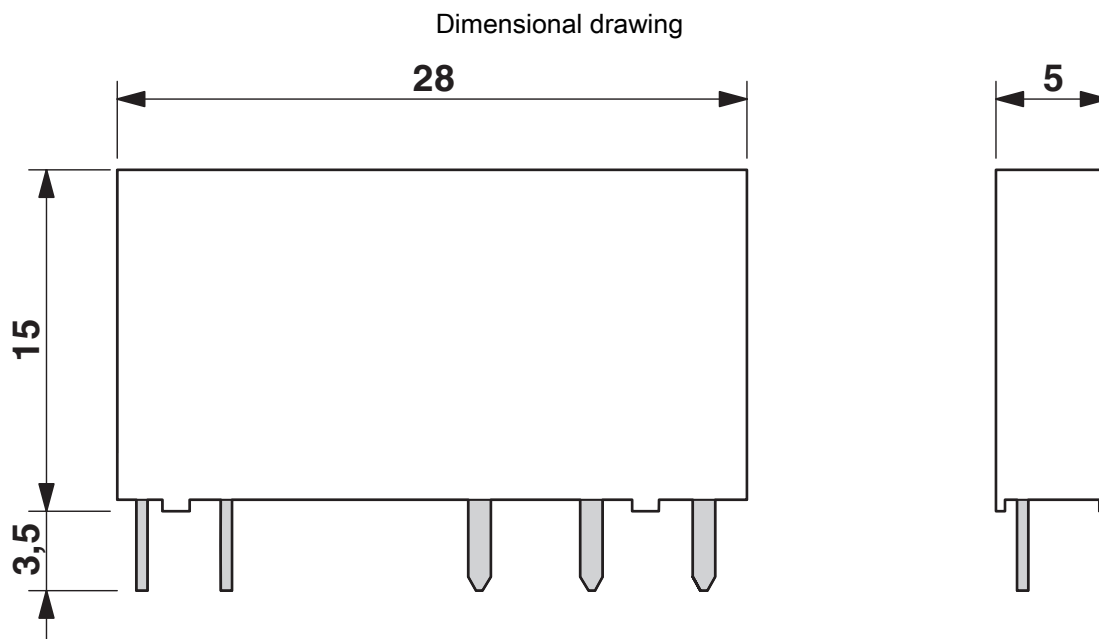
REL-MR- 12DC/21 - Single relay



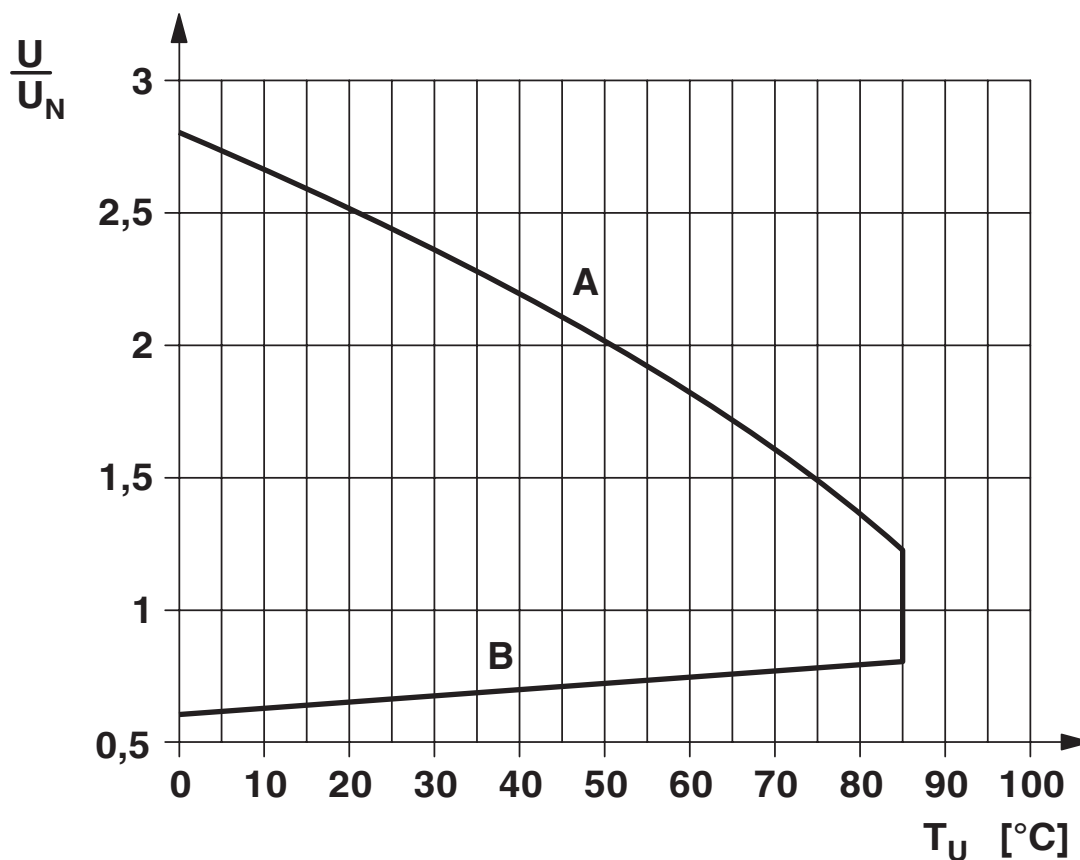
2961150

<https://www.phoenixcontact.com/us/products/2961150>

Drawings



Diagram



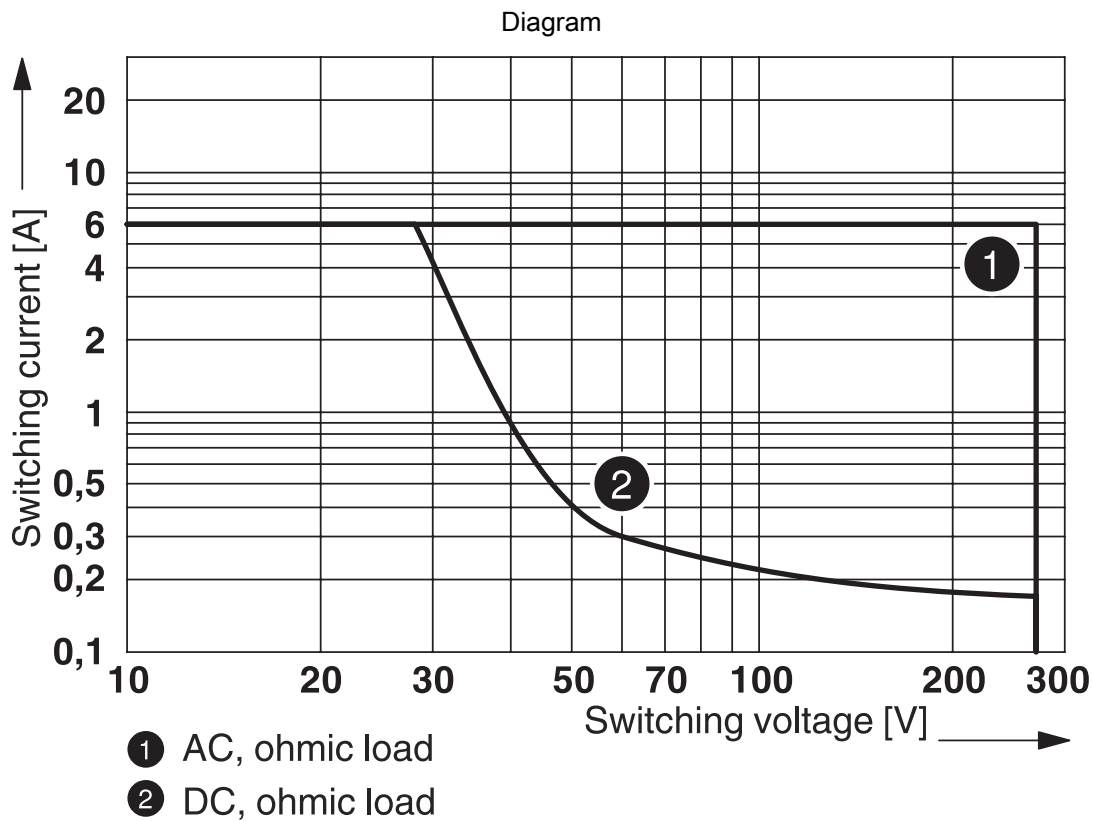
Operating voltage range

REL-MR- 12DC/21 - Single relay



2961150

<https://www.phoenixcontact.com/us/products/2961150>



Interrupting rating

REL-MR- 12DC/21 - Single relay



2961150

<https://www.phoenixcontact.com/us/products/2961150>

Diagram



① 250 V AC, ohmic load

Electrical service life

2961150

<https://www.phoenixcontact.com/us/products/2961150>

Diagram



Permissible humidity for operation and storage.

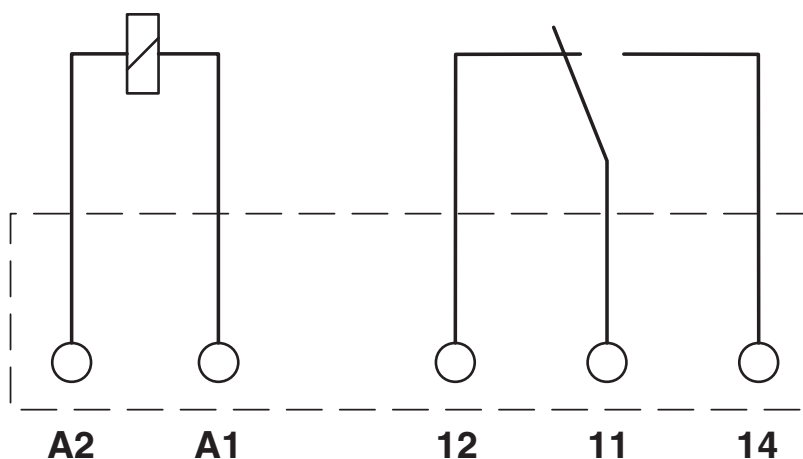
The maximum permissible ambient temperature as specified in the data sheet must be observed.

Area A: Ice buildup at ambient temperatures $\leq 0^{\circ}\text{C}$ must be prevented

Area B: Condensation at ambient temperatures $> 0^{\circ}\text{C}$ must be prevented

On 30 full days that are naturally distributed across an entire year, a humidity level of 95% is permissible at an ambient temperature $\leq 25^{\circ}\text{C}$.

Circuit diagram



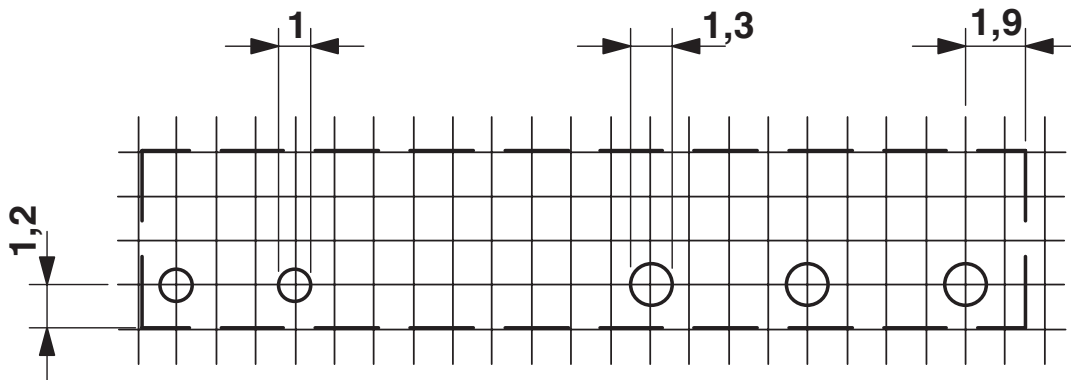
REL-MR- 12DC/21 - Single relay



2961150

<https://www.phoenixcontact.com/us/products/2961150>

Drilling plan/solder pad geometry



a = pitch division 1.25 mm and 1.27 mm

REL-MR- 12DC/21 - Single relay



2961150

<https://www.phoenixcontact.com/us/products/2961150>

Approvals

To download certificates, visit the product detail page: <https://www.phoenixcontact.com/us/products/2961150>



cUL Recognized
Approval ID: FILE E 172140



UL Recognized
Approval ID: FILE E 172140



EAC
Approval ID: RU*C-DE.*08.B.00010



UL Recognized
Approval ID: FILE E 172140



VDE approval of drawings
Approval ID: 40032864



VDE approval of drawings
Approval ID: 40054426



cUL Recognized
Approval ID: FILE E 172140



VDE approval of drawings
Approval ID: 40010212



cUL Recognized
Approval ID: FILE E 172140



UL Recognized
Approval ID: FILE E 172140

REL-MR- 12DC/21 - Single relay



2961150

<https://www.phoenixcontact.com/us/products/2961150>

Classifications

ECLASS

| | |
|-------------|----------|
| ECLASS-13.0 | 27371601 |
| ECLASS-15.0 | 27371601 |

ETIM

| | |
|-----------|----------|
| ETIM 10.0 | EC001437 |
|-----------|----------|

UNSPSC

| | |
|-------------|----------|
| UNSPSC 21.0 | 39122300 |
|-------------|----------|

REL-MR- 12DC/21 - Single relay



2961150

<https://www.phoenixcontact.com/us/products/2961150>

Environmental product compliance

EU RoHS

| | |
|---|--------------------|
| Fulfills EU RoHS substance requirements | Yes, No exemptions |
|---|--------------------|

China RoHS

| | |
|--|--|
| Environment friendly use period (EFUP) | EFUP-E |
| | No hazardous substances above the limits |

EU REACH SVHC

| | |
|-------------------------------------|----------------------------|
| REACH candidate substance (CAS No.) | No substance above 0.1 wt% |
|-------------------------------------|----------------------------|

EF3.1 Climate Change

| | |
|---------|---------------|
| CO2e kg | 0.196 kg CO2e |
|---------|---------------|

Phoenix Contact 2026 © - all rights reserved
<https://www.phoenixcontact.com>

Phoenix Contact USA
586 Fulling Mill Road
Middletown, PA 17057, United States
(+717) 944-1300
info@phoenixcon.com