

# REL-IRG 48 - Single relay

2960274

<https://www.phoenixcontact.com/us/products/2960274>

Please be informed that the data shown in this PDF document is generated from our online catalog. Please find the complete data in the user documentation. Our general terms of use for downloads are valid.

Industrial relay, size 1, contact: 4 changeover contacts, input voltage 48 V DC



The figure shows the version REL-IRG 24

## Commercial data

Item number	2960274
Packing unit	1 pc
Note	Made to order (non-returnable)
Sales key	NULL
Product key	DK6193
GTIN	4017918086688
Weight per piece (including packing)	39.29 g
Weight per piece (excluding packing)	39.2 g
Customs tariff number	85364190
Country of origin	DE

# REL-IRG 48 - Single relay



2960274

<https://www.phoenixcontact.com/us/products/2960274>

## Technical data

### Product properties

Product type	Single relay
Operating mode	100% operating factor
Mechanical service life	approx. $5 \times 10^7$ cycles

### Insulation characteristics

Overvoltage category	II
Pollution degree	2

### Data management status

Date of last data management	01.04.2026
------------------------------	------------

### Electrical properties

Maximum power dissipation for nominal condition	0.91 W
Test voltage (Winding/contact)	2 kV AC (50 Hz, 1 min., winding/contact)
Test voltage (Changeover contact/changeover contact)	2 kV AC (50 Hz, 1 min., changeover contact/changeover contact)

### Input data

#### Coil side

Nominal input voltage $U_N$	48 V DC
Input voltage range	37.4 V DC ... 72 V DC
Input voltage range in reference to $U_N$	see diagram
Typical input current at $U_N$	19 mA
Typical response time	13 ms
Typical release time	8 ms
Coil resistance	$2560 \Omega \pm 15 \%$

### Output data

#### Switching

Contact switching type	4 changeover contacts
Type of switch contact	Single contact
Contact material	AgNi, hard gold-plated
Maximum switching voltage	250 V AC 125 V DC
Minimum switching voltage	1 V
Limiting continuous current	5 A
Maximum inrush current	12 A (15 ms)
Min. switching current	1 mA
Interrupting rating (ohmic load) max.	see diagram 1250 VA (for 250 V AC)

### Environmental and real-life conditions

# REL-IRG 48 - Single relay



2960274

<https://www.phoenixcontact.com/us/products/2960274>

## Ambient conditions

Ambient temperature (operation)	-55 °C ... 70 °C
Ambient temperature (storage/transport)	-55 °C ... 70 °C

## Standards and regulations

Standards/regulations	IEC 60664
	IEC 60664A
	DIN VDE 0110

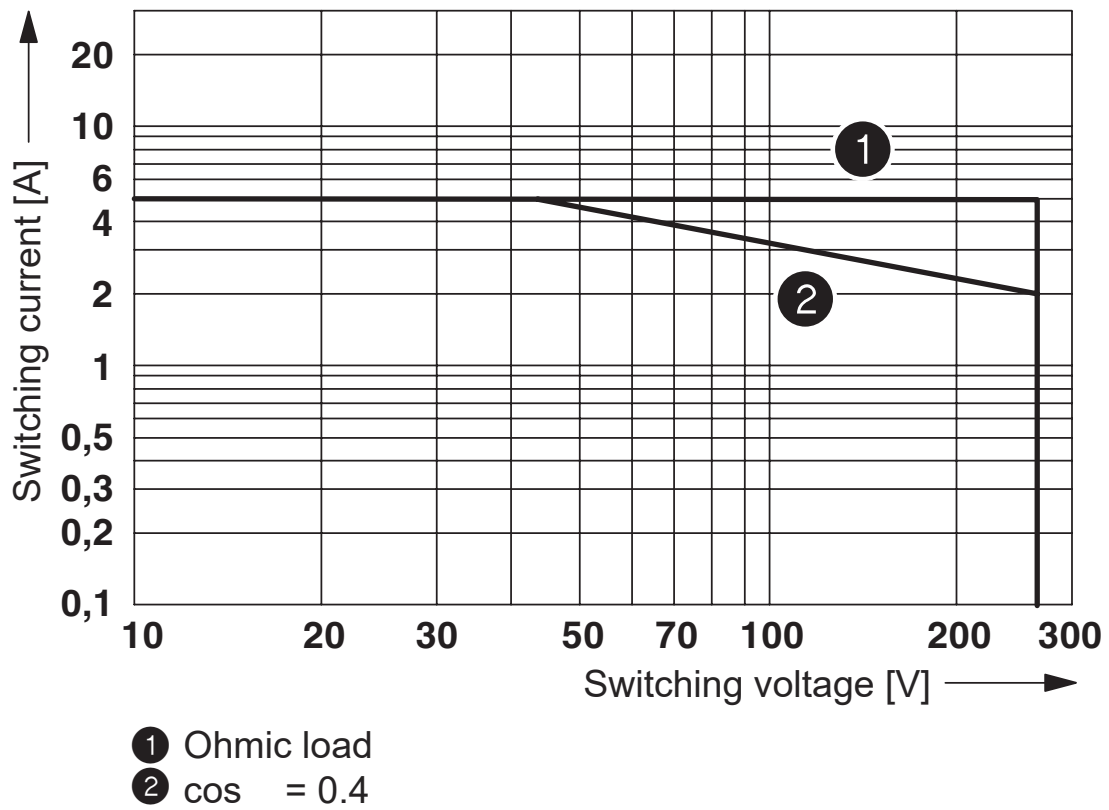
# REL-IRG 48 - Single relay

2960274

<https://www.phoenixcontact.com/us/products/2960274>

## Drawings

Diagram



AC interrupting rating

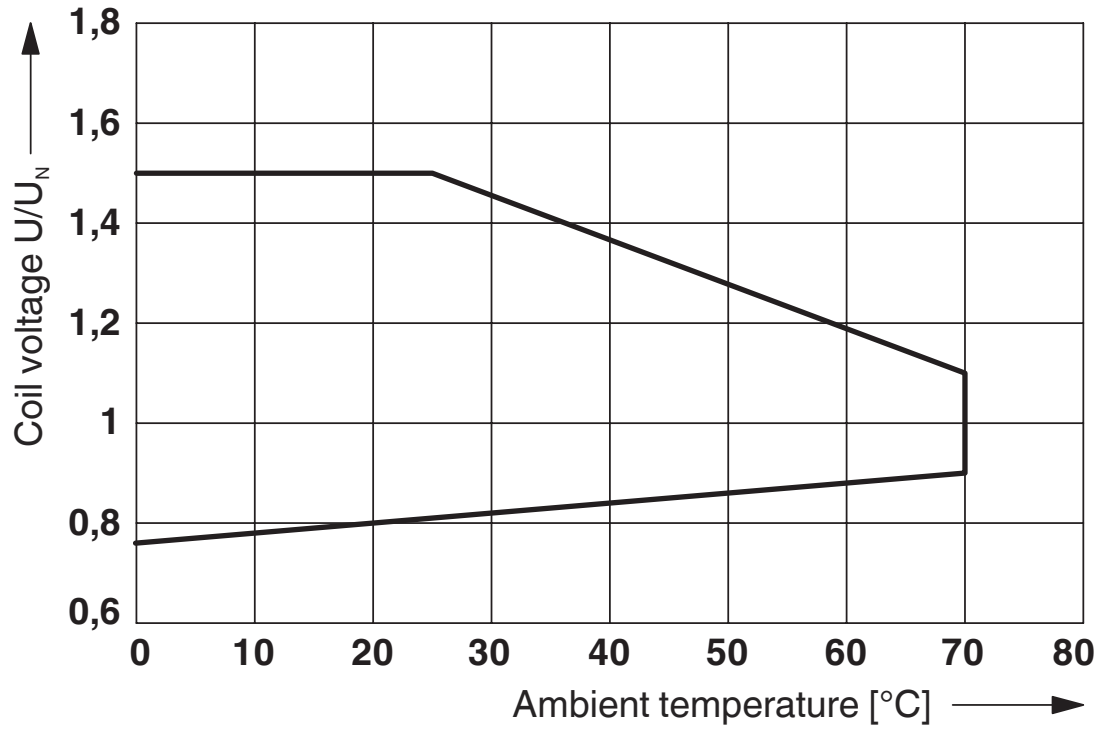
# REL-IRG 48 - Single relay



2960274

<https://www.phoenixcontact.com/us/products/2960274>

Diagram



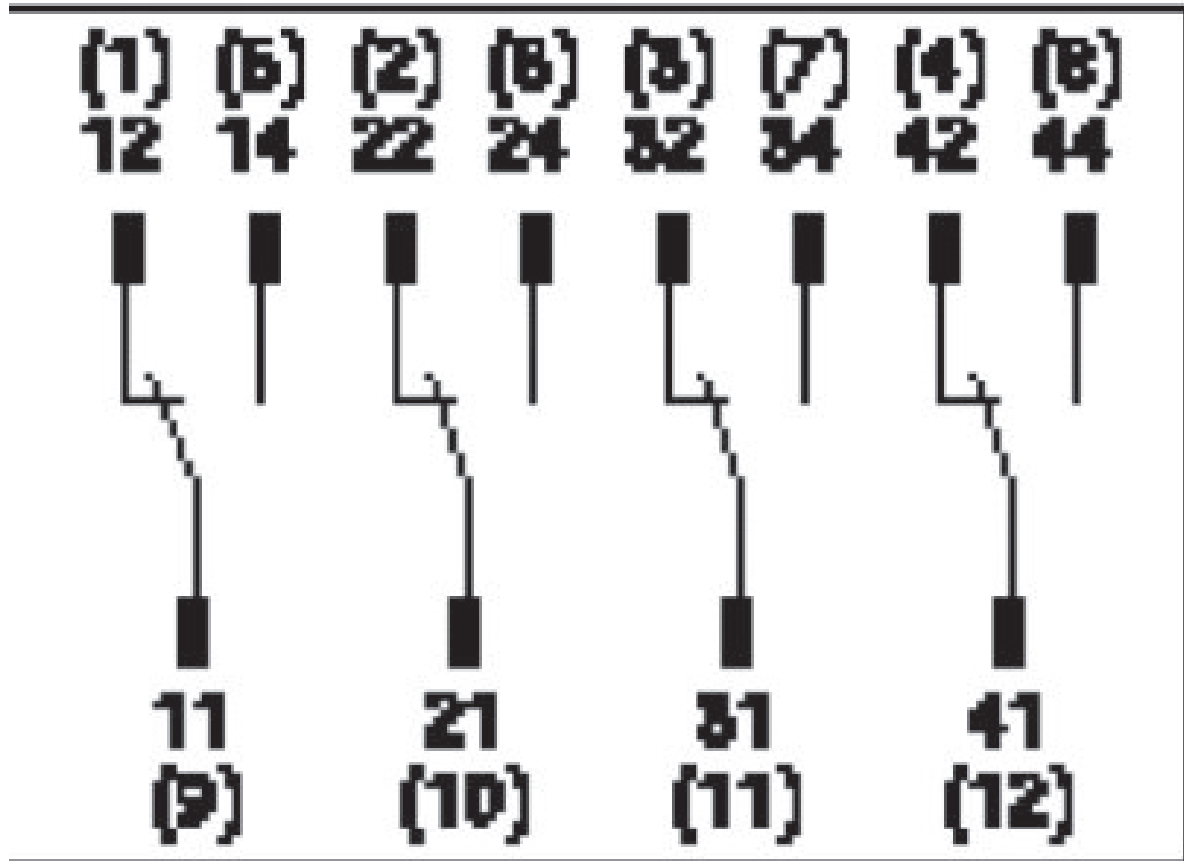
Operating voltage range

# REL-IRG 48 - Single relay

2960274

<https://www.phoenixcontact.com/us/products/2960274>

Circuit diagram



# REL-IRG 48 - Single relay



2960274

<https://www.phoenixcontact.com/us/products/2960274>

## Environmental product compliance

### China RoHS

Environment friendly use period (EFUP)	EFUP-50
	An article-related China RoHS declaration table can be found in the download area for the respective article under "Manufacturer declaration". For all articles with EFUP-E, no China RoHS declaration table issued and required.

### EU REACH SVHC

REACH candidate substance (CAS No.)	No substance above 0.1 wt%
-------------------------------------	----------------------------

Phoenix Contact 2026 © - all rights reserved

<https://www.phoenixcontact.com>

Phoenix Contact USA  
586 Fulling Mill Road  
Middletown, PA 17057, United States  
(+717) 944-1300  
[info@phoenixcon.com](mailto:info@phoenixcon.com)