

REL-IRG 24 - Single relay



2960261

<https://www.phoenixcontact.com/us/products/2960261>

Please be informed that the data shown in this PDF document is generated from our online catalog. Please find the complete data in the user documentation. Our general terms of use for downloads are valid.

Industrial relay, size 1, contact: 4 changeover contacts, input voltage 24 V DC



Commercial data

Item number	2960261
Packing unit	10 pc
Minimum order quantity	1 pc
Note	Made to order (non-returnable)
Sales key	C460
Product key	DK6949
GTIN	4017918086671
Weight per piece (including packing)	39.37 g
Weight per piece (excluding packing)	36.079 g
Customs tariff number	85364190
Country of origin	JP

REL-IRG 24 - Single relay



2960261

<https://www.phoenixcontact.com/us/products/2960261>

Technical data

Product properties

Product type	Single relay
Operating mode	100% operating factor
Mechanical service life	approx. 5×10^7 cycles

Insulation characteristics

Overvoltage category	II
Pollution degree	2

Data management status

Date of last data management	01.04.2026
------------------------------	------------

Electrical properties

Maximum power dissipation for nominal condition	0.91 W
Test voltage (Winding/contact)	2 kV AC (50 Hz, 1 min., winding/contact)
Test voltage (Changeover contact/changeover contact)	2 kV AC (50 Hz, 1 min., changeover contact/changeover contact)

Input data

Coil side

Nominal input voltage U_N	24 V DC
Input voltage range	18.7 V DC ... 36 V DC
Input voltage range in reference to U_N	see diagram
Drive and function	monostable
Drive (polarity)	non-polarized
Typical input current at U_N	38 mA
Typical response time	13 ms
Typical release time	8 ms
Coil resistance	$630 \Omega \pm 15 \%$

Output data

Switching

Contact switching type	4 changeover contacts
Type of switch contact	Single contact
Contact material	AgNi, hard gold-plated
Maximum switching voltage	250 V AC 125 V DC
Minimum switching voltage	1 V
Limiting continuous current	5 A
Maximum inrush current	12 A (15 ms)
Min. switching current	1 mA
Interrupting rating (ohmic load) max.	see diagram

REL-IRG 24 - Single relay



2960261

<https://www.phoenixcontact.com/us/products/2960261>

	1250 VA (for 250 V AC)
--	------------------------

Environmental and real-life conditions

Ambient conditions

Ambient temperature (operation)	-55 °C ... 70 °C
Ambient temperature (storage/transport)	-55 °C ... 70 °C

Standards and regulations

Standards/regulations	IEC 60664
	IEC 60664A
	DIN VDE 0110

REL-IRG 24 - Single relay

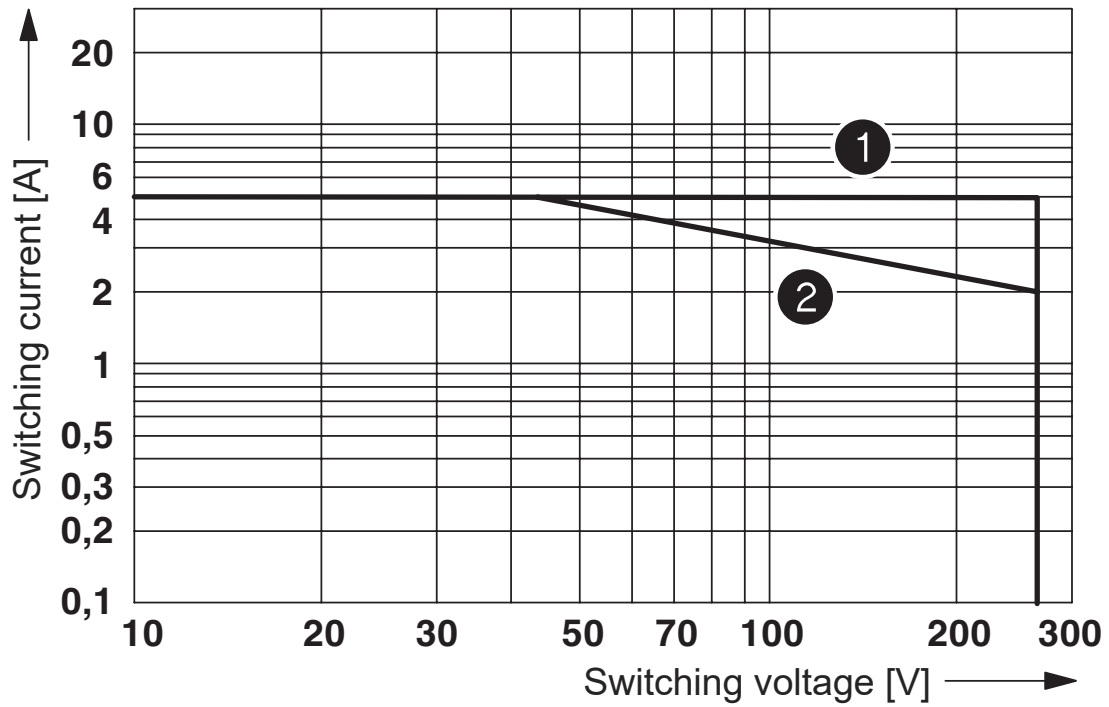


2960261

<https://www.phoenixcontact.com/us/products/2960261>

Drawings

Diagram



- ① Ohmic load
- ② $\cos \phi = 0.4$

AC interrupting rating

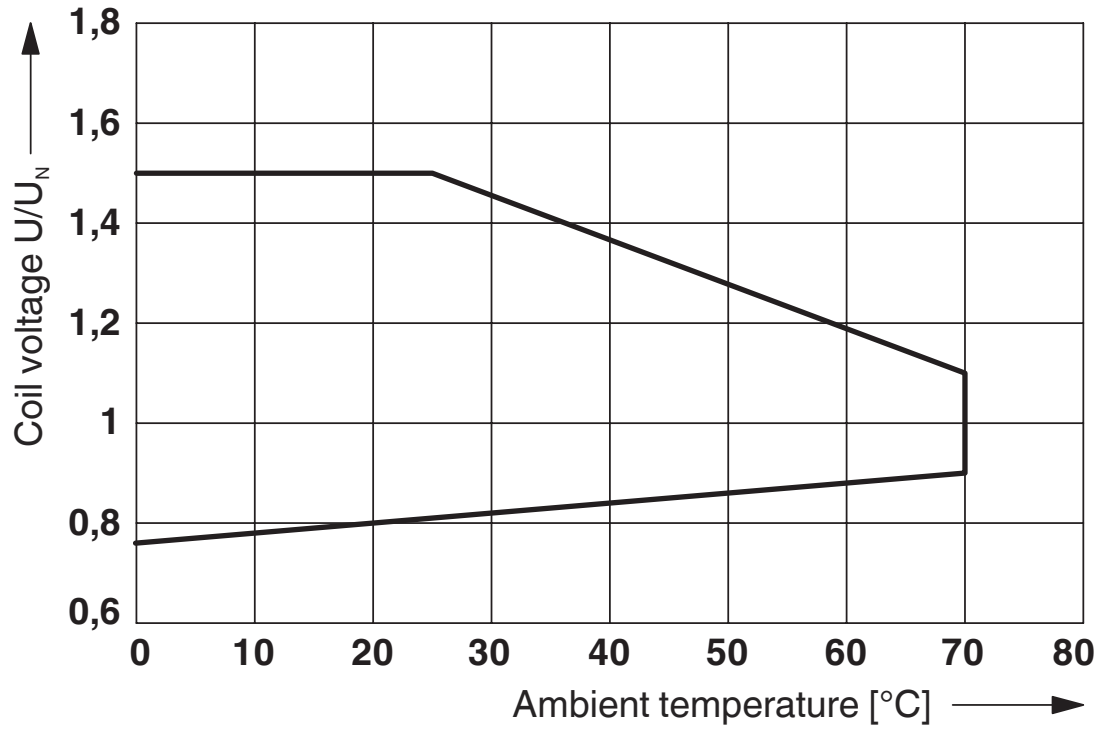
REL-IRG 24 - Single relay



2960261

<https://www.phoenixcontact.com/us/products/2960261>

Diagram



Operating voltage range

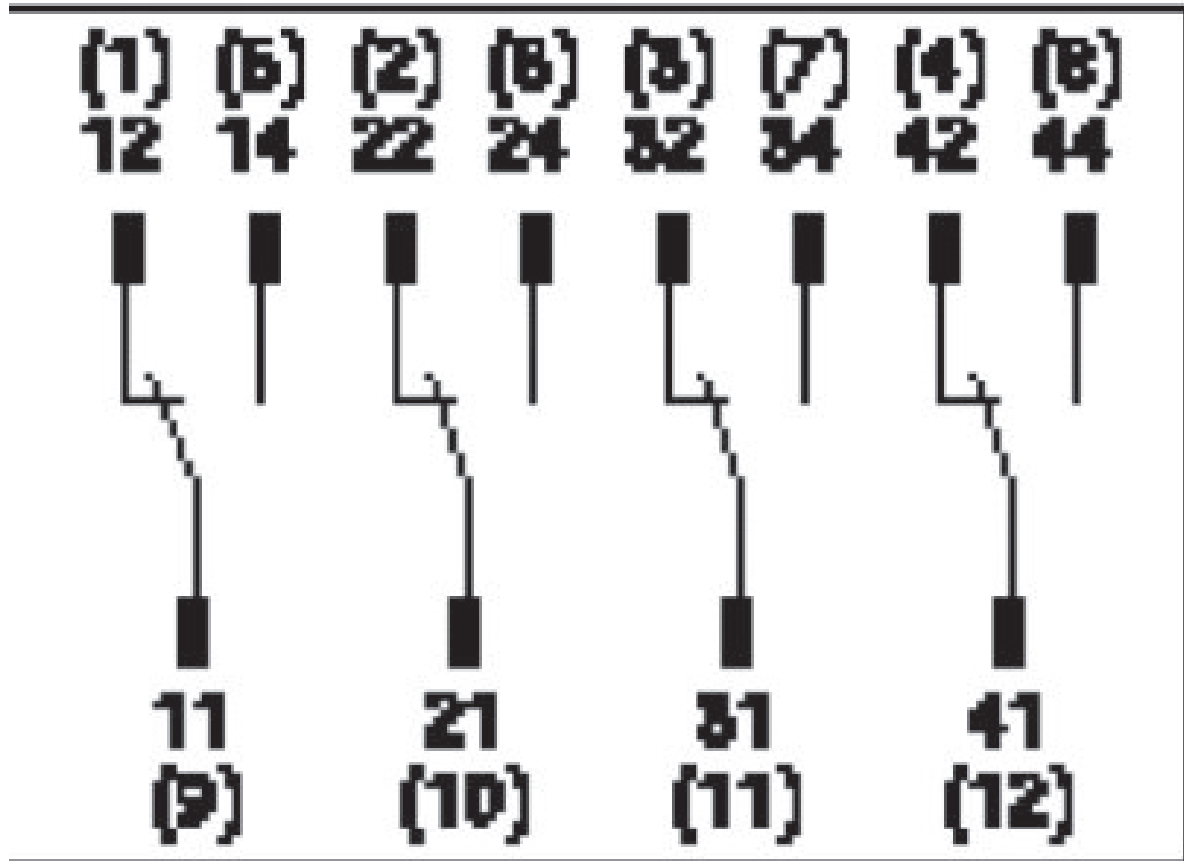
REL-IRG 24 - Single relay



2960261

<https://www.phoenixcontact.com/us/products/2960261>

Circuit diagram



REL-IRG 24 - Single relay



2960261

<https://www.phoenixcontact.com/us/products/2960261>

Classifications

ECLASS

ECLASS-13.0

27371601

ETIM

ETIM 9.0

EC001437

UNSPSC

UNSPSC 21.0

39122300

REL-IRG 24 - Single relay



2960261

<https://www.phoenixcontact.com/us/products/2960261>

Environmental product compliance

EU RoHS

Fulfills EU RoHS substance requirements	Yes, No exemptions
---	--------------------

China RoHS

Environment friendly use period (EFUP)	EFUP-E
	No hazardous substances above the limits

EU REACH SVHC

REACH candidate substance (CAS No.)	No substance above 0.1 wt%
-------------------------------------	----------------------------

Phoenix Contact 2026 © - all rights reserved
<https://www.phoenixcontact.com>

Phoenix Contact USA
586 Fulling Mill Road
Middletown, PA 17057, United States
(+717) 944-1300
info@phoenixcon.com