

UM108-SEFE/R-A60 - Lateral element

2959706

<https://www.phoenixcontact.com/us/products/2959706>

Please be informed that the data shown in this PDF document is generated from our online catalog. Please find the complete data in the user documentation. Our general terms of use for downloads are valid.

Side element, with foot, tall version, right-hand, for 60 mm wide U-shaped cover.



Commercial data

Item number	2959706
Packing unit	10 pc
Minimum order quantity	10 pc
Note	Made to order (non-returnable)
Sales key	AC13
Product key	ACHDBA
GTIN	4017918100988
Weight per piece (including packing)	17.03 g
Weight per piece (excluding packing)	17.1 g
Customs tariff number	39269097
Country of origin	PL

UM108-SEFE/R-A60 - Lateral element



2959706

<https://www.phoenixcontact.com/us/products/2959706>

Technical data

Product properties

Product type	Panel mounting base side part
Housing type	Press-drawn section housings
Housing series	UM
Product family	UM108
Ventilation openings present	no

Material specifications

Color (Side element)	green (RAL 6021)
Material Lateral element	PA
Flammability rating according to UL 94	V0
Surface characteristics	untreated

Environmental and real-life conditions

Ambient conditions

Ambient temperature (operation)	-40 °C ... 105 °C (depending on power dissipation)
---------------------------------	--

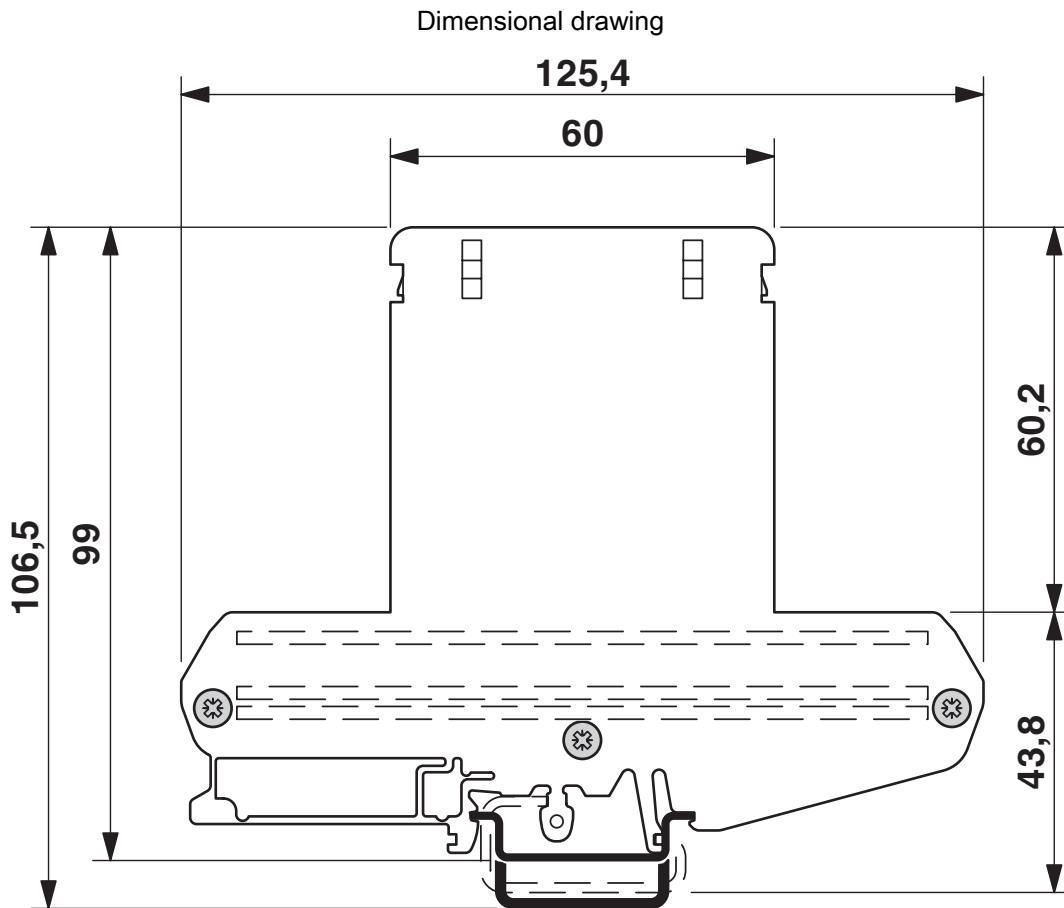
UM108-SEFE/R-A60 - Lateral element



2959706

<https://www.phoenixcontact.com/us/products/2959706>

Drawings



UM108-SEFE/R-A60 - Lateral element



2959706

<https://www.phoenixcontact.com/us/products/2959706>

Approvals

To download certificates, visit the product detail page: <https://www.phoenixcontact.com/us/products/2959706>



UL Recognized

Approval ID: E240868

UM108-SEFE/R-A60 - Lateral element



2959706

<https://www.phoenixcontact.com/us/products/2959706>

Classifications

ECLASS

ECLASS-13.0	27190602
ECLASS-15.0	27190602

ETIM

ETIM 10.0	EC002779
-----------	----------

UNSPSC

UNSPSC 21.0	31261500
-------------	----------

UM108-SEFE/R-A60 - Lateral element



2959706

<https://www.phoenixcontact.com/us/products/2959706>

Environmental product compliance

EU RoHS

Fulfills EU RoHS substance requirements	Yes, No exemptions
---	--------------------

China RoHS

Environment friendly use period (EFUP)	EFUP-E
	No hazardous substances above the limits

EU REACH SVHC

REACH candidate substance (CAS No.)	No substance above 0.1 wt%
-------------------------------------	----------------------------

Phoenix Contact 2026 © - all rights reserved
<https://www.phoenixcontact.com>

Phoenix Contact USA
586 Fulling Mill Road
Middletown, PA 17057, United States
(+717) 944-1300
info@phoenixcon.com