

# UM108-FE - Foot element



2959463

<https://www.phoenixcontact.com/us/products/2959463>

Please be informed that the data shown in this PDF document is generated from our online catalog. Please find the complete data in the user documentation. Our general terms of use for downloads are valid.

Foot element, 107.5 mm wide, for mounting on NS 32 or NS 35/7.5, below profile housing UM 108.



## Your advantages

- Easy installation
- Flexible size and shape
- Inexpensive as a result of reducing the number of separate housing parts

## Commercial data

|                                      |               |
|--------------------------------------|---------------|
| Item number                          | 2959463       |
| Packing unit                         | 10 pc         |
| Minimum order quantity               | 10 pc         |
| Sales key                            | AC13          |
| Product key                          | ACHDBB        |
| GTIN                                 | 4017918086121 |
| Weight per piece (including packing) | 8.15 g        |
| Weight per piece (excluding packing) | 8.08 g        |
| Customs tariff number                | 39269097      |
| Country of origin                    | PL            |

# UM108-FE - Foot element

2959463

<https://www.phoenixcontact.com/us/products/2959463>



## Technical data

### Product properties

|                |                              |
|----------------|------------------------------|
| Product type   | Base latches                 |
| Housing type   | Press-drawn section housings |
| Housing series | UM                           |
| Product family | UM108                        |

### Material specifications

|  |                  |
|--|------------------|
| Color (Housing)                        | green (RAL 6021) |
| Material Housing                       | PA               |
| Flammability rating according to UL 94 | V0               |

# UM108-FE - Foot element

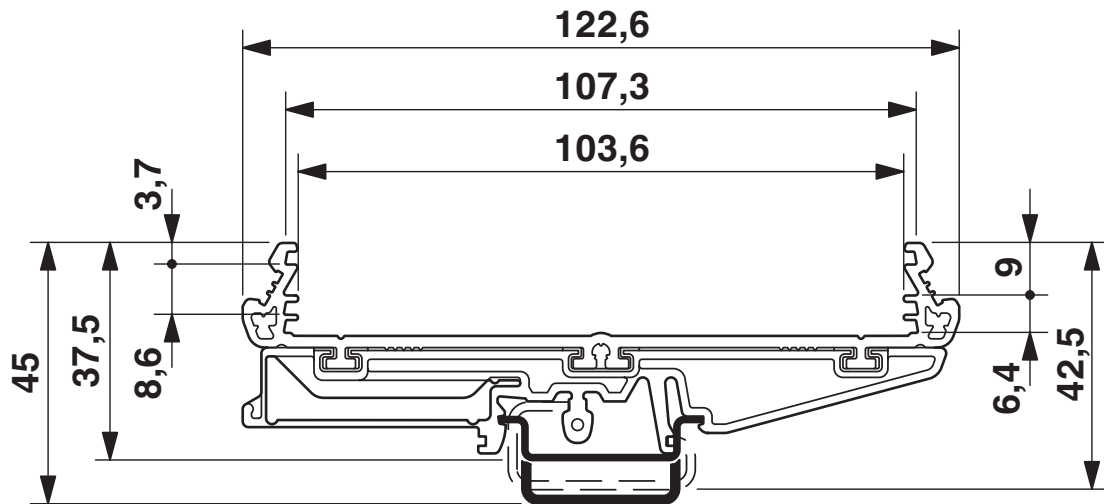
2959463

<https://www.phoenixcontact.com/us/products/2959463>

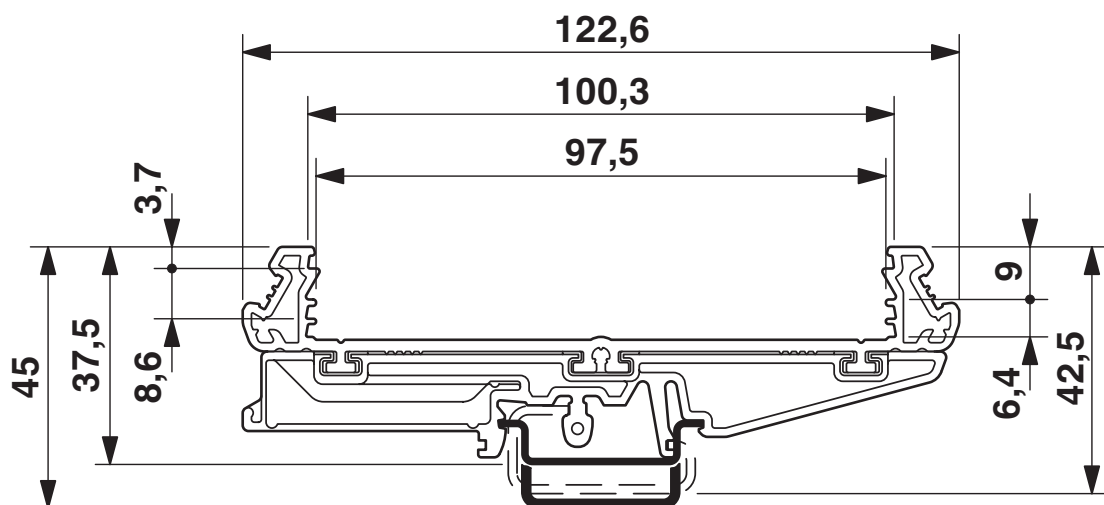


## Drawings

Dimensional drawing



Dimensional drawing



# UM108-FE - Foot element

2959463

<https://www.phoenixcontact.com/us/products/2959463>



## Approvals

To download certificates, visit the product detail page: <https://www.phoenixcontact.com/us/products/2959463>



**UL Recognized**

Approval ID: E240868

# UM108-FE - Foot element

2959463

<https://www.phoenixcontact.com/us/products/2959463>



## Classifications

### ECLASS

|             |          |
|-------------|----------|
| ECLASS-13.0 | 27190605 |
| ECLASS-15.0 | 27190605 |

### ETIM

|           |          |
|-----------|----------|
| ETIM 10.0 | EC002779 |
|-----------|----------|

### UNSPSC

|             |          |
|-------------|----------|
| UNSPSC 21.0 | 31261500 |
|-------------|----------|

# UM108-FE - Foot element



2959463

<https://www.phoenixcontact.com/us/products/2959463>

## Environmental product compliance

### EU RoHS

|   |                    |
|---|--------------------|
| Fulfills EU RoHS substance requirements | Yes, No exemptions |
|---|--------------------|

### China RoHS

|  |  |
|--|--|
| Environment friendly use period (EFUP) | EFUP-E                                   |
|  | No hazardous substances above the limits |

### EU REACH SVHC

|                                     |                            |
|-------------------------------------|----------------------------|
| REACH candidate substance (CAS No.) | No substance above 0.1 wt% |
|-------------------------------------|----------------------------|

Phoenix Contact 2026 © - all rights reserved  
<https://www.phoenixcontact.com>

Phoenix Contact USA  
586 Fulling Mill Road  
Middletown, PA 17057, United States  
(+717) 944-1300  
[info@phoenixcon.com](mailto:info@phoenixcon.com)