

UM 72-FE - Foot element

2959382

<https://www.phoenixcontact.com/us/products/2959382>

Please be informed that the data shown in this PDF document is generated from our online catalog. Please find the complete data in the user documentation. Our general terms of use for downloads are valid.

Foot element, 72 mm wide, for mounting on NS 32 or NS 35/7.5, below profile housing UM 72.



Your advantages

- Easy installation
- Flexible size and shape
- Inexpensive as a result of reducing the number of separate housing parts

Commercial data

Item number	2959382
Packing unit	10 pc
Minimum order quantity	10 pc
Sales key	AC13
Product key	ACHDBA
GTIN	4017918099350
Weight per piece (including packing)	5.95 g
Weight per piece (excluding packing)	4.5 g
Customs tariff number	39269097
Country of origin	PL

UM 72-FE - Foot element



2959382

<https://www.phoenixcontact.com/us/products/2959382>

Technical data

Product properties

Product type	Base latches
Housing type	Press-drawn section housings
Housing series	UM
Product family	UM72

Material specifications

Color (Housing)	green (RAL 6021)
Material Housing	PA
Flammability rating according to UL 94	V0
Surface characteristics	untreated

UM 72-FE - Foot element

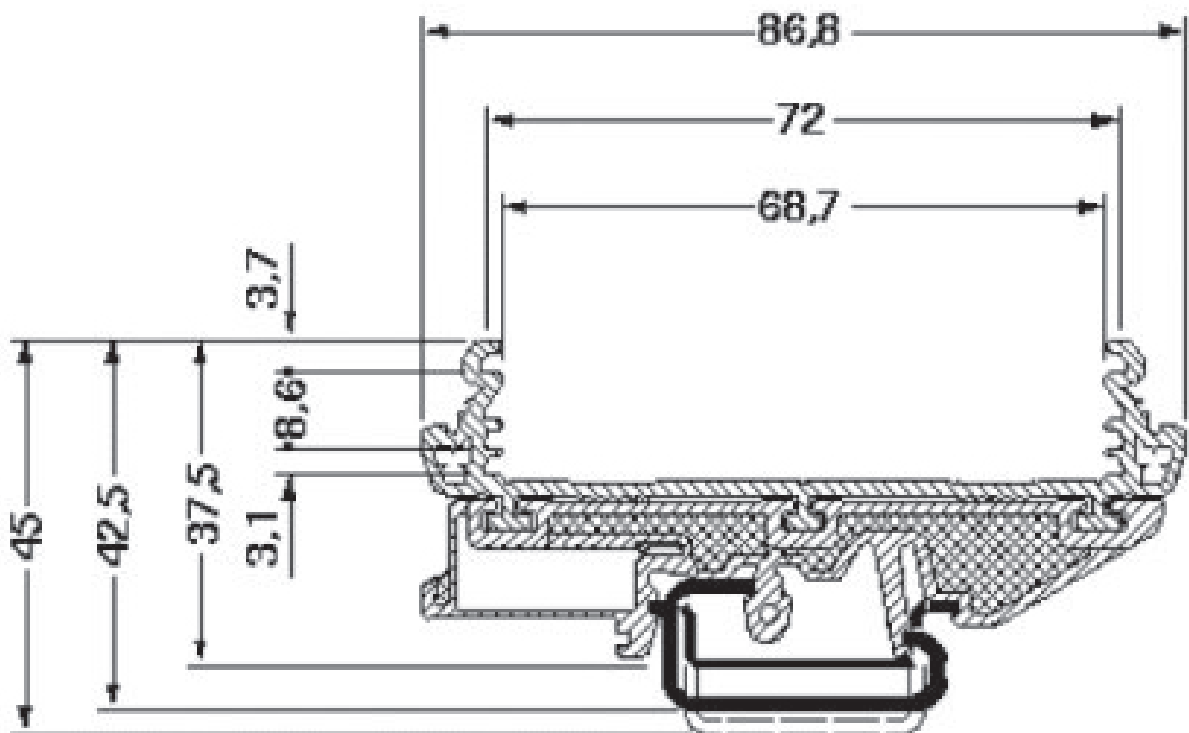
2959382

<https://www.phoenixcontact.com/us/products/2959382>



Drawings

Dimensional drawing



UM 72-FE - Foot element



2959382

<https://www.phoenixcontact.com/us/products/2959382>

Approvals

To download certificates, visit the product detail page: <https://www.phoenixcontact.com/us/products/2959382>



UL Recognized
Approval ID: E240868

UM 72-FE - Foot element



2959382

<https://www.phoenixcontact.com/us/products/2959382>

Classifications

ECLASS

ECLASS-13.0	27190605
ECLASS-15.0	27190605

ETIM

ETIM 10.0	EC002779
-----------	----------

UNSPSC

UNSPSC 21.0	31261500
-------------	----------

UM 72-FE - Foot element



2959382

<https://www.phoenixcontact.com/us/products/2959382>

Environmental product compliance

EU RoHS

Fulfills EU RoHS substance requirements	Yes, No exemptions
---	--------------------

China RoHS

Environment friendly use period (EFUP)	EFUP-E
	No hazardous substances above the limits

EU REACH SVHC

REACH candidate substance (CAS No.)	No substance above 0.1 wt%
-------------------------------------	----------------------------

EF3.1 Climate Change

CO2e kg	0.246 kg CO2e
---------	---------------

Phoenix Contact 2026 © - all rights reserved
<https://www.phoenixcontact.com>

Phoenix Contact USA
586 Fulling Mill Road
Middletown, PA 17057, United States
(+717) 944-1300
info@phoenixcon.com