

# UEG-EU-BE - Electronics housing



2956819

<https://www.phoenixcontact.com/us/products/2956819>

Please be informed that the data shown in this PDF document is generated from our online catalog. Please find the complete data in the user documentation. Our general terms of use for downloads are valid.



Electronics housing base element with snap-on foot for mounting on standard DIN rail, 35 mm wide

The figure shows a fully mounted version of the electronic housing

## Commercial data

Item number	2956819
Packing unit	5 pc
Minimum order quantity	5 pc
Sales key	AC11
Product key	ACHCCF
GTIN	4017918085957
Weight per piece (including packing)	84 g
Weight per piece (excluding packing)	77.3 g
Customs tariff number	85369010
Country of origin	DE

2956819

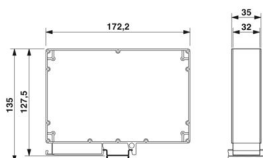
<https://www.phoenixcontact.com/us/products/2956819>

## Technical data

### Product properties

Product type	Lower housing part
Housing type	Component housing
Housing series	UEG
Product family	UEG-EU
Type	Housing base element, side panels necessary to complete the module
Ventilation openings present	no

### Dimensions

Dimensional drawing	
Width	35 mm
Depth	172 mm
Length	172 mm

### Material specifications

Color (Housing)	green (RAL 6021)
Material Housing	PA (fiber-reinforced)

### Environmental and real-life conditions

#### Ambient conditions

Ambient temperature (operation)	-40 °C ... 105 °C
---------------------------------	-------------------

### PCB data

Type of PCB mount	Bolt mounting
-------------------	---------------

### Mounting

Mounting type	Latching with housing half-shell
---------------	----------------------------------

# UEG-EU-BE - Electronics housing

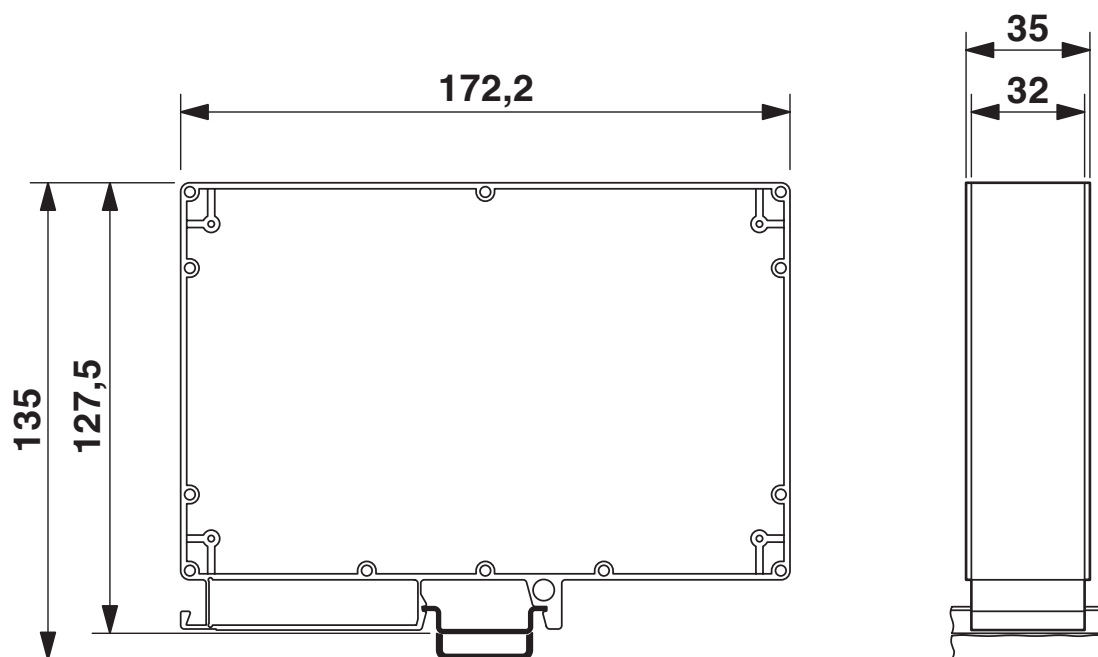
2956819

<https://www.phoenixcontact.com/us/products/2956819>

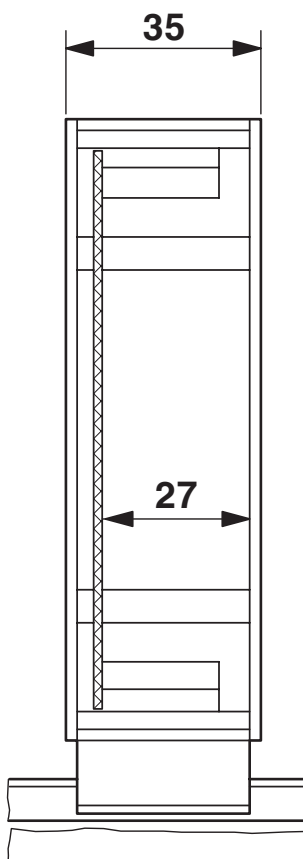


## Drawings

Dimensional drawing

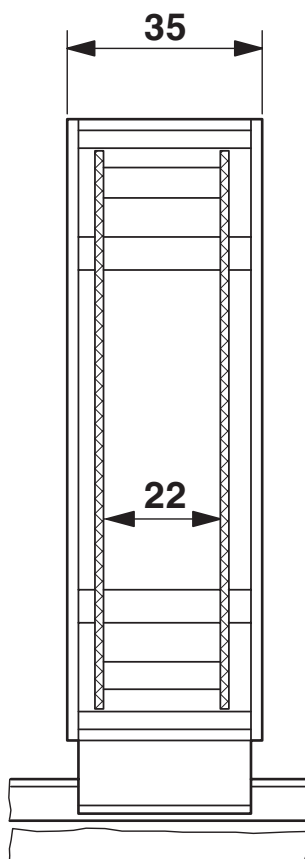


Dimensional drawing



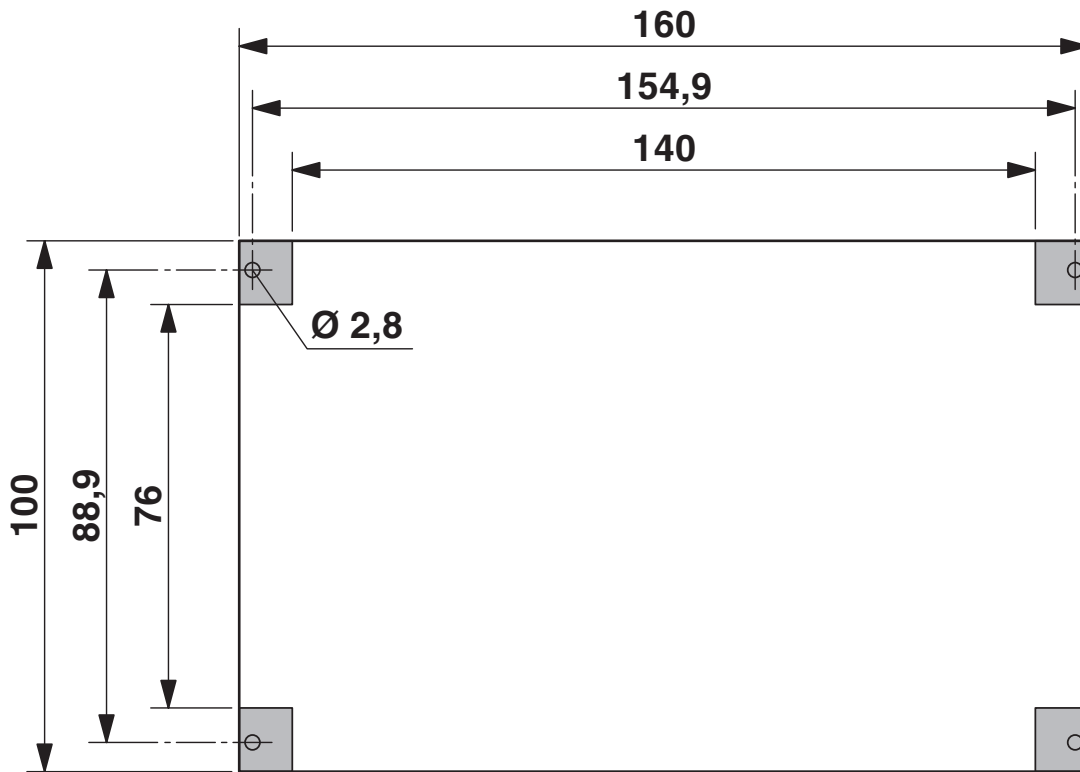
Maximum height of the components on the PCB, for 1 PCB

Dimensional drawing

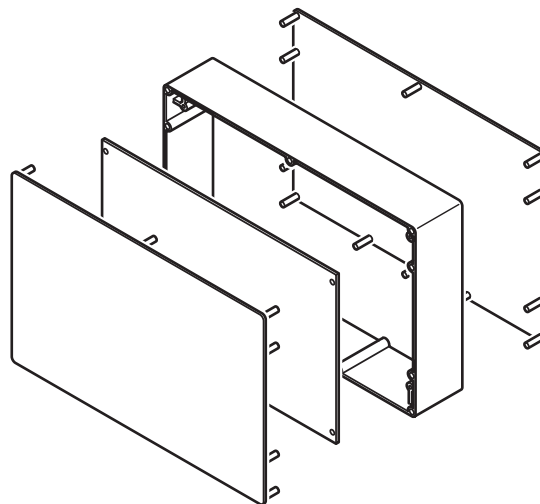


Maximum height of the components on the PCB with 2 PCBs

Dimensional drawing



Exploded view



# UEG-EU-BE - Electronics housing

2956819

<https://www.phoenixcontact.com/us/products/2956819>



## Approvals

To download certificates, visit the product detail page: <https://www.phoenixcontact.com/us/products/2956819>



**UL Recognized**

Approval ID: E240868

2956819

<https://www.phoenixcontact.com/us/products/2956819>

## Classifications

### ECLASS

ECLASS-13.0	27190604
ECLASS-15.0	27190604

### ETIM

ETIM 10.0	EC002779
-----------	----------

### UNSPSC

UNSPSC 21.0	31261500
-------------	----------

2956819

<https://www.phoenixcontact.com/us/products/2956819>

## Environmental product compliance

### EU RoHS

Fulfills EU RoHS substance requirements	Yes, No exemptions
---	--------------------

### China RoHS

Environment friendly use period (EFUP)	EFUP-E
	No hazardous substances above the limits

### EU REACH SVHC

REACH candidate substance (CAS No.)	No substance above 0.1 wt%
-------------------------------------	----------------------------

### EF3.1 Climate Change

CO2e kg	0.247 kg CO2e
---------	---------------

Phoenix Contact 2026 © - all rights reserved  
<https://www.phoenixcontact.com>

Phoenix Contact USA  
586 Fulling Mill Road  
Middletown, PA 17057, United States  
(+717) 944-1300  
[info@phoenixcon.com](mailto:info@phoenixcon.com)