

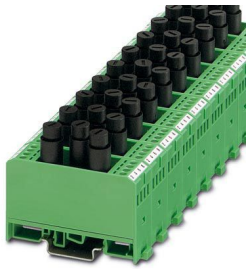
EMG 22-SI3S - Fuse block

2955771

<https://www.phoenixcontact.com/us/products/2955771>



Please be informed that the data shown in this PDF document is generated from our online catalog. Please find the complete data in the user documentation. Our general terms of use for downloads are valid.



Fuse module, for 3 cartridge fuse inserts, 5 x 20 mm, common connection point

The figure shows version EMG 22-SI/K, with 3 cartridge fuse holders

Commercial data

| | |
|--------------------------------------|--------------------------------|
| Item number | 2955771 |
| Packing unit | 1 pc |
| Note | Made to order (non-returnable) |
| Sales key | CL04 |
| Product key | CLA141 |
| GTIN | 4017918085650 |
| Weight per piece (including packing) | 62.64 g |
| Weight per piece (excluding packing) | 62.64 g |
| Customs tariff number | 85363010 |
| Country of origin | DE |

EMG 22-SI3S - Fuse block



2955771

<https://www.phoenixcontact.com/us/products/2955771>

Technical data

Product properties

| | |
|--------------|-------------|
| Product type | Fuse module |
|--------------|-------------|

Insulation characteristics

| | |
|----------------------|-----|
| Overvoltage category | III |
| Pollution degree | 2 |

Electrical properties

| | |
|-----------------------|----------|
| Nominal voltage U_N | 250 V AC |
|-----------------------|----------|

Connection data

| | |
|----------------------------------|---------------------------------------------|
| Connection method | Screw connection |
| Stripping length | 8 mm |
| Screw thread | M3 |
| Conductor cross-section rigid | 0.2 mm ² ... 4 mm ² |
| Conductor cross-section flexible | 0.2 mm ² ... 2.5 mm ² |
| Conductor cross-section AWG | 24 ... 12 |

Dimensions

| | |
|-------|---------|
| Width | 22.5 mm |
| Depth | 62 mm |

Material specifications

| | |
|-----------------------------|-------------------------------------|
| Color | green (RAL 6021) |
| Housing insulation material | Polycarbonate fiber reinforced PC-F |

Environmental and real-life conditions

Ambient conditions

| | |
|-----------------------------------------|------------------|
| Ambient temperature (operation) | -20 °C ... 50 °C |
| Ambient temperature (storage/transport) | -20 °C ... 50 °C |

Standards and regulations

| | |
|-----------------------|------------------------|
| Standards/regulations | IEC 664 |
| | IEC 664 A |
| | DIN VDE 0110-1 |
| | DIN VDE 0160 |
| | DIN VDE 0109-11, draft |

Mounting

| | |
|-------------------|---------------------------|
| Assembly note | in rows with zero spacing |
| Mounting position | any |

EMG 22-SI3S - Fuse block

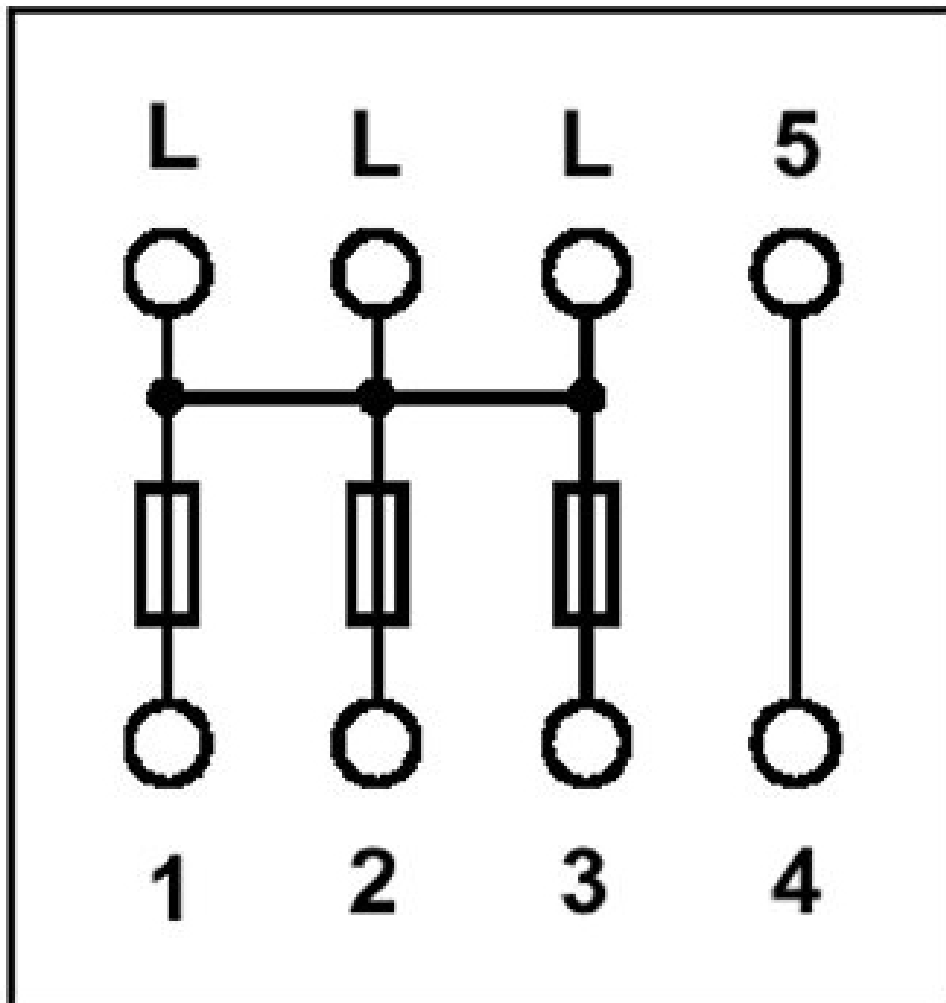
2955771

<https://www.phoenixcontact.com/us/products/2955771>



Drawings

Circuit diagram



EMG 22-SI3S

EMG 22-SI3S - Fuse block

2955771

<https://www.phoenixcontact.com/us/products/2955771>



Environmental product compliance

EU REACH SVHC

| REACH candidate substance (CAS No.) | No substance above 0.1 wt% |
|-------------------------------------|----------------------------|
|-------------------------------------|----------------------------|

Phoenix Contact 2026 © - all rights reserved

<https://www.phoenixcontact.com>

Phoenix Contact USA
586 Fulling Mill Road
Middletown, PA 17057, United States
(+717) 944-1300
info@phoenixcon.com