

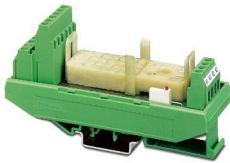
UM-HOZ 462/1-1-1-1-2-2/G 24 - Relay base



2955331

<https://www.phoenixcontact.com/us/products/2955331>

Please be informed that the data shown in this PDF document is generated from our online catalog. Please find the complete data in the user documentation. Our general terms of use for downloads are valid.



Universal module, with Hengstler plug-in base for safety relay H...462/2, contact: 4 N/O contacts, 2 N/C contacts, with light indicator, damping and polarity protection diodes, input voltage 24-48 V DC

Commercial data

Item number	2955331
Packing unit	1 pc
Note	Made to order (non-returnable)
Sales key	DN01
Product key	DNA155
GTIN	4017918085421
Weight per piece (including packing)	103.76 g
Weight per piece (excluding packing)	92.916 g
Customs tariff number	85364190
Country of origin	DE

UM-HOZ 462/1-1-1-1-2-2/G 24 - Relay base



2955331

<https://www.phoenixcontact.com/us/products/2955331>

Technical data

Product properties

Product type	Relay socket
Operating mode	100% operating factor

Electrical properties

Protective circuit	Damping diode, polarity protection diode
--------------------	--

Input data

Input voltage range	24 V AC ... 48 V AC
---------------------	---------------------

Connection data

Input side

Connection method	Screw connection
Stripping length	8 mm
Screw thread	M3
Conductor cross-section rigid	0.2 mm ² ... 4 mm ²
Conductor cross-section flexible	0.2 mm ² ... 2.5 mm ²
Conductor cross-section AWG	24 ... 12

Output side

Connection method	Screw connection
Stripping length	8 mm
Screw thread	M3
Conductor cross-section rigid	0.2 mm ² ... 4 mm ²
Conductor cross-section flexible	0.2 mm ² ... 2.5 mm ²
Conductor cross-section AWG	24 ... 12

Signaling

Status display	LED (red)
----------------	-----------

Dimensions

Width	40 mm
Height	111 mm
Depth	59 mm

Material specifications

Color	green (RAL 6021)
Insulating material	PA

Environmental and real-life conditions

Ambient conditions

Ambient temperature (operation)	-20 °C ... 50 °C
---------------------------------	------------------

UM-HOZ 462/1-1-1-1-2-2/G 24 - Relay base



2955331

<https://www.phoenixcontact.com/us/products/2955331>

Standards and regulations

Standards/regulations	DIN VDE 0110
-----------------------	--------------

Mounting

Mounting type	DIN rail mounting
Assembly note	in rows with zero spacing
Mounting position	any

UM-HOZ 462/1-1-1-1-2-2/G 24 - Relay base

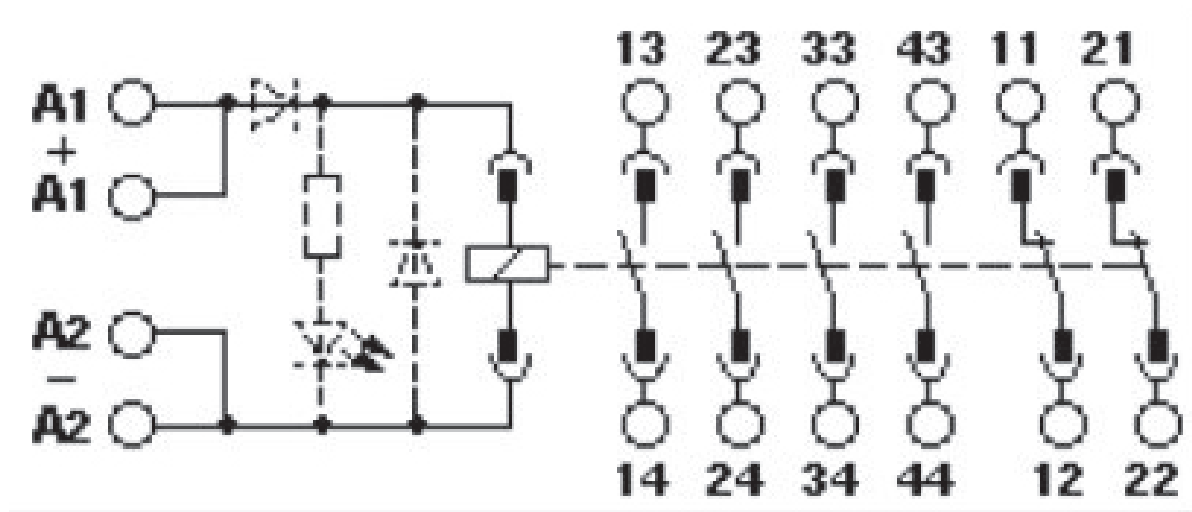


2955331

<https://www.phoenixcontact.com/us/products/2955331>

Drawings

Circuit diagram



Phoenix Contact 2026 © - all rights reserved
<https://www.phoenixcontact.com>

Phoenix Contact USA
586 Fulling Mill Road
Middletown, PA 17057, United States
(+717) 944-1300
info@phoenixcon.com