

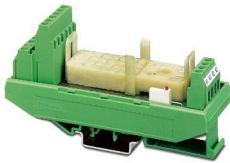
# UM-HOZ 462/1-1-1-1-2-2/W120 - Relay base



2955276

<https://www.phoenixcontact.com/us/products/2955276>

Please be informed that the data shown in this PDF document is generated from our online catalog. Please find the complete data in the user documentation. Our general terms of use for downloads are valid.



Universal module, with Hengstler plug-in base for safety relay H...462/2, contact: 4 N/O contacts, 2 N/C contacts, with light indicator, input voltage 120-230 V AC

## Commercial data

Item number	2955276
Packing unit	1 pc
Note	Made to order (non-returnable)
Sales key	DN01
Product key	DNA155
GTIN	4017918085377
Weight per piece (including packing)	104.7 g
Weight per piece (excluding packing)	93.9 g
Customs tariff number	85364900
Country of origin	DE

# UM-HOZ 462/1-1-1-1-2-2/W120 - Relay base



2955276

<https://www.phoenixcontact.com/us/products/2955276>

## Technical data

### Product properties

Product type	Relay socket
Operating mode	100% operating factor

### Electrical properties

Protective circuit	Damping diode, polarity protection diode
--------------------	--

### Input data

Input voltage range	120 V AC ... 230 V AC
---------------------	-----------------------

### Connection data

#### Input side

Connection method	Screw connection
Stripping length	8 mm
Screw thread	M3
Conductor cross-section rigid	0.2 mm <sup>2</sup> ... 4 mm <sup>2</sup>
Conductor cross-section flexible	0.2 mm <sup>2</sup> ... 2.5 mm <sup>2</sup>
Conductor cross-section AWG	24 ... 12

#### Output side

Connection method	Screw connection
Stripping length	8 mm
Screw thread	M3
Conductor cross-section rigid	0.2 mm <sup>2</sup> ... 4 mm <sup>2</sup>
Conductor cross-section flexible	0.2 mm <sup>2</sup> ... 2.5 mm <sup>2</sup>
Conductor cross-section AWG	24 ... 12

### Signaling

Status display	Glow lamp
----------------	-----------

### Dimensions

Width	40 mm
Height	111 mm
Depth	59 mm

### Material specifications

Color	green (RAL 6021)
Insulating material	PA

### Environmental and real-life conditions

#### Ambient conditions

Ambient temperature (operation)	-20 °C ... 50 °C
---------------------------------	------------------

# UM-HOZ 462/1-1-1-1-2-2/W120 - Relay base



2955276

<https://www.phoenixcontact.com/us/products/2955276>

## Standards and regulations

Standards/regulations	DIN VDE 0110
-----------------------	--------------

## Mounting

Mounting type	DIN rail mounting
Assembly note	in rows with zero spacing
Mounting position	any

# UM-HOZ 462/1-1-1-1-2-2/W120 - Relay base

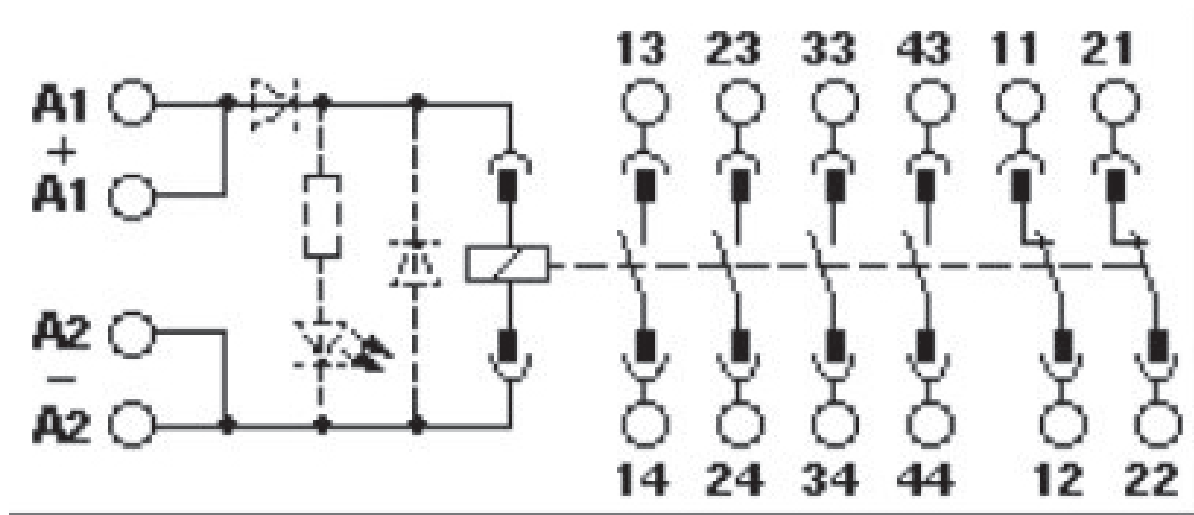


2955276

<https://www.phoenixcontact.com/us/products/2955276>

## Drawings

### Circuit diagram



Phoenix Contact 2026 © - all rights reserved  
<https://www.phoenixcontact.com>

Phoenix Contact USA  
586 Fulling Mill Road  
Middletown, PA 17057, United States  
(+717) 944-1300  
[info@phoenixcon.com](mailto:info@phoenixcon.com)