

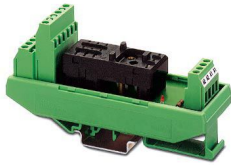
UM-RH 1003/3X21 - Relay base



2955108

<https://www.phoenixcontact.com/us/products/2955108>

Please be informed that the data shown in this PDF document is generated from our online catalog. Please find the complete data in the user documentation. Our general terms of use for downloads are valid.



Universal module, with Hartmann & Braun plug-in base for relay 1003, contact: 3 changeover contacts

Commercial data

Item number	2955108
Packing unit	5 pc
Minimum order quantity	1 pc
Product key	DK61A4
GTIN	4017918085261
Weight per piece (including packing)	104.52 g
Weight per piece (excluding packing)	88.475 g
Country of origin	DE

UM-RH 1003/3X21 - Relay base



2955108

<https://www.phoenixcontact.com/us/products/2955108>

Technical data

Product properties

Product type	Relay socket
Operating mode	100% operating factor

Electrical properties

Protective circuit	Damping diode, polarity protection diode
--------------------	--

Connection data

Input side

Connection method	Screw connection
Stripping length	8 mm
Screw thread	M3
Conductor cross-section rigid	0.2 mm ² ... 4 mm ²
Conductor cross-section flexible	0.2 mm ² ... 2.5 mm ²
Conductor cross-section AWG	24 ... 12

Output side

Connection method	Screw connection
Stripping length	8 mm
Screw thread	M3
Conductor cross-section rigid	0.2 mm ² ... 4 mm ²
Conductor cross-section flexible	0.2 mm ² ... 2.5 mm ²
Conductor cross-section AWG	24 ... 12

Signaling

Status display	LED (red)
----------------	-----------

Dimensions

Width	40 mm
Height	111 mm
Depth	59 mm

Material specifications

Color	green (RAL 6021)
Insulating material	PA

Environmental and real-life conditions

Ambient conditions

Ambient temperature (operation)	-20 °C ... 50 °C
---------------------------------	------------------

Standards and regulations

Standards/regulations	DIN VDE 0110
-----------------------	--------------

UM-RH 1003/3X21 - Relay base

2955108

<https://www.phoenixcontact.com/us/products/2955108>



Mounting

Mounting type	DIN rail mounting
Assembly note	in rows with zero spacing
Mounting position	any

UM-RH 1003/3X21 - Relay base

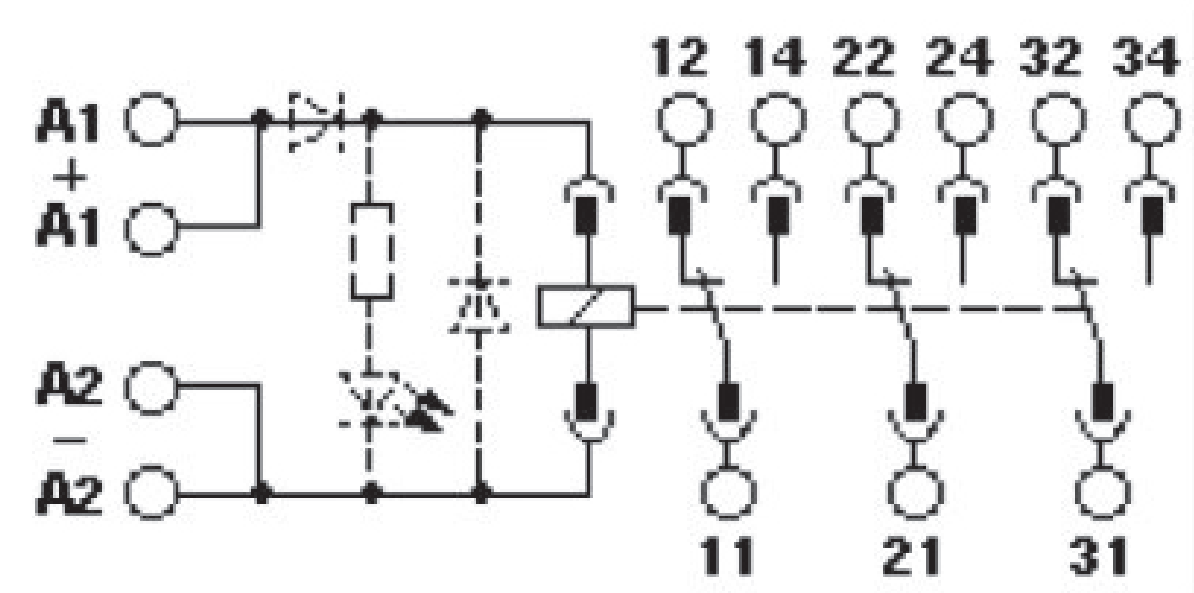


2955108

<https://www.phoenixcontact.com/us/products/2955108>

Drawings

Circuit diagram



UM-RH 1003/3X21 - Relay base



2955108

<https://www.phoenixcontact.com/us/products/2955108>

Environmental product compliance

China RoHS

Environment friendly use period (EFUP)	EFUP-50
	An article-related China RoHS declaration table can be found in the download area for the respective article under "Manufacturer declaration". For all articles with EFUP-E, no China RoHS declaration table issued and required.

EU REACH SVHC

REACH candidate substance (CAS No.)	No substance above 0.1 wt%
-------------------------------------	----------------------------

Phoenix Contact 2026 © - all rights reserved
<https://www.phoenixcontact.com>

Phoenix Contact USA
586 Fulling Mill Road
Middletown, PA 17057, United States
(+717) 944-1300
info@phoenixcon.com