

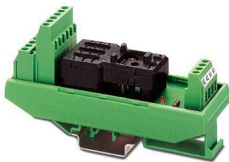
# UM-RH 1004/4X21/G 24 - Relay base



2955098

<https://www.phoenixcontact.com/us/products/2955098>

Please be informed that the data shown in this PDF document is generated from our online catalog. Please find the complete data in the user documentation. Our general terms of use for downloads are valid.



Universal module with Hartmann & Braun plug-in base for relay 1004, contact: 4 changeover contacts, with LED display, freewheeling and polarity protection diode, input voltage 24-48 V DC

## Commercial data

Item number	2955098
Packing unit	1 pc
Note	Made to order (non-returnable)
Sales key	C460
Product key	DK61A4
GTIN	4017918085254
Weight per piece (including packing)	111.34 g
Weight per piece (excluding packing)	100.54 g
Customs tariff number	85364190
Country of origin	DE

# UM-RH 1004/4X21/G 24 - Relay base



2955098

<https://www.phoenixcontact.com/us/products/2955098>

## Technical data

### Product properties

Product type	Relay socket
Operating mode	100% operating factor

### Electrical properties

Protective circuit	Damping diode, polarity protection diode
--------------------	--

### Input data

Input voltage range	24 V DC ... 48 V DC
---------------------	---------------------

### Connection data

#### Input side

Connection method	Screw connection
Stripping length	8 mm
Screw thread	M3
Conductor cross-section rigid	0.2 mm <sup>2</sup> ... 4 mm <sup>2</sup>
Conductor cross-section flexible	0.2 mm <sup>2</sup> ... 2.5 mm <sup>2</sup>
Conductor cross-section AWG	24 ... 12

#### Output side

Connection method	Screw connection
Stripping length	8 mm
Screw thread	M3
Conductor cross-section rigid	0.2 mm <sup>2</sup> ... 4 mm <sup>2</sup>
Conductor cross-section flexible	0.2 mm <sup>2</sup> ... 2.5 mm <sup>2</sup>
Conductor cross-section AWG	24 ... 12

### Signaling

Status display	LED (red)
----------------	-----------

### Dimensions

Width	40 mm
Height	111 mm
Depth	59 mm

### Material specifications

Color	green (RAL 6021)
Insulating material	PA

### Environmental and real-life conditions

#### Ambient conditions

Ambient temperature (operation)	-20 °C ... 50 °C
---------------------------------	------------------

# UM-RH 1004/4X21/G 24 - Relay base



2955098

<https://www.phoenixcontact.com/us/products/2955098>

## Standards and regulations

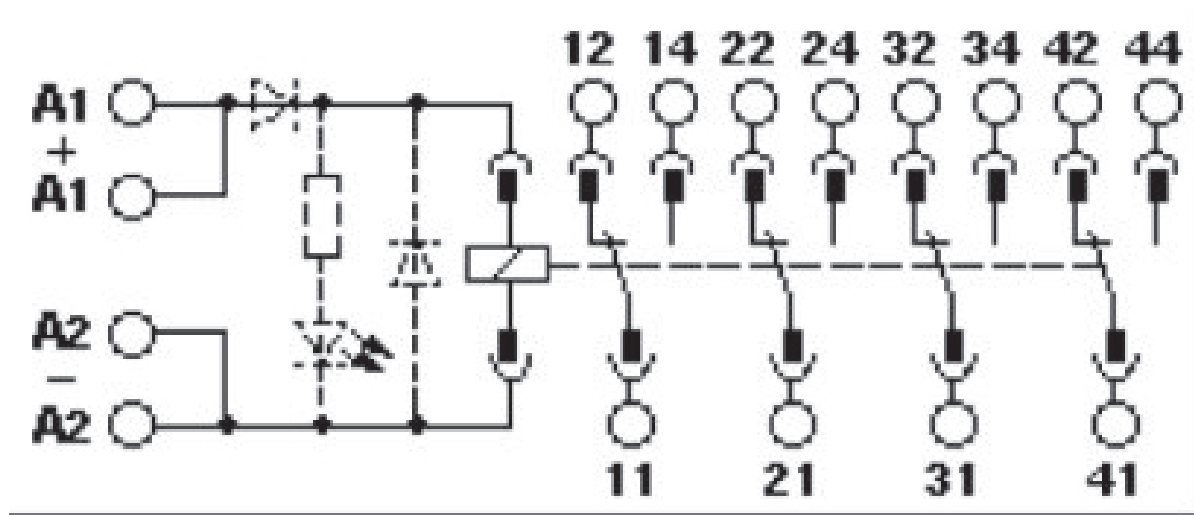
Standards/regulations	DIN VDE 0110
-----------------------	--------------

## Mounting

Mounting type	DIN rail mounting
Assembly note	in rows with zero spacing
Mounting position	any

Drawings

Circuit diagram



# UM-RH 1004/4X21/G 24 - Relay base



2955098

<https://www.phoenixcontact.com/us/products/2955098>

## Environmental product compliance

### China RoHS

Environment friendly use period (EFUP)	EFUP-50
	An article-related China RoHS declaration table can be found in the download area for the respective article under "Manufacturer declaration". For all articles with EFUP-E, no China RoHS declaration table issued and required.

### EU REACH SVHC

REACH candidate substance (CAS No.)	No substance above 0.1 wt%
-------------------------------------	----------------------------

Phoenix Contact 2026 © - all rights reserved  
<https://www.phoenixcontact.com>

Phoenix Contact USA  
586 Fulling Mill Road  
Middletown, PA 17057, United States  
(+717) 944-1300  
[info@phoenixcon.com](mailto:info@phoenixcon.com)