

# EMG 45-NZG/G15/SI - Power supply



2954992

<https://www.phoenixcontact.com/us/products/2954992>

Please be informed that the data shown in this PDF document is generated from our online catalog. Please find the complete data in the user documentation. Our general terms of use for downloads are valid.



Voltage regulator module with fixed-voltage regulator, input 18 V-23 V AC/20 V-32 V DC, output 15 V DC/1 A

## Commercial data

Item number	2954992
Packing unit	1 pc
Note	Made to order (non-returnable)
Sales key	CM11
Product key	CMPL92
GTIN	4017918117870
Weight per piece (including packing)	178 g
Weight per piece (excluding packing)	178 g
Customs tariff number	85044082
Country of origin	DE

# EMG 45-NZG/G15/SI - Power supply



2954992

<https://www.phoenixcontact.com/us/products/2954992>

## Technical data

### Product properties

Operating mode	100% operating factor
----------------	-----------------------

### Input data

Input voltage	20.5 V AC 10 %
Nominal input voltage range	20.5 V AC ... 22.6 V AC
AC frequency range	60 Hz ... 50 Hz
Nominal power consumption	approx. 41 VA
Input fuse	1.25 A (normal-blow (5 x 20))

### Output data

Nominal output voltage	15 V DC $\pm 4$ %
Nominal output current ( $I_N$ )	1 A
Residual ripple	$\leq 150$ mV <sub>PP</sub>
Protective circuit	Thermo-electronic disconnect; Varistor

### Connection data

#### Input

Connection method	Screw connection
Conductor cross-section, rigid min.	0.2 mm <sup>2</sup>
Conductor cross-section, rigid max.	4 mm <sup>2</sup>
Conductor cross-section flexible min.	0.2 mm <sup>2</sup>
Conductor cross-section flexible max.	2.5 mm <sup>2</sup>
Conductor cross-section AWG min.	24
Conductor cross-section AWG max.	14
Stripping length	8 mm
Screw thread	M3

#### Output

Connection method	Screw connection
Conductor cross-section, rigid min.	0.2 mm <sup>2</sup>
Conductor cross-section, rigid max.	4 mm <sup>2</sup>
Conductor cross-section flexible min.	0.2 mm <sup>2</sup>
Conductor cross-section flexible max.	2.5 mm <sup>2</sup>
Conductor cross-section AWG min.	24
Conductor cross-section AWG max.	14
Stripping length	8 mm
Screw thread	M3

### Signaling

Operating voltage display	Green LED
---------------------------	-----------

# EMG 45-NZG/G15/SI - Power supply



2954992

<https://www.phoenixcontact.com/us/products/2954992>

## Dimensions

Width	45 mm
Height	86 mm
Depth	75 mm

## Environmental and real-life conditions

### Ambient conditions

Degree of protection	IP20
Ambient temperature (operation)	0 °C ... 55 °C

## Mounting

Assembly note	can be aligned with spacing = 5 mm
Mounting position	vertical, horizontal

# EMG 45-NZG/G15/SI - Power supply

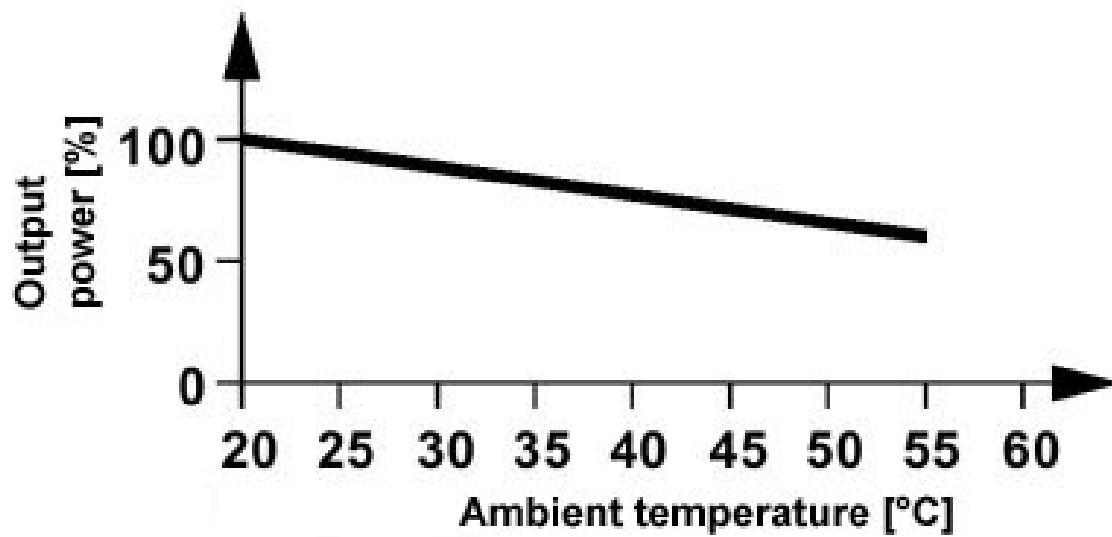
2954992

<https://www.phoenixcontact.com/us/products/2954992>



## Drawings

### Diagram

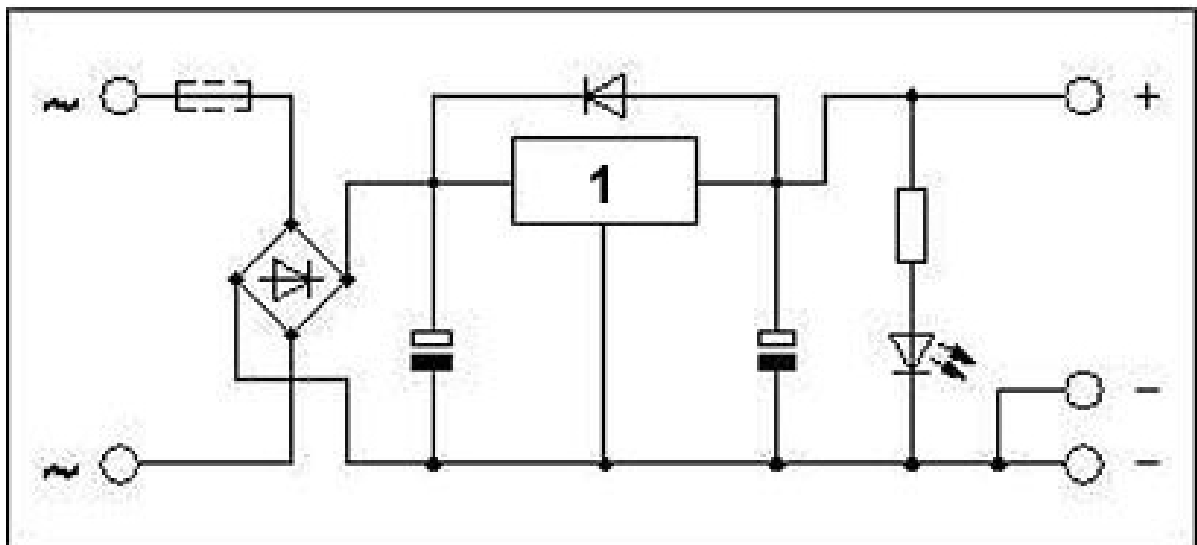


# EMG 45-NZG/G15/SI - Power supply

2954992

<https://www.phoenixcontact.com/us/products/2954992>

Circuit diagram



1 = regulator

# EMG 45-NZG/G15/SI - Power supply



2954992

<https://www.phoenixcontact.com/us/products/2954992>

## Environmental product compliance

### EU RoHS

Fulfills EU RoHS substance requirements	Yes, No exemptions
---	--------------------

### EU REACH SVHC

REACH candidate substance (CAS No.)	No substance above 0.1 wt%
-------------------------------------	----------------------------

Phoenix Contact 2026 © - all rights reserved

<https://www.phoenixcontact.com>

Phoenix Contact USA  
586 Fulling Mill Road  
Middletown, PA 17057, United States  
(+717) 944-1300  
[info@phoenixcon.com](mailto:info@phoenixcon.com)