

EMG 17-OE- 24DC/ 24DC/500 - Solid-state relay module



2954390

<https://www.phoenixcontact.com/us/products/2954390>

Please be informed that the data shown in this PDF document is generated from our online catalog. Please find the complete data in the user documentation. Our general terms of use for downloads are valid.



Input optocoupler, with light indicator and protection circuits in the input and output circuits, input: 24 V DC, output: short-circuit resistant, 12-35 V DC/max. 500 mA

The figure shows version EMG 17-OE, with short-circuit proof DC voltage output, max. 500 mA

Commercial data

Item number	2954390
Packing unit	1 pc
Note	Made to order (non-returnable)
Sales key	NULL
Product key	DK61C1
GTIN	4017918085056
Weight per piece (including packing)	57.58 g
Weight per piece (excluding packing)	57.58 g
Customs tariff number	85364190
Country of origin	DE

EMG 17-OE- 24DC/ 24DC/500 - Solid-state relay module



2954390

<https://www.phoenixcontact.com/us/products/2954390>

Technical data

Product properties

Product type	Solid-state relay module
Application	Input function
Operating mode	100% operating factor

Insulation characteristics

Overvoltage category	III
Pollution degree	2

Data management status

Date of last data management	15.09.2025
------------------------------	------------

Electrical properties

Test voltage (Input/output)	3.5 kV AC (Input/output)
-----------------------------	--------------------------

Input data

Nominal input voltage U_N	24 V DC
Input voltage range in reference to U_N	0.9 ... 1.1
Input voltage range	21.6 V DC ... 26.4 V DC
Switching threshold "0" signal in reference to U_N	≤ 0.4
Switching threshold "1" signal in reference to U_N	≥ 0.8
Typical input current at U_N	5 mA
Typical response time	50 μ s
Typical turn-off time	200 μ s
Status display	LED (yellow)
Protective circuit	Reverse polarity protection; Polarity protection diode RC element
Transmission frequency	300 Hz

Output data

Design of digital output	electronic
Output nominal voltage	24 V DC
Output voltage range	22 V DC ... 35 V DC
Limiting continuous current	500 mA
Current limitation at short-circuits	620 mA (continued short-circuit resistant)
Voltage drop at max. limiting continuous current	2 V
Output circuit	3-conductor, ground-referenced
Error indication	Red LED, (flashes in the event of short-circuits or overload)
Protective circuit	Reverse polarity protection; Polarity protection diode Free running; Freewheeling diode

Connection data

EMG 17-OE- 24DC/ 24DC/500 - Solid-state relay module



2954390

<https://www.phoenixcontact.com/us/products/2954390>

Input side

Connection method	Screw connection
Stripping length	8 mm
Screw thread	M3
Conductor cross-section rigid	0.2 mm ² ... 4 mm ²
Conductor cross-section flexible	0.2 mm ² ... 2.5 mm ²
Conductor cross-section AWG	24 ... 12

Output side

Connection method	Screw connection
Stripping length	8 mm
Screw thread	M3
Conductor cross-section rigid	0.2 mm ² ... 4 mm ²
Conductor cross-section flexible	0.2 mm ² ... 2.5 mm ²
Conductor cross-section AWG	24 ... 12

Dimensions

Width	17.5 mm
Height	75 mm
Depth	102 mm

Material specifications

Color	green (RAL 6021)
Flammability rating according to UL 94	V0

Environmental and real-life conditions

Ambient conditions

Degree of protection	IP20
Ambient temperature (operation)	-20 °C ... 50 °C
Ambient temperature (storage/transport)	-20 °C ... 70 °C

Standards and regulations

Standards/regulations	DIN VDE 0110b, Gr. C for 250 V DC VDE 0110
-----------------------	---

Mounting

Assembly note	in rows with zero spacing
Mounting position	any

EMG 17-OE- 24DC/ 24DC/500 - Solid-state relay module

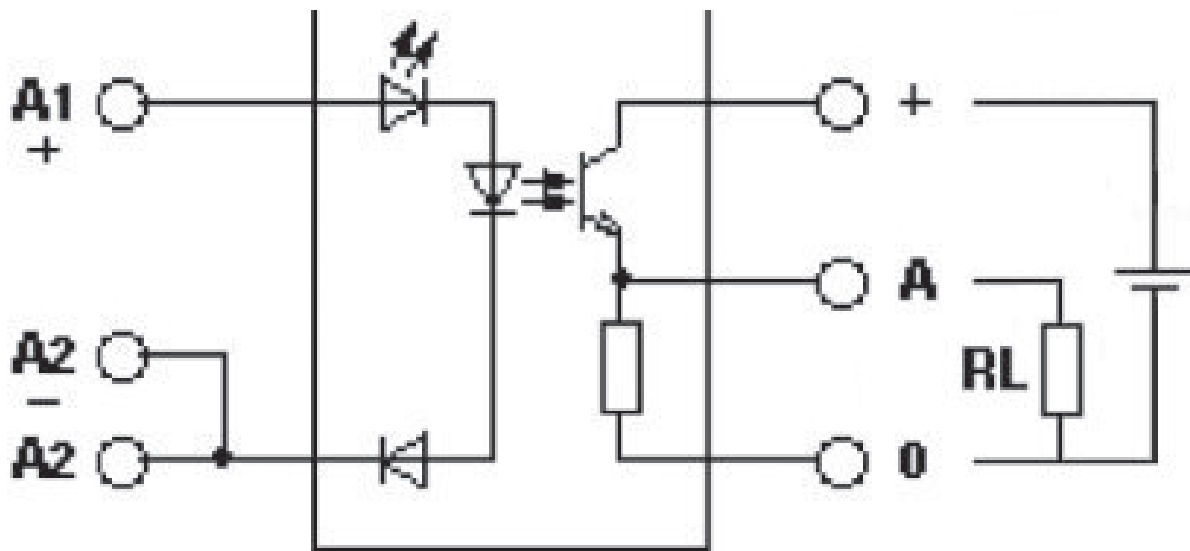


2954390

<https://www.phoenixcontact.com/us/products/2954390>

Drawings

Circuit diagram



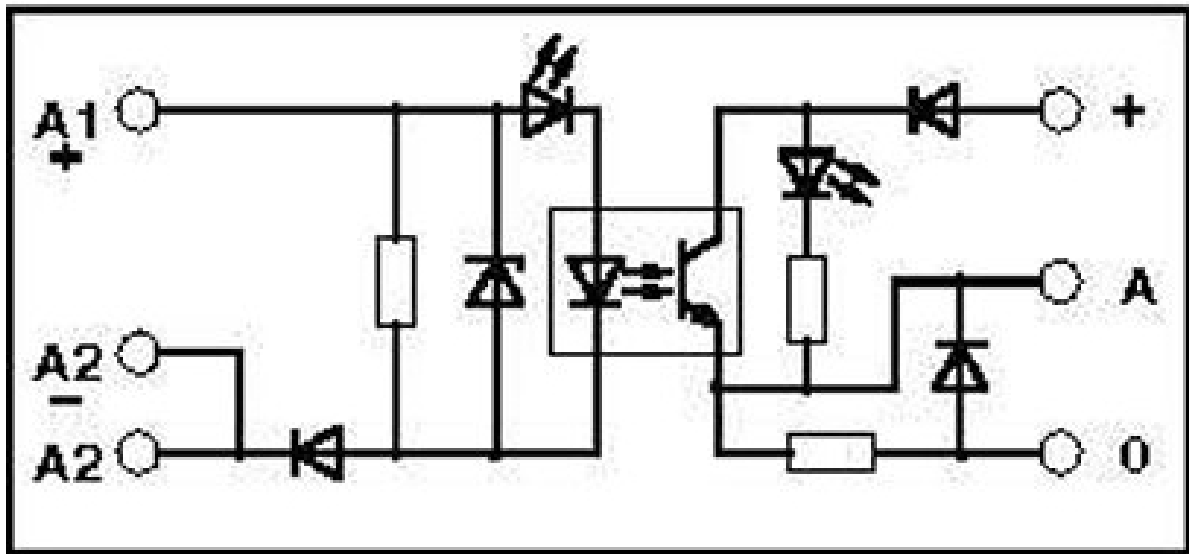
EMG 17-OE- 24DC/ 24DC/500 - Solid-state relay module



2954390

<https://www.phoenixcontact.com/us/products/2954390>

Circuit diagram



EMG 17-OE- 24DC/ 24DC/500 - Solid-state relay module



2954390

<https://www.phoenixcontact.com/us/products/2954390>

Environmental product compliance

EU REACH SVHC

REACH candidate substance (CAS No.)	
-------------------------------------	--

	No substance above 0.1 wt%
--	----------------------------

Phoenix Contact 2026 © - all rights reserved

<https://www.phoenixcontact.com>

Phoenix Contact USA
586 Fulling Mill Road
Middletown, PA 17057, United States
(+717) 944-1300
info@phoenixcon.com