

# EMG 17-OE- 5DC/ 24DC/500 - Solid-state relay module



2954374

<https://www.phoenixcontact.com/us/products/2954374>

Please be informed that the data shown in this PDF document is generated from our online catalog. Please find the complete data in the user documentation. Our general terms of use for downloads are valid.



Input optocoupler, with light indicator and protection circuits in the input and output circuits, input: 5 V DC, output: short-circuit resistant, 12-35 V DC/max. 500 mA

The figure shows version EMG 17-OE, with short-circuit proof DC voltage output, max. 500 mA

## Commercial data

Item number	2954374
Packing unit	1 pc
Note	Made to order (non-returnable)
Sales key	C460
Product key	DK61C1
GTIN	4017918085032
Weight per piece (including packing)	56.27 g
Weight per piece (excluding packing)	56.27 g
Customs tariff number	85364190
Country of origin	DE

# EMG 17-OE- 5DC/ 24DC/500 - Solid-state relay module



2954374

<https://www.phoenixcontact.com/us/products/2954374>

## Technical data

### Product properties

Product type	Solid-state relay module
Application	Input function
Operating mode	100% operating factor

### Insulation characteristics

Overvoltage category	III
Pollution degree	2

### Data management status

Date of last data management	01.04.2026
------------------------------	------------

### Electrical properties

Test voltage (Input/output)	3.5 kV AC (Input/output)
-----------------------------	--------------------------

### Input data

Nominal input voltage $U_N$	5 V DC
Input voltage range in reference to $U_N$	0.9 ... 1.1
Input voltage range	4.5 V DC ... 5.5 V DC
Switching threshold "0" signal in reference to $U_N$	$\leq 0.4$
Switching threshold "1" signal in reference to $U_N$	$\geq 0.8$
Typical input current at $U_N$	5 mA
Typical response time	50 $\mu$ s
Typical turn-off time	200 $\mu$ s
Status display	LED (yellow)
Protective circuit	Reverse polarity protection; Polarity protection diode RC element
Transmission frequency	300 Hz

### Output data

Design of digital output	electronic
Output nominal voltage	24 V DC
Output voltage range	22 V DC ... 35 V DC
Limiting continuous current	500 mA
Current limitation at short-circuits	620 mA (continued short-circuit resistant)
Voltage drop at max. limiting continuous current	2 V
Output circuit	3-conductor, ground-referenced
Error indication	Red LED, (flashes in the event of short-circuits or overload)
Protective circuit	Reverse polarity protection; Polarity protection diode Free running; Freewheeling diode

### Connection data

# EMG 17-OE- 5DC/ 24DC/500 - Solid-state relay module



2954374

<https://www.phoenixcontact.com/us/products/2954374>

## Input side

Connection method	Screw connection
Stripping length	8 mm
Screw thread	M3
Conductor cross-section rigid	0.2 mm <sup>2</sup> ... 4 mm <sup>2</sup>
Conductor cross-section flexible	0.2 mm <sup>2</sup> ... 2.5 mm <sup>2</sup>
Conductor cross-section AWG	24 ... 12

## Output side

Connection method	Screw connection
Stripping length	8 mm
Screw thread	M3
Conductor cross-section rigid	0.2 mm <sup>2</sup> ... 4 mm <sup>2</sup>
Conductor cross-section flexible	0.2 mm <sup>2</sup> ... 2.5 mm <sup>2</sup>
Conductor cross-section AWG	24 ... 12

## Dimensions

Width	17.5 mm
Height	75 mm
Depth	102 mm

## Material specifications

Color	green (RAL 6021)
Flammability rating according to UL 94	V0

## Environmental and real-life conditions

### Ambient conditions

Degree of protection	IP20
Ambient temperature (operation)	-20 °C ... 50 °C
Ambient temperature (storage/transport)	-20 °C ... 70 °C

## Standards and regulations

Standards/regulations	DIN VDE 0110b, Gr. C for 250 V DC VDE 0110
-----------------------	---

## Mounting

Assembly note	in rows with zero spacing
Mounting position	any

# EMG 17-OE- 5DC/ 24DC/500 - Solid-state relay module

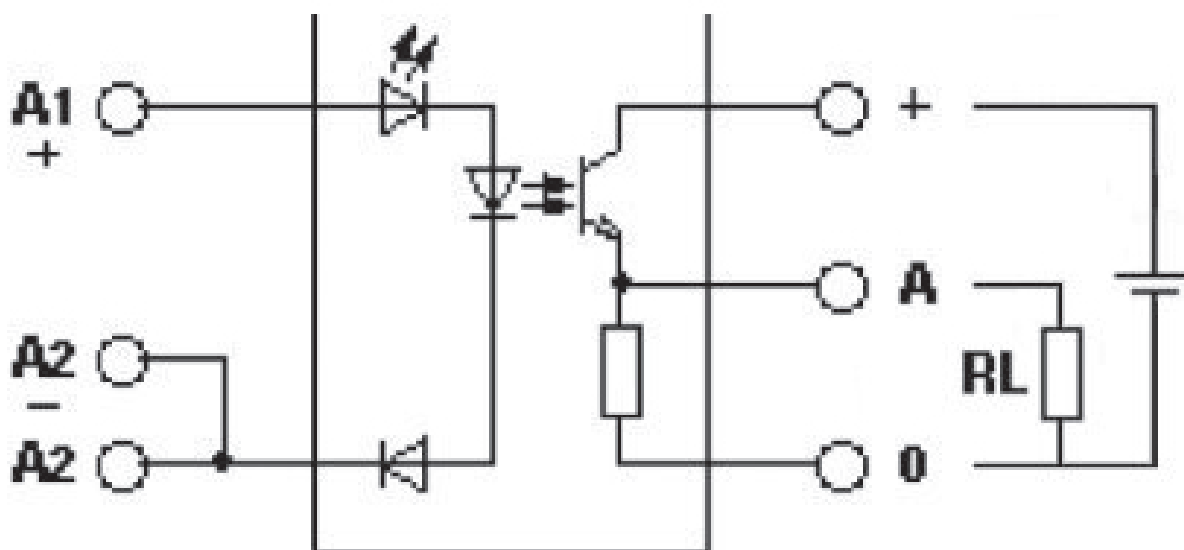


2954374

<https://www.phoenixcontact.com/us/products/2954374>

## Drawings

Circuit diagram

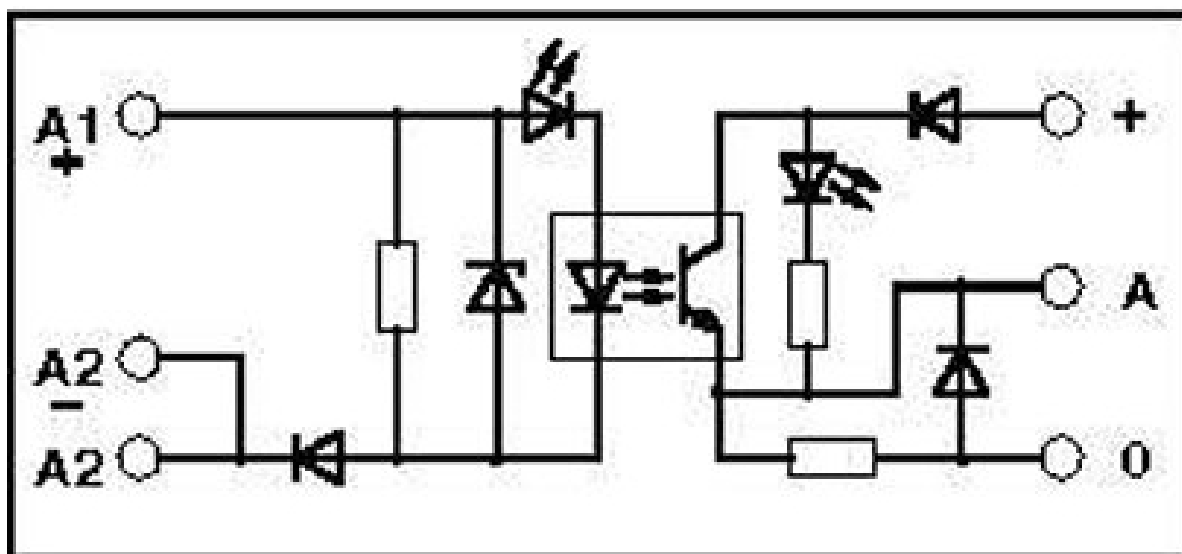


# EMG 17-OE- 5DC/ 24DC/500 - Solid-state relay module

2954374

<https://www.phoenixcontact.com/us/products/2954374>

Circuit diagram



# EMG 17-OE- 5DC/ 24DC/500 - Solid-state relay module



2954374

<https://www.phoenixcontact.com/us/products/2954374>

## Environmental product compliance

EU REACH SVHC

REACH candidate substance (CAS No.)	
-------------------------------------	--

	No substance above 0.1 wt%
--	----------------------------

Phoenix Contact 2026 © - all rights reserved

<https://www.phoenixcontact.com>

Phoenix Contact USA  
586 Fulling Mill Road  
Middletown, PA 17057, United States  
(+717) 944-1300  
[info@phoenixcon.com](mailto:info@phoenixcon.com)