

EMG 17-OV- 24DC/220DC/1 - Solid-state relay module



2954073

<https://www.phoenixcontact.com/us/products/2954073>

Please be informed that the data shown in this PDF document is generated from our online catalog. Please find the complete data in the user documentation. Our general terms of use for downloads are valid.



Power optocoupler, with light indicator and protection circuits in the input and output circuits, input: 24 V DC, output: 15-220 V DC/ max. 1 A

Commercial data

Item number	2954073
Packing unit	1 pc
Note	Made to order (non-returnable)
Sales key	C460
Product key	DK61C2
GTIN	4017918084738
Weight per piece (including packing)	88.36 g
Weight per piece (excluding packing)	88.36 g
Customs tariff number	85364190
Country of origin	DE

Technical data

Product properties

Product type	Solid-state relay module
Operating mode	100% operating factor

Insulation characteristics

Insulation	Basic insulation
Overvoltage category	III
Pollution degree	2

Data management status

Date of last data management	01.04.2026
------------------------------	------------

Electrical properties

Test voltage (Input/output)	3.5 kV AC (Input/output)
-----------------------------	--------------------------

Input data

Nominal input voltage U_N	24 V DC
Input voltage range in reference to U_N	0.9 ... 1.1
Input voltage range	21.6 V DC ... 26.4 V DC
Switching threshold "0" signal, voltage	≤ 7.5 V
Switching threshold "1" signal voltage	≥ 10 V
Typical input current at U_N	6.3 mA
Typical response time	4 ms
Typical turn-off time	35 ms
Status display	LED (yellow)
Protective circuit	Reverse polarity protection; Polarity protection diode
Transmission frequency	100 Hz

Output data

Design of digital output	electronic
Output nominal voltage	220 V DC
Output voltage range	15 V DC ... 220 V DC
Limiting continuous current	1 A
Maximum inrush current	2 A (t = 1 s)
Peak offstate voltage	220 V DC (Collector-emitter reverse voltage)
Voltage drop at max. limiting continuous current	≤ 1.2 V
Output circuit	2-conductor, floating
Protective circuit	Reverse polarity protection; Polarity protection diode
	Surge protection; Suppressor diode
	Free running; Freewheeling diode

Connection data

2954073

<https://www.phoenixcontact.com/us/products/2954073>

Input side

Connection method	Screw connection
Stripping length	8 mm
Screw thread	M3
Conductor cross-section rigid	0.2 mm ² ... 4 mm ²
Conductor cross-section flexible	0.2 mm ² ... 2.5 mm ²
Conductor cross-section AWG	24 ... 12

Output side

Connection method	Screw connection
Stripping length	8 mm
Screw thread	M3
Conductor cross-section rigid	0.2 mm ² ... 4 mm ²
Conductor cross-section flexible	0.2 mm ² ... 2.5 mm ²
Conductor cross-section AWG	24 ... 12

Dimensions

Width	17.5 mm
Height	75 mm
Depth	102 mm

Material specifications

Color	green (RAL 6021)
Flammability rating according to UL 94	V0

Environmental and real-life conditions

Ambient conditions

Degree of protection	IP20
Ambient temperature (operation)	-20 °C ... 50 °C
Ambient temperature (storage/transport)	-20 °C ... 70 °C

Standards and regulations

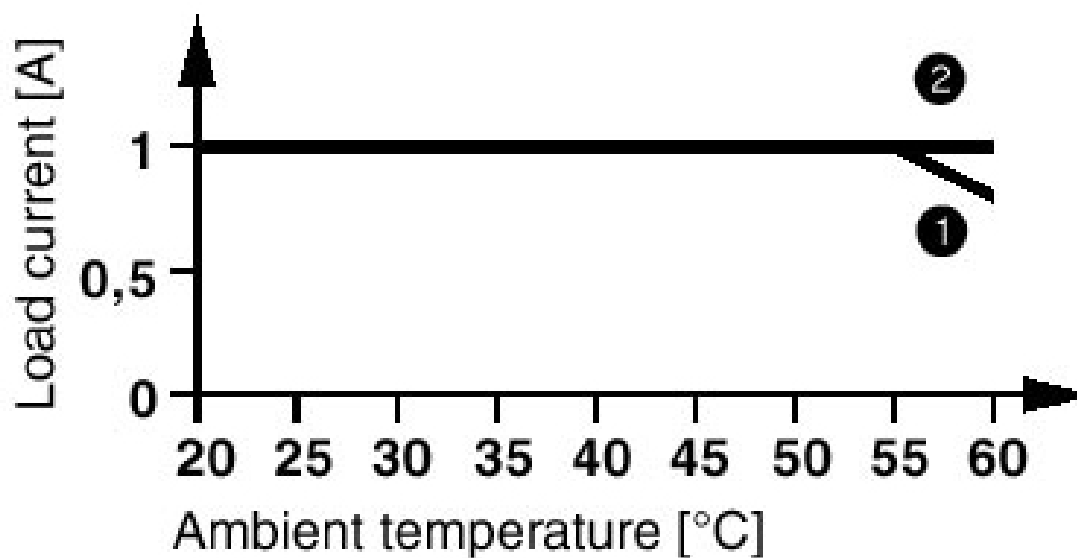
Standards/regulations	DIN VDE 0110
-----------------------	--------------

Mounting

Assembly note	in rows with zero spacing
Mounting position	any

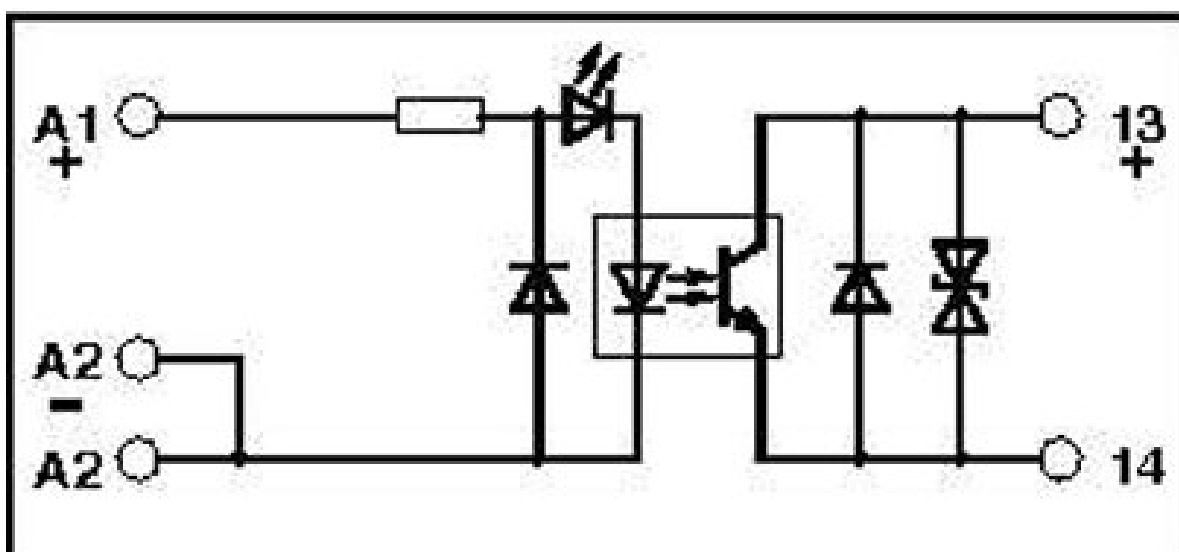
Drawings

Diagram



- ① mounted in rows with zero spacing.
- ② power optocouplers mounted in rows, ≥ 20 mm.

Circuit diagram



2954073

<https://www.phoenixcontact.com/us/products/2954073>

Environmental product compliance

China RoHS

Environment friendly use period (EFUP)	EFUP-50
	An article-related China RoHS declaration table can be found in the download area for the respective article under "Manufacturer declaration". For all articles with EFUP-E, no China RoHS declaration table issued and required.

EU REACH SVHC

REACH candidate substance (CAS No.)	No substance above 0.1 wt%
-------------------------------------	----------------------------

Phoenix Contact 2026 © - all rights reserved
<https://www.phoenixcontact.com>

Phoenix Contact USA
586 Fulling Mill Road
Middletown, PA 17057, United States
(+717) 944-1300
info@phoenixcon.com