

EMG 45-LED 14S/24 - Display module

2952334

<https://www.phoenixcontact.com/us/products/2952334>

Please be informed that the data shown in this PDF document is generated from our online catalog. Please find the complete data in the user documentation. Our general terms of use for downloads are valid.

Indicator module, with 14 red LEDs and common return line, input voltage 24 V DC



Commercial data

Item number	2952334
Packing unit	1 pc
Note	Made to order (non-returnable)
Sales key	C440
Product key	DK66M2
GTIN	4017918084431
Weight per piece (including packing)	100.76 g
Weight per piece (excluding packing)	100.76 g
Customs tariff number	85318070
Country of origin	DE

EMG 45-LED 14S/24 - Display module



2952334

<https://www.phoenixcontact.com/us/products/2952334>

Technical data

Product properties

Product type	Display module
Indication elements	14 red LEDs and shared return line

Electrical properties

Current required per light indicator	approx. 3 mA
--------------------------------------	--------------

Input data

Input voltage	24 V DC
Current required per light indicator	approx. 3 mA
Indication elements	14 red LEDs and shared return line

Connection data

Connection method	Screw connection
Stripping length	8 mm
Screw thread	M3
Conductor cross-section rigid	0.2 mm ² ... 4 mm ²
Conductor cross-section flexible	0.2 mm ² ... 2.5 mm ²
Conductor cross-section AWG	24 ... 12

Signaling

Status display	14 red LEDs and shared return line
----------------	------------------------------------

Dimensions

Width	45 mm
Height	75 mm
Depth	47.5 mm

Environmental and real-life conditions

Ambient conditions

Ambient temperature (operation)	-20 °C ... 45 °C
Ambient temperature (storage/transport)	-40 °C ... 60 °C

Mounting

Mounting type	DIN rail mounting
Assembly note	in rows with zero spacing
Mounting position	any

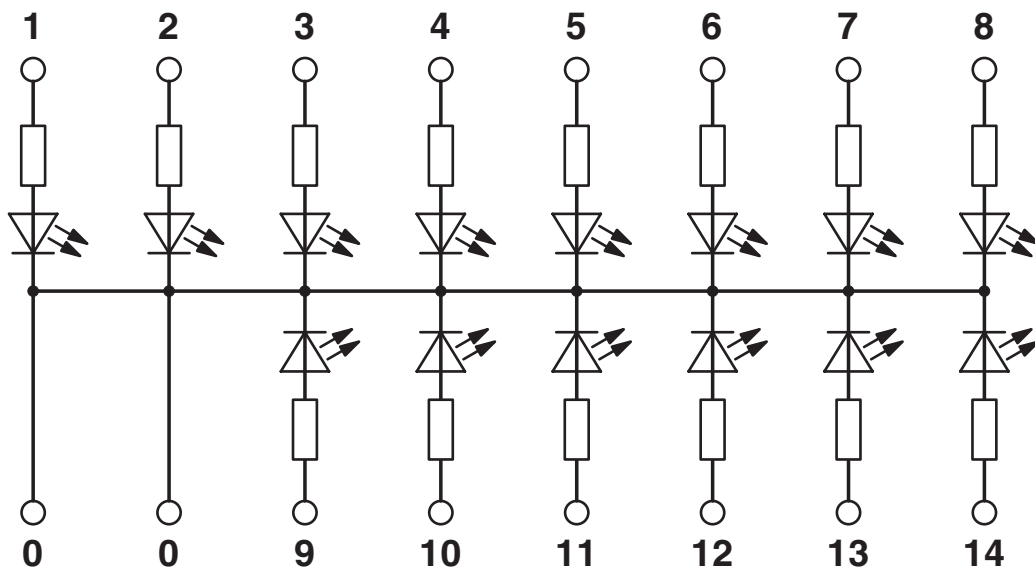
EMG 45-LED 14S/24 - Display module

2952334

<https://www.phoenixcontact.com/us/products/2952334>

Drawings

Circuit diagram



EMG 45-LED 14S/24 - Display module



2952334

<https://www.phoenixcontact.com/us/products/2952334>

Classifications

UNSPSC

UNSPSC 21.0	39101628
-------------	----------

EMG 45-LED 14S/24 - Display module



2952334

<https://www.phoenixcontact.com/us/products/2952334>

Environmental product compliance

China RoHS

Environment friendly use period (EFUP)	EFUP-50
	An article-related China RoHS declaration table can be found in the download area for the respective article under "Manufacturer declaration". For all articles with EFUP-E, no China RoHS declaration table issued and required.

EU REACH SVHC

REACH candidate substance (CAS No.)	No substance above 0.1 wt%
-------------------------------------	----------------------------

Phoenix Contact 2026 © - all rights reserved
<https://www.phoenixcontact.com>

Phoenix Contact USA
586 Fulling Mill Road
Middletown, PA 17057, United States
(+717) 944-1300
info@phoenixcon.com