

# EMG 22-LED 7S/24 - Display module

2952305

<https://www.phoenixcontact.com/us/products/2952305>

Please be informed that the data shown in this PDF document is generated from our online catalog. Please find the complete data in the user documentation. Our general terms of use for downloads are valid.

Indicator module, with 7 red LEDs and common return line, input voltage 24 V DC



## Commercial data

Item number	2952305
Packing unit	1 pc
Note	Made to order (non-returnable)
Sales key	C440
Product key	DK66M2
GTIN	4017918084400
Weight per piece (including packing)	50.03 g
Weight per piece (excluding packing)	50.03 g
Customs tariff number	85318070
Country of origin	DE

# EMG 22-LED 7S/24 - Display module



2952305

<https://www.phoenixcontact.com/us/products/2952305>

## Technical data

### Product properties

Product type	Display module
Indication elements	7 red LEDs and shared return line

### Electrical properties

Current required per light indicator	approx. 3 mA
--------------------------------------	--------------

### Input data

Input voltage	24 V DC
Current required per light indicator	approx. 3 mA
Indication elements	7 red LEDs and shared return line

### Connection data

Connection method	Screw connection
Stripping length	8 mm
Screw thread	M3
Conductor cross-section rigid	0.2 mm <sup>2</sup> ... 4 mm <sup>2</sup>
Conductor cross-section flexible	0.2 mm <sup>2</sup> ... 2.5 mm <sup>2</sup>
Conductor cross-section AWG	24 ... 12

### Signaling

Status display	7 red LEDs and shared return line
----------------	-----------------------------------

### Dimensions

Width	22.5 mm
Height	75 mm
Depth	47.5 mm

### Environmental and real-life conditions

#### Ambient conditions

Ambient temperature (operation)	-20 °C ... 45 °C
Ambient temperature (storage/transport)	-40 °C ... 60 °C

### Mounting

Mounting type	DIN rail mounting
Assembly note	in rows with zero spacing
Mounting position	any

# EMG 22-LED 7S/24 - Display module

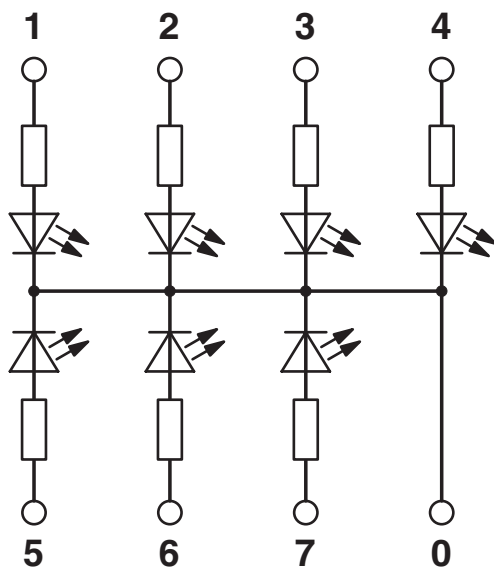
2952305

<https://www.phoenixcontact.com/us/products/2952305>



## Drawings

Circuit diagram



# EMG 22-LED 7S/24 - Display module

2952305

<https://www.phoenixcontact.com/us/products/2952305>



## Classifications

### UNSPSC

UNSPSC 21.0	39101628
-------------	----------

# EMG 22-LED 7S/24 - Display module



2952305

<https://www.phoenixcontact.com/us/products/2952305>

## Environmental product compliance

### China RoHS

Environment friendly use period (EFUP)	EFUP-50
	An article-related China RoHS declaration table can be found in the download area for the respective article under "Manufacturer declaration". For all articles with EFUP-E, no China RoHS declaration table issued and required.

### EU REACH SVHC

REACH candidate substance (CAS No.)	No substance above 0.1 wt%
-------------------------------------	----------------------------

Phoenix Contact 2026 © - all rights reserved  
<https://www.phoenixcontact.com>

Phoenix Contact USA  
586 Fulling Mill Road  
Middletown, PA 17057, United States  
(+717) 944-1300  
[info@phoenixcon.com](mailto:info@phoenixcon.com)