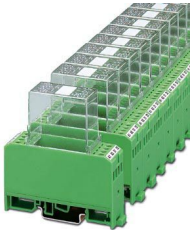


EMG 22-RELS/K1-G 24 - Relay base

2950394

<https://www.phoenixcontact.com/us/products/2950394>

Please be informed that the data shown in this PDF document is generated from our online catalog. Please find the complete data in the user documentation. Our general terms of use for downloads are valid.



Relay module with plug-in base for KAMMRELAIS® size 1, contact: B 104, 2 changeover contacts, input voltage 24-48 V DC, with LED display, freewheeling and polarity protection diode

The figure shows version EMG 22-RELS, with plug-in socket for cradle relay, size 1

Commercial data

Item number	2950394
Packing unit	1 pc
Note	Made to order (non-returnable)
Sales key	C460
Product key	DK6131
GTIN	4017918084035
Weight per piece (including packing)	56.75 g
Weight per piece (excluding packing)	56.75 g
Customs tariff number	85364190
Country of origin	DE

EMG 22-RELS/K1-G 24 - Relay base



2950394

<https://www.phoenixcontact.com/us/products/2950394>

Technical data

Product properties

Product type	Relay socket
--------------	--------------

Input data

Nominal input voltage U_N	24 V DC
	24 V DC

Connection data

Input side

Connection method	Screw connection
Stripping length	8 mm
Screw thread	M3
Conductor cross-section rigid	0.2 mm ² ... 4 mm ²
Conductor cross-section flexible	0.2 mm ² ... 2.5 mm ²
Conductor cross-section AWG	24 ... 12

Output side

Connection method	Screw connection
Stripping length	8 mm
Screw thread	M3
Conductor cross-section rigid	0.2 mm ² ... 4 mm ²
Conductor cross-section flexible	0.2 mm ² ... 2.5 mm ²
Conductor cross-section AWG	24 ... 12

Dimensions

Width	22.5 mm
Height	75 mm
Depth	82.5 mm

Material specifications

Color	green (RAL 6021)
Insulating material	PC-F

Environmental and real-life conditions

Ambient conditions

Ambient temperature (operation)	-20 °C ... 50 °C
Ambient temperature (storage/transport)	-20 °C ... 70 °C

Standards and regulations

Standards/regulations	DIN VDE 0110b, Gr. C for 250 V DC
	DIN VDE 0160 (in relevant parts)

EMG 22-RELS/K1-G 24 - Relay base



2950394

<https://www.phoenixcontact.com/us/products/2950394>

Mounting

Mounting type	DIN rail mounting
Assembly note	in rows with zero spacing
Mounting position	any

EMG 22-RELS/K1-G 24 - Relay base

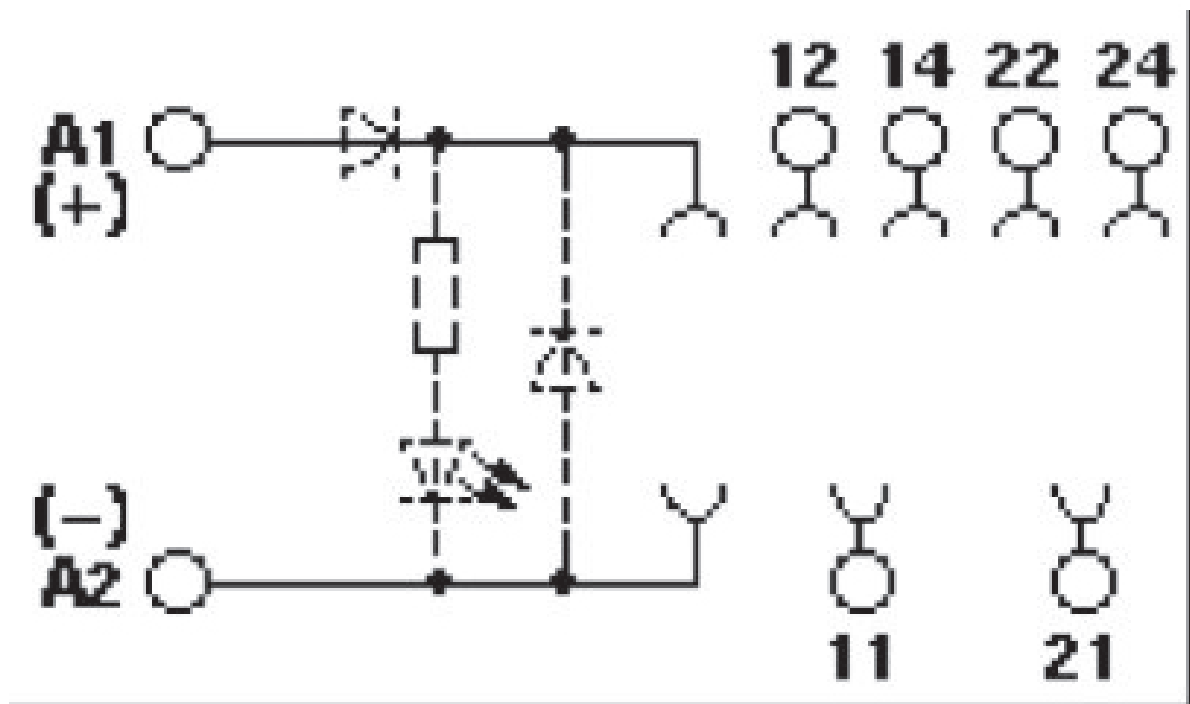


2950394

<https://www.phoenixcontact.com/us/products/2950394>

Drawings

Circuit diagram



EMG 22-RELS/K1-G 24 - Relay base



2950394

<https://www.phoenixcontact.com/us/products/2950394>

Environmental product compliance

EU RoHS

Fulfills EU RoHS substance requirements	Yes, No exemptions
---	--------------------

China RoHS

Environment friendly use period (EFUP)	EFUP-50
	An article-related China RoHS declaration table can be found in the download area for the respective article under "Manufacturer declaration". For all articles with EFUP-E, no China RoHS declaration table issued and required.

EU REACH SVHC

REACH candidate substance (CAS No.)	No substance above 0.1 wt%
-------------------------------------	----------------------------

Phoenix Contact 2026 © - all rights reserved

<https://www.phoenixcontact.com>

Phoenix Contact USA
586 Fulling Mill Road
Middletown, PA 17057, United States
(+717) 944-1300
info@phoenixcon.com