

# EMG 45-DIO14M/LP - Diode block

2950132

<https://www.phoenixcontact.com/us/products/2950132>

Please be informed that the data shown in this PDF document is generated from our online catalog. Please find the complete data in the user documentation. Our general terms of use for downloads are valid.

Lamp test module, 2 diodes with common cathode: with 7 pairs, with common triggering



## Commercial data

Item number	2950132
Packing unit	5 pc
Minimum order quantity	1 pc
Sales key	C440
Product key	DK66M1
GTIN	4017918083984
Weight per piece (including packing)	86.886 g
Weight per piece (excluding packing)	86 g
Customs tariff number	85411000
Country of origin	DE

# EMG 45-DIO14M/LP - Diode block



2950132

<https://www.phoenixcontact.com/us/products/2950132>

## Technical data

### Product properties

Product type	Lamp testing module
--------------	---------------------

### Insulation characteristics

Pollution degree	2
------------------	---

### Input data

#### Diode

Description of the input	14 diodes, groups of 2 diodes with common cathode. Version: With 7 pairs, with common triggering
Diode type	1 N 4007
Max. operating voltage $U_{max}$	250 V AC
Peak reverse voltage per diode	1300 V
Reverse current per diode	$\leq 5 \mu\text{A}$
Conducting state voltage per diode	approx. 0.8 V
Conducting state current per diode	0.7 A (with single load) 0.2 A (with simultaneous loads)

### Connection data

Connection method	Screw connection
Stripping length	8 mm
Screw thread	M3
Conductor cross-section rigid	0.2 mm <sup>2</sup> ... 4 mm <sup>2</sup>
Conductor cross-section flexible	0.2 mm <sup>2</sup> ... 2.5 mm <sup>2</sup>
Conductor cross-section AWG	24 ... 12

### Dimensions

Width	45 mm
Height	75 mm
Depth	55 mm

### Material specifications

Color	green (RAL 6021)
-------	------------------

### Environmental and real-life conditions

#### Ambient conditions

Ambient temperature (operation)	-20 °C ... 50 °C
Ambient temperature (storage/transport)	-40 °C ... 70 °C

### Approvals

CE

# EMG 45-DIO14M/LP - Diode block



2950132

<https://www.phoenixcontact.com/us/products/2950132>

Certificate	CE-compliant
Note	and EN 61326

## Standards and regulations

Standards/regulations	DIN EN 50178
-----------------------	--------------

## Mounting

Mounting type	DIN rail mounting
Assembly note	in rows with zero spacing
Mounting position	any

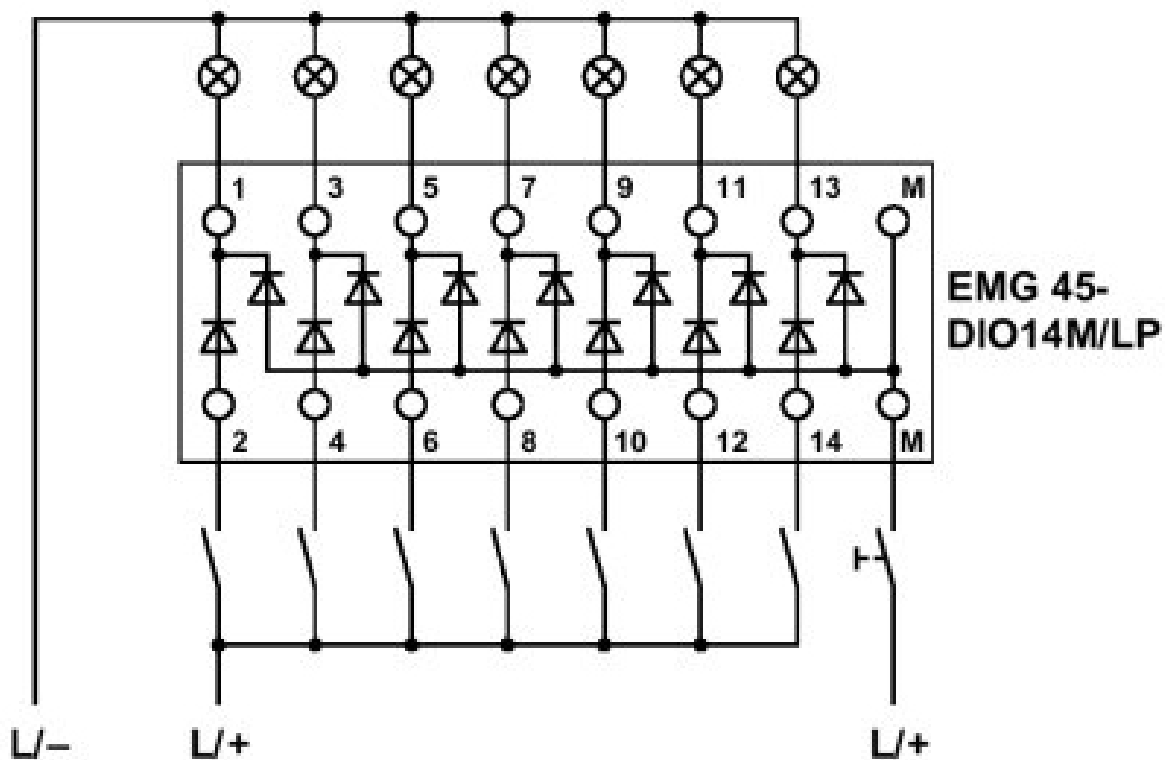
# EMG 45-DIO14M/LP - Diode block

2950132

<https://www.phoenixcontact.com/us/products/2950132>

## Drawings

Application drawing

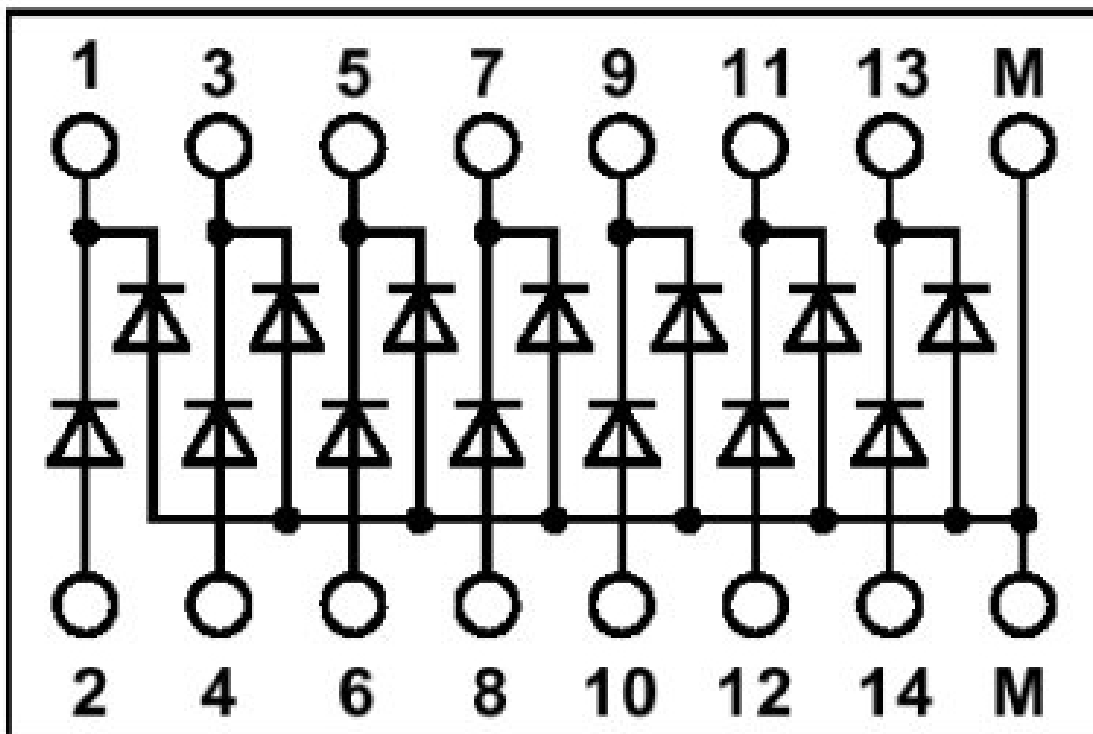


# EMG 45-DIO14M/LP - Diode block

2950132

<https://www.phoenixcontact.com/us/products/2950132>

Circuit diagram



# EMG 45-DIO14M/LP - Diode block



2950132

<https://www.phoenixcontact.com/us/products/2950132>

## Approvals

To download certificates, visit the product detail page: <https://www.phoenixcontact.com/us/products/2950132>



**EAC**

Approval ID: RU\*DE\*08.B.01841/19

# EMG 45-DIO14M/LP - Diode block



2950132

<https://www.phoenixcontact.com/us/products/2950132>

## Classifications

### ECLASS

ECLASS-13.0	27371010
ECLASS-15.0	27371010

### ETIM

ETIM 10.0	EC000683
-----------	----------

### UNSPSC

UNSPSC 21.0	32151500
-------------	----------

# EMG 45-DIO14M/LP - Diode block



2950132

<https://www.phoenixcontact.com/us/products/2950132>

## Environmental product compliance

### EU RoHS

Fulfills EU RoHS substance requirements	Yes
Exemption	7(a), 7(c)-I

### China RoHS

Environment friendly use period (EFUP)	EFUP-50
	An article-related China RoHS declaration table can be found in the download area for the respective article under "Manufacturer declaration". For all articles with EFUP-E, no China RoHS declaration table issued and required.

### EU REACH SVHC

REACH candidate substance (CAS No.)	Lead(CAS: 7439-92-1)
SCIP	b9e5d213-d515-410e-a69e-341c5384f865

### EF3.1 Climate Change

CO2e kg	1.285 kg CO2e
---------	---------------

Phoenix Contact 2026 © - all rights reserved  
<https://www.phoenixcontact.com>

Phoenix Contact USA  
586 Fulling Mill Road  
Middletown, PA 17057, United States  
(+717) 944-1300  
[info@phoenixcon.com](mailto:info@phoenixcon.com)