

# EMG 17-REL/KSR-G 24/SO38 BK - Relay



2949994

<https://www.phoenixcontact.com/us/products/2949994>

Please be informed that the data shown in this PDF document is generated from our online catalog. Please find the complete data in the user documentation. Our general terms of use for downloads are valid.

Relay module for high inrush currents, with soldered-in relay, contacts (AgSnO<sup>2</sup> + capacitive W): medium to large loads, 1 N/O contact, input voltage 24 V DC, max. inrush current 80 A



## Your advantages

- Can be snapped onto standard EN DIN rails
- Clear terminal marking using Phoenix Contact labeling material
- Modular DIN-rail mountable EMG housing with 17.5 mm design width
- User-friendly plug-in housing
- Easy maintenance

## Commercial data

Item number	2949994
Packing unit	1 pc
Note	Made to order (non-returnable)
Sales key	C460
Product key	DK61CY
GTIN	4017918083915
Weight per piece (including packing)	49.05 g
Weight per piece (excluding packing)	47.4 g
Customs tariff number	85364190
Country of origin	DE

## Technical data

### Product properties

Product type	Relay Module
Application	high inrush currents
Mechanical service life	approx. $10^7$ cycles

### Insulation characteristics

Insulation	safe isolation
Overvoltage category	III
Pollution degree	2

### Data management status

Date of last data management	12.09.2025
------------------------------	------------

### Electrical properties

Maximum power dissipation for nominal condition	0.67 W
Test voltage (Winding/contact)	4 kV AC (50 Hz, 1 min., winding/contact)

### Input data

#### Coil side

Nominal input voltage $U_N$	24 V DC
Input voltage range	20.4 V DC ... 26.4 V DC (20 °C)
Drive and function	monostable
Typical input current at $U_N$	28 mA
Typical response time	13 ms
Typical release time	15 ms
Protective circuit	Freewheeling diode; Freewheeling diode
Operating voltage display	Yellow LED

### Output data

#### Switching

Contact switching type	1 N/O contact with lead contact
Type of switch contact	Lead contact
Contact material	AgSnO <sub>2</sub>
Note	Main contact silver tin oxide (AgSnO <sub>2</sub> ): lead contact tungsten
Maximum switching voltage	250 V AC
Limiting continuous current	10 A
Maximum inrush current	80 A (20 ms)
Interrupting rating (ohmic load) max.	2500 VA (for 250 V AC)

### Connection data

#### Coil side

# EMG 17-REL/KSR-G 24/SO38 BK - Relay



2949994

<https://www.phoenixcontact.com/us/products/2949994>

Connection method	Screw connection
Stripping length	8 mm
Screw thread	M3
Conductor cross-section rigid	0.2 mm <sup>2</sup> ... 4 mm <sup>2</sup>
Conductor cross-section flexible	0.2 mm <sup>2</sup> ... 2.5 mm <sup>2</sup>
Conductor cross-section AWG	24 ... 12

## Contact side

Connection method	Screw connection
Stripping length	8 mm
Screw thread	M3
Conductor cross-section rigid	0.2 mm <sup>2</sup> ... 4 mm <sup>2</sup>
Conductor cross-section flexible	0.2 mm <sup>2</sup> ... 2.5 mm <sup>2</sup>
Conductor cross-section AWG	24 ... 12

## Material specifications

Color	black (RAL 9005)
-------	------------------

## Environmental and real-life conditions

### Ambient conditions

Ambient temperature (operation)	-20 °C ... 50 °C
Ambient temperature (storage/transport)	-20 °C ... 70 °C

## Standards and regulations

Standards/regulations	IEC 60664
	EN 50178

## Mounting

Mounting type	DIN rail mounting
Mounting position	any

# EMG 17-REL/KSR-G 24/SO38 BK - Relay

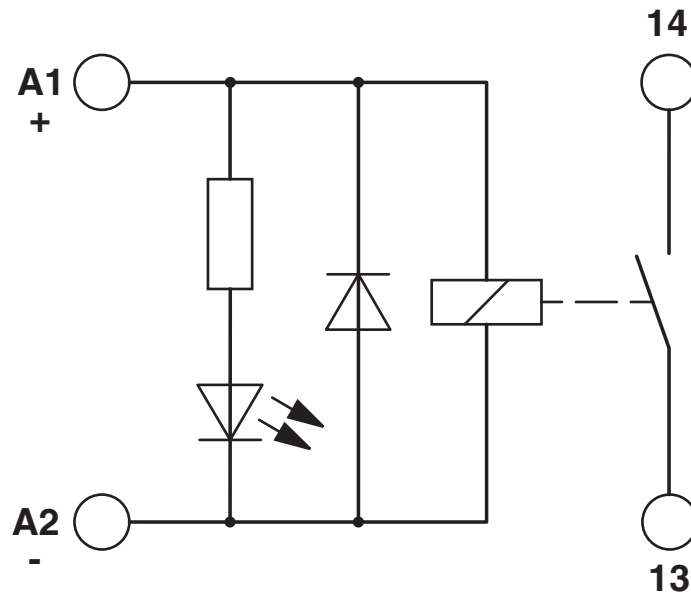
2949994

<https://www.phoenixcontact.com/us/products/2949994>



## Drawings

Circuit diagram



# EMG 17-REL/KSR-G 24/SO38 BK - Relay



2949994

<https://www.phoenixcontact.com/us/products/2949994>

## Classifications

### UNSPSC

UNSPSC 21.0	39122300
-------------	----------

2949994

<https://www.phoenixcontact.com/us/products/2949994>

## Environmental product compliance

### EU RoHS

Fulfills EU RoHS substance requirements	Yes
Exemption	7(a)

### China RoHS

Environment friendly use period (EFUP)	EFUP-50
	An article-related China RoHS declaration table can be found in the download area for the respective article under "Manufacturer declaration". For all articles with EFUP-E, no China RoHS declaration table issued and required.

### EU REACH SVHC

REACH candidate substance (CAS No.)	Lead(CAS: 7439-92-1)
-------------------------------------	----------------------

Phoenix Contact 2026 © - all rights reserved  
<https://www.phoenixcontact.com>

Phoenix Contact USA  
586 Fulling Mill Road  
Middletown, PA 17057, United States  
(+717) 944-1300  
[info@phoenixcon.com](mailto:info@phoenixcon.com)