

EMG 22-REL/KSR-G 24/TRP 5 - Hybrid relay

2949790

<https://www.phoenixcontact.com/us/products/2949790>

Please be informed that the data shown in this PDF document is generated from our online catalog. Please find the complete data in the user documentation. Our general terms of use for downloads are valid.



Relay module, with miniature switching relay, with integrated PNP transistor control, for low control currents, contact (AgNi): medium to large loads, 1 changeover contact, nominal control voltage 5 V DC

The figure shows version EMG 22,5 REL, with integrated p-n-p transistor control

Your advantages

- Low control current (terminal block B), type-dependent from 0.5 mA
- Safe isolation between coil and contact side
- Integrated input circuit and interference suppression circuit
- Type-dependent positive or negative control current

Commercial data

Item number	2949790
Packing unit	1 pc
Note	Made to order (non-returnable)
Sales key	C460
Product key	DK61A1
GTIN	4017918083878
Weight per piece (including packing)	65.41 g
Weight per piece (excluding packing)	65.38 g
Customs tariff number	85364190
Country of origin	DE

EMG 22-REL/KSR-G 24/TRP 5 - Hybrid relay



2949790

<https://www.phoenixcontact.com/us/products/2949790>

Technical data

Product properties

Product type	Relay Module
Application	Universal
Operating mode	100% operating factor
Mechanical service life	approx. 5×10^7 cycles

Insulation characteristics

Insulation	Basic insulation
Overvoltage category	III
Pollution degree	2

Data management status

Date of last data management	01.04.2026
------------------------------	------------

Electrical properties

Maximum power dissipation for nominal condition	0.5 W
Test voltage (Winding/contact)	4 kV AC (50 Hz, 1 min., winding/contact)

Input data

Coil side

Nominal input voltage U_N	24 V DC
Input voltage range	21.6 V DC ... 26.4 V DC
Input voltage range in reference to U_N	0.9 ... 1.1
Drive and function	monostable
Typical input current at U_N	21 mA
Typical response time	9 ms
Typical release time	10 ms
Protective circuit	Reverse polarity protection; Polarity protection diode Freewheeling diode; Freewheeling diode
Operating voltage display	Yellow LED
Nominal control voltage	5 V DC
Minimum control voltage	-2.4 V DC
Maximum control voltage	-5.25 V DC
Minimum control current	1.2 mA
Maximum control current	1.7 mA

Control

Nominal control voltage	5 V DC
Minimum control voltage	-2.4 V DC
Maximum control voltage	-5.25 V DC
Minimum control current	1.2 mA
Maximum control current	1.7 mA

EMG 22-REL/KSR-G 24/TRP 5 - Hybrid relay



2949790

<https://www.phoenixcontact.com/us/products/2949790>

Output data

Switching

Contact switching type	Single contact, 1 changeover contact
Type of switch contact	Single contact
Contact material	AgNi
Maximum switching voltage	250 V AC/DC
Limiting continuous current	5 A
Maximum inrush current	8 A
Interrupting rating (ohmic load) max.	120 W (at 24 V DC) 60 W (at 48 V DC) 50 W (at 60 V DC) 50 W (at 110 V DC) 80 W (at 220 V DC) 1250 VA (for 250 V AC)

Connection data

Coil side

Connection method	Screw connection
Stripping length	8 mm
Screw thread	M3
Conductor cross-section rigid	0.2 mm ² ... 4 mm ²
Conductor cross-section flexible	0.2 mm ² ... 2.5 mm ²
Conductor cross-section AWG	24 ... 12

Contact side

Connection method	Screw connection
Stripping length	8 mm
Screw thread	M3
Conductor cross-section rigid	0.2 mm ² ... 4 mm ²
Conductor cross-section flexible	0.2 mm ² ... 2.5 mm ²
Conductor cross-section AWG	24 ... 12

Dimensions

Width	22.5 mm
Height	75 mm
Depth	62.5 mm

Material specifications

Color	green (RAL 6021)
-------	------------------

Environmental and real-life conditions

Ambient conditions

Ambient temperature (operation)	-20 °C ... 50 °C
---------------------------------	------------------

EMG 22-REL/KSR-G 24/TRP 5 - Hybrid relay



2949790

<https://www.phoenixcontact.com/us/products/2949790>

Ambient temperature (storage/transport)	-20 °C ... 70 °C
---	------------------

Standards and regulations

Standards/regulations	IEC 60664
	IEC 60664-1

Mounting

Mounting type	DIN rail mounting
Assembly note	in rows with zero spacing
Mounting position	any

EMG 22-REL/KSR-G 24/TRP 5 - Hybrid relay

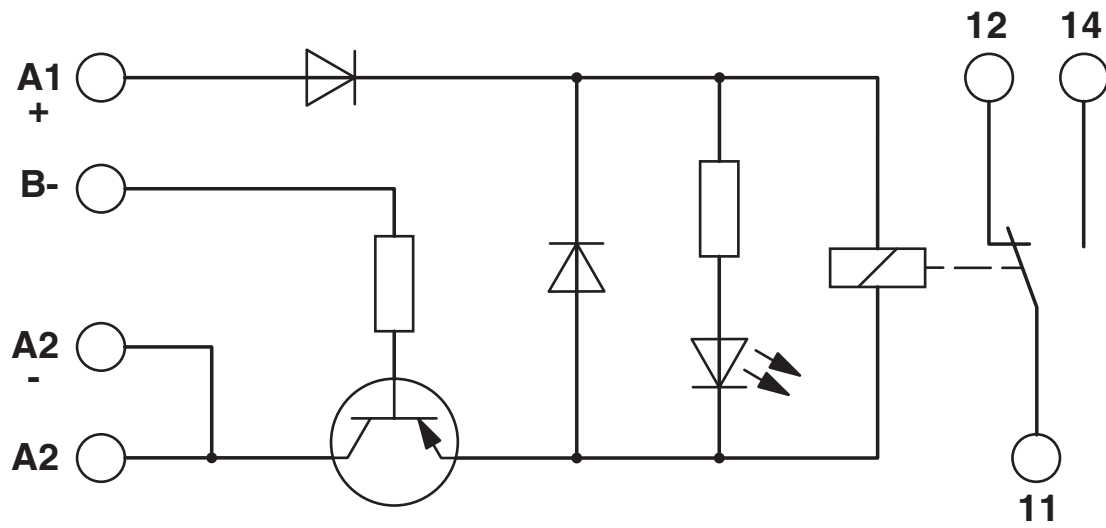


2949790

<https://www.phoenixcontact.com/us/products/2949790>

Drawings

Circuit diagram



EMG 22-REL/KSR-G 24/TRP 5 - Hybrid relay



2949790

<https://www.phoenixcontact.com/us/products/2949790>

Environmental product compliance

China RoHS

Environment friendly use period (EFUP)	EFUP-50
	An article-related China RoHS declaration table can be found in the download area for the respective article under "Manufacturer declaration". For all articles with EFUP-E, no China RoHS declaration table issued and required.

EU REACH SVHC

REACH candidate substance (CAS No.)	No substance above 0.1 wt%
-------------------------------------	----------------------------

Phoenix Contact 2026 © - all rights reserved
<https://www.phoenixcontact.com>

Phoenix Contact USA
586 Fulling Mill Road
Middletown, PA 17057, United States
(+717) 944-1300
info@phoenixcon.com