

EMG 22-REL/KSR-G 24/TRN 5 - Hybrid relay



2949787

<https://www.phoenixcontact.com/us/products/2949787>

Please be informed that the data shown in this PDF document is generated from our online catalog. Please find the complete data in the user documentation. Our general terms of use for downloads are valid.



Relay module, with miniature switching relay, with integrated NPN transistor control, for low control currents, contact (AgNi): medium to large loads, 1 changeover contact, 5 V DC nominal control voltage

The figure shows version EMG 22,5 REL, with integrated n-p-n transistor control

Your advantages

- Low control current (terminal block B), type-dependent from 0.5 mA
- Safe isolation between coil and contact side
- Type-dependent positive or negative control current
- Integrated input circuit and interference suppression circuit

Commercial data

Item number	2949787
Packing unit	10 pc
Minimum order quantity	1 pc
Sales key	C460
Product key	DK61C2
GTIN	4017918083861
Weight per piece (including packing)	62.14 g
Weight per piece (excluding packing)	62.14 g
Customs tariff number	85364190
Country of origin	DE

EMG 22-REL/KSR-G 24/TRN 5 - Hybrid relay



2949787

<https://www.phoenixcontact.com/us/products/2949787>

Technical data

Notes

Utilization restriction

EMC note	EMC: class A product, see manufacturer's declaration in the download area
----------	---

Product properties

Product type	Relay Module
Product family	EMG
Application	Universal
Operating mode	100% operating factor
Mechanical service life	approx. 5×10^7 cycles

Insulation characteristics

Insulation	Basic insulation
Overvoltage category	III
Pollution degree	2

Data management status

Date of last data management	01.04.2026
------------------------------	------------

Electrical properties

Maximum power dissipation for nominal condition	0.5 W
Test voltage (Winding/contact)	4 kV AC (50 Hz, 1 min., winding/contact)

Input data

Coil side

Nominal input voltage U_N	24 V DC
Input voltage range	21.6 V DC ... 26.4 V DC (20 °C)
Drive and function	monostable
Drive (polarity)	polarized
Typical input current at U_N	21 mA
Typical response time	9 ms
Typical release time	10 ms
Protective circuit	Reverse polarity protection; Polarity protection diode Freewheeling diode; Freewheeling diode
Operating voltage display	Yellow LED
Nominal control voltage	5 V DC
Minimum control voltage	2.7 V DC
Maximum control voltage	5.25 V DC
Minimum control current	2.6 mA
Maximum control current	7.7 mA

EMG 22-REL/KSR-G 24/TRN 5 - Hybrid relay



2949787

<https://www.phoenixcontact.com/us/products/2949787>

Output data

Switching

Contact switching type	1 changeover contact
Type of switch contact	Single contact
Contact material	AgNi
Maximum switching voltage	250 V AC/DC
Limiting continuous current	5 A
Maximum inrush current	8 A
Interrupting rating (ohmic load) max.	120 W (at 24 V DC)
	60 W (at 48 V DC)
	50 W (at 60 V DC)
	50 W (at 110 V DC)
	80 W (at 220 V DC)
	1250 VA (for 250 V AC)

Connection data

Coil side

Connection method	Screw connection
Stripping length	8 mm
Screw thread	M3
Conductor cross-section rigid	0.2 mm ² ... 4 mm ²
Conductor cross-section flexible	0.2 mm ² ... 2.5 mm ²
Conductor cross-section AWG	24 ... 12

Contact side

Connection method	Screw connection
Stripping length	8 mm
Screw thread	M3
Conductor cross-section rigid	0.2 mm ² ... 4 mm ²
Conductor cross-section flexible	0.2 mm ² ... 2.5 mm ²
Conductor cross-section AWG	24 ... 12

Dimensions

Item dimensions

Width	22.5 mm
Height	75 mm
Depth	62.5 mm

Material specifications

Color	green (RAL 6021)
-------	------------------

Environmental and real-life conditions

EMG 22-REL/KSR-G 24/TRN 5 - Hybrid relay



2949787

<https://www.phoenixcontact.com/us/products/2949787>

Ambient conditions

Ambient temperature (operation)	-20 °C ... 50 °C
Ambient temperature (storage/transport)	-20 °C ... 70 °C

Standards and regulations

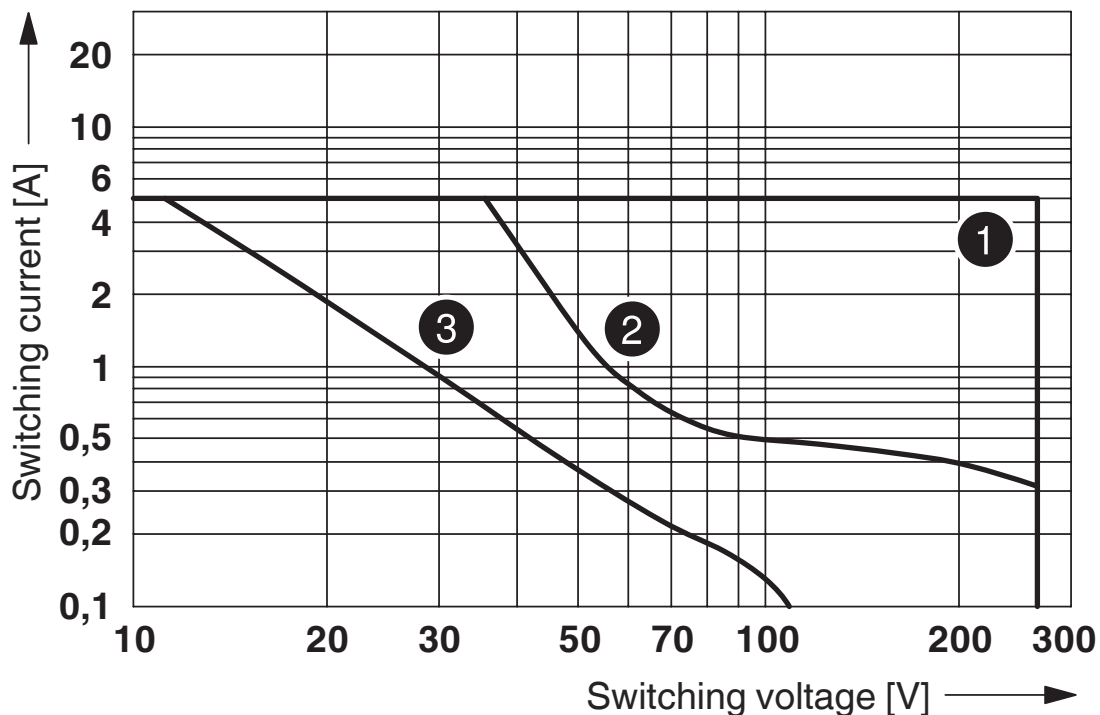
Standards/regulations	IEC 60664
	IEC 60664-1

Mounting

Mounting type	DIN rail mounting
Mounting position	any

Drawings

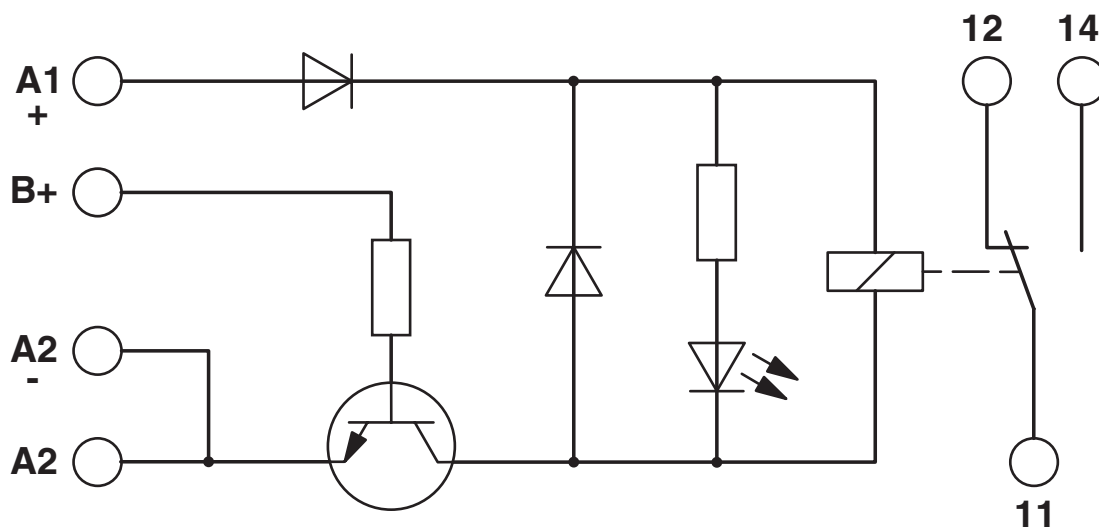
Diagram



- ① AC, ohmic load
- ② DC, ohmic load
- ③ DC, L/R = 40 ms

Interrupting rating

Circuit diagram



EMG 22-REL/KSR-G 24/TRN 5 - Hybrid relay



2949787

<https://www.phoenixcontact.com/us/products/2949787>

Approvals

To download certificates, visit the product detail page: <https://www.phoenixcontact.com/us/products/2949787>



EAC

Approval ID: RU*C-DE.*08.B.00010

EMG 22-REL/KSR-G 24/TRN 5 - Hybrid relay



2949787

<https://www.phoenixcontact.com/us/products/2949787>

Classifications

ECLASS

ECLASS-13.0	27371601
ECLASS-15.0	27371601

ETIM

ETIM 10.0	EC001437
-----------	----------

UNSPSC

UNSPSC 21.0	39122300
-------------	----------

EMG 22-REL/KSR-G 24/TRN 5 - Hybrid relay



2949787

<https://www.phoenixcontact.com/us/products/2949787>

Environmental product compliance

EU RoHS

Fulfills EU RoHS substance requirements	Yes
Exemption	6(c), 7(a), 7(c)-I

China RoHS

Environment friendly use period (EFUP)	EFUP-50
	An article-related China RoHS declaration table can be found in the download area for the respective article under "Manufacturer declaration". For all articles with EFUP-E, no China RoHS declaration table issued and required.

EU REACH SVHC

REACH candidate substance (CAS No.)	Lead(CAS: 7439-92-1)
SCIP	81934925-6378-4b1d-aa51-ebfa485b94f0

EF3.1 Climate Change

CO2e kg	0.788 kg CO2e
---------	---------------

Phoenix Contact 2026 © - all rights reserved
<https://www.phoenixcontact.com>

Phoenix Contact USA
586 Fulling Mill Road
Middletown, PA 17057, United States
(+717) 944-1300
info@phoenixcon.com