

# EMG 45-DIO 8E-1N5408 - Diode block



2949389

<https://www.phoenixcontact.com/us/products/2949389>

Please be informed that the data shown in this PDF document is generated from our online catalog. Please find the complete data in the user documentation. Our general terms of use for downloads are valid.



Diode module, with eight diodes, can be individually wired, diode type 1N 5408

## Your advantages

- Electrical decoupling of messages in fault reporting systems
- Spark-suppression diodes for limiting surge voltages of inductive loads

## Commercial data

Item number	2949389
Packing unit	5 pc
Minimum order quantity	1 pc
Sales key	C440
Product key	DK66M1
GTIN	4017918083779
Weight per piece (including packing)	91.84 g
Weight per piece (excluding packing)	91.84 g
Customs tariff number	85411000
Country of origin	DE

# EMG 45-DIO 8E-1N5408 - Diode block



2949389

<https://www.phoenixcontact.com/us/products/2949389>

## Technical data

### Product properties

Product type	Diode module
--------------	--------------

### Insulation characteristics

Pollution degree	2
------------------	---

### Input data

#### Diode

Description of the input	8 diodes, individually wired
Diode type	1 N 5408
Max. operating voltage $U_{max}$	250 V AC
Peak reverse voltage per diode	1000 V
Reverse current per diode	10 $\mu$ A
Conducting state voltage per diode	approx. 0.8 V
Conducting state current per diode	1.5 A (with single load) 0.3 A (with simultaneous loads)

### Connection data

Connection method	Screw connection
Stripping length	8 mm
Screw thread	M3
Conductor cross-section rigid	0.2 mm <sup>2</sup> ... 4 mm <sup>2</sup>
Conductor cross-section flexible	0.2 mm <sup>2</sup> ... 2.5 mm <sup>2</sup>
Conductor cross-section AWG	24 ... 12

### Dimensions

Width	45 mm
Height	75 mm
Depth	55 mm

### Material specifications

Color	green (RAL 6021)
-------	------------------

### Environmental and real-life conditions

#### Ambient conditions

Ambient temperature (operation)	-20 °C ... 50 °C
Ambient temperature (storage/transport)	-40 °C ... 70 °C

### Approvals

#### CE

Certificate	CE-compliant
-------------	--------------

# EMG 45-DIO 8E-1N5408 - Diode block



2949389

<https://www.phoenixcontact.com/us/products/2949389>

Note	and EN 61326
------	--------------

## Standards and regulations

Standards/regulations	DIN EN 50178
-----------------------	--------------

## Mounting

Mounting type	DIN rail mounting
Assembly note	in rows with zero spacing
Mounting position	any

# EMG 45-DIO 8E-1N5408 - Diode block

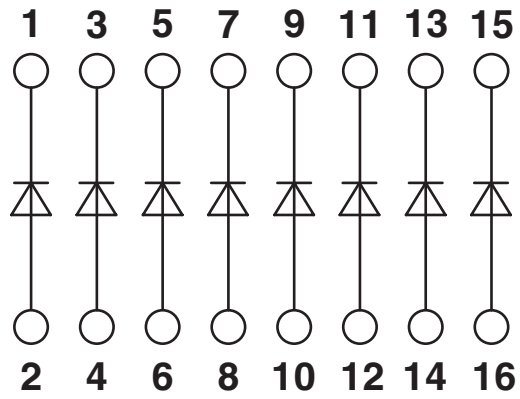
2949389

<https://www.phoenixcontact.com/us/products/2949389>



## Drawings

Circuit diagram



# EMG 45-DIO 8E-1N5408 - Diode block



2949389

<https://www.phoenixcontact.com/us/products/2949389>

## Approvals

To download certificates, visit the product detail page: <https://www.phoenixcontact.com/us/products/2949389>



**EAC**

Approval ID: RU\*DE\*08.B.01841/19

# EMG 45-DIO 8E-1N5408 - Diode block



2949389

<https://www.phoenixcontact.com/us/products/2949389>

## Classifications

### ECLASS

ECLASS-13.0	27371010
ECLASS-15.0	27371010

### ETIM

ETIM 10.0	EC002878
-----------	----------

### UNSPSC

UNSPSC 21.0	32151500
-------------	----------

# EMG 45-DIO 8E-1N5408 - Diode block



2949389

<https://www.phoenixcontact.com/us/products/2949389>

## Environmental product compliance

### EU RoHS

Fulfills EU RoHS substance requirements	Yes
Exemption	7(a)

### China RoHS

Environment friendly use period (EFUP)	EFUP-50
	An article-related China RoHS declaration table can be found in the download area for the respective article under "Manufacturer declaration". For all articles with EFUP-E, no China RoHS declaration table issued and required.

### EU REACH SVHC

REACH candidate substance (CAS No.)	Lead(CAS: 7439-92-1)
SCIP	9c10f9ea-7275-4ee1-b6e5-cc09e13108c7

### EF3.1 Climate Change

CO2e kg	1.304 kg CO2e
---------	---------------

Phoenix Contact 2026 © - all rights reserved  
<https://www.phoenixcontact.com>

Phoenix Contact USA  
586 Fulling Mill Road  
Middletown, PA 17057, United States  
(+717) 944-1300  
[info@phoenixcon.com](mailto:info@phoenixcon.com)